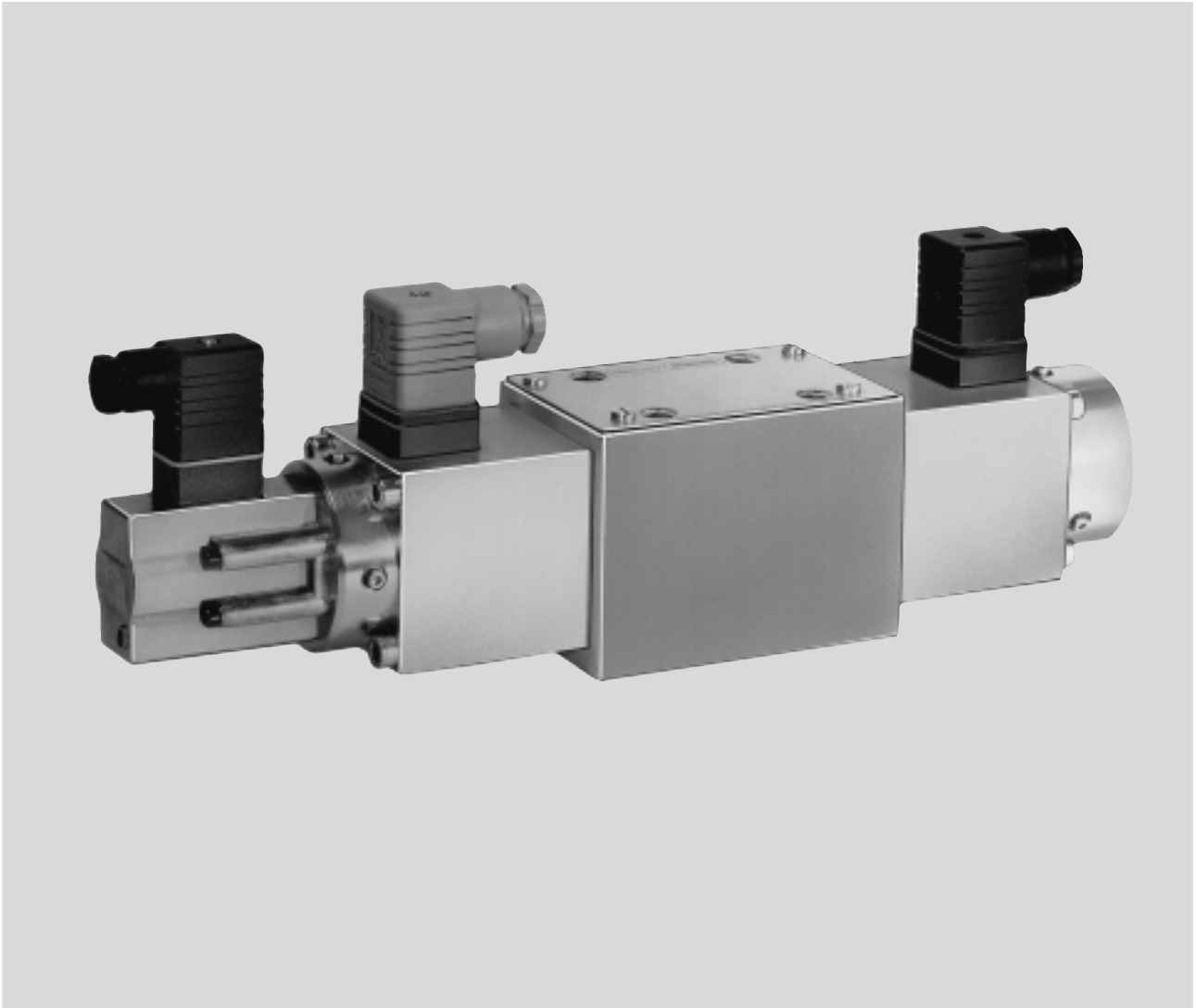




# DENISON HYDRAULICS

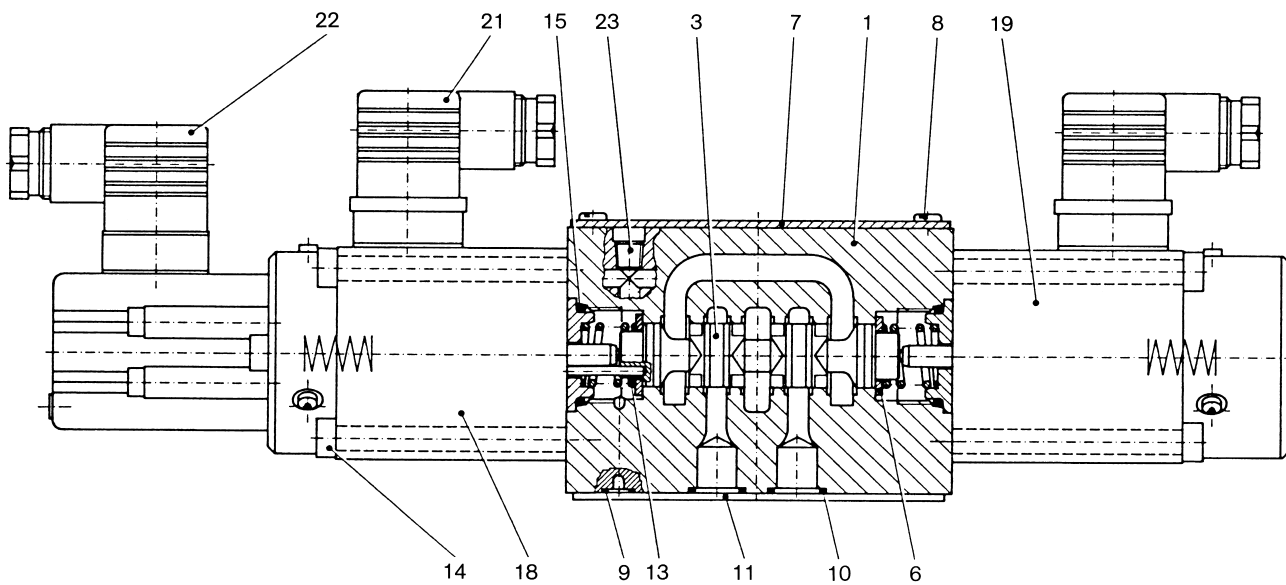
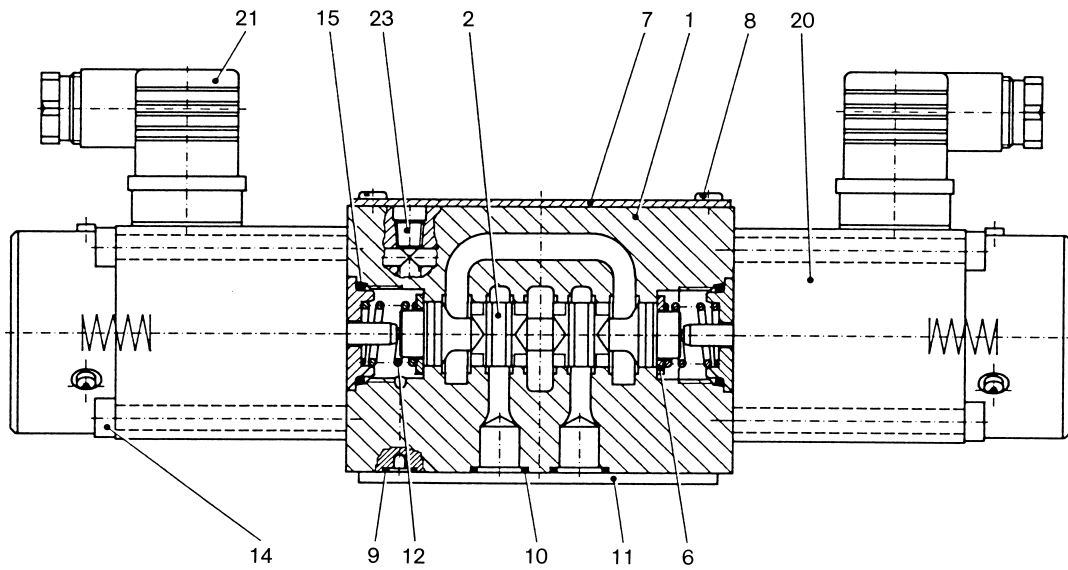
## Proportional Directional & Throttle Valves

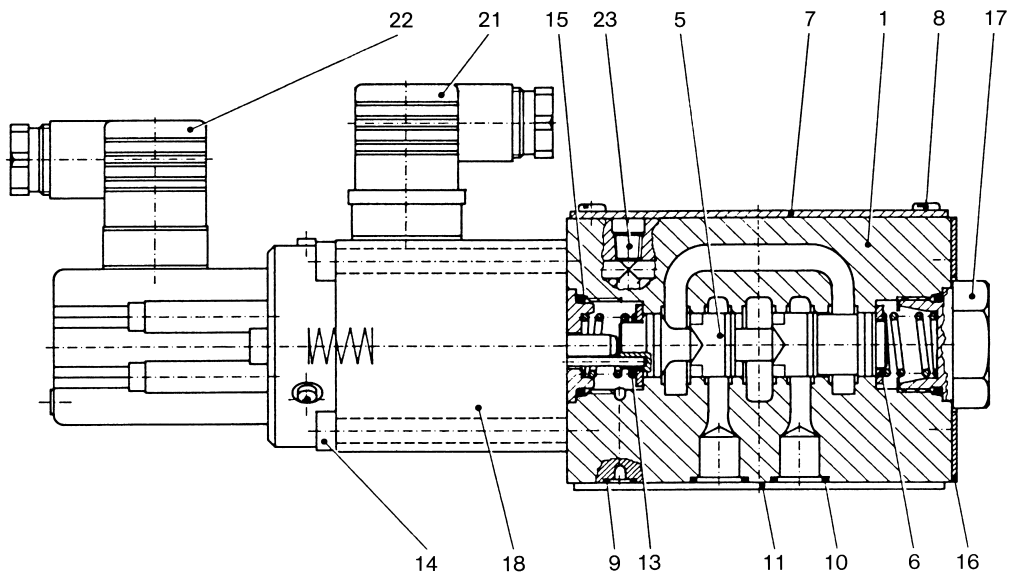
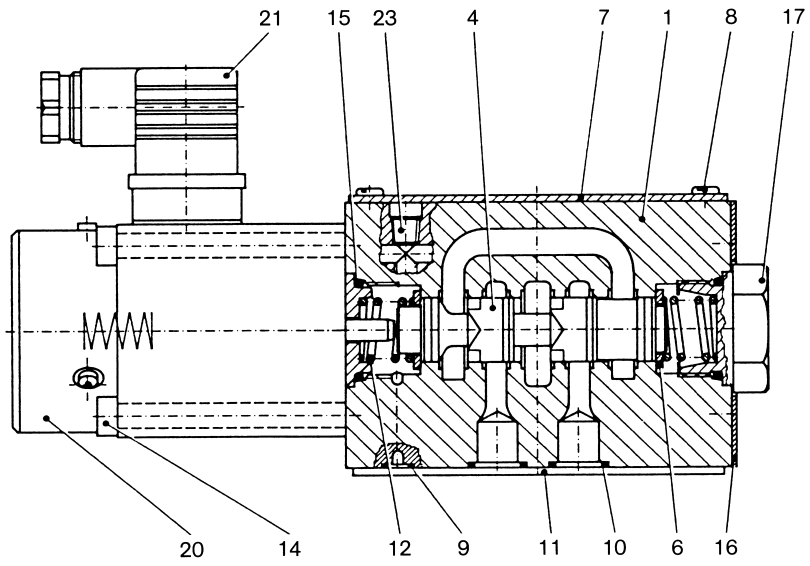
Series 4DP02











Publ. S4-ML 340-B

**DENISON** | **Hydraulics**





Item Pos. Réf. Pos.	 Description	 Benennung	 Description	 Descrizione	Part No. Teil-Nr. Code No. Cod. No.	Qty. Stück Qté.
1	Body	Gehäuse	Corps	Corpo	036-64606	1
2	Spool-Type 02 (D25)	Kolbentyp 02 (D25)	Tiroir-Type 02 (D25)	Cursore-Tipo 02 (D25)	036-64844	1
	02 (D40)	02 (D40)	02 (D40)	02 (D40)	036-64845	1
	02 (D60)	02 (D60)	02 (D60)	02 (D60)	036-64846	1
	02 (Q25)	02 (Q25)	02 (Q25)	02 (Q25)	036-64841	1
	02 (Q40)	02 (Q40)	02 (Q40)	02 (Q40)	036-64842	1
	02 (Q60)	02 (Q60)	02 (Q60)	02 (Q60)	036-64843	1
	43 (D25)	43 (D25)	43 (D25)	43 (D25)	036-64838	1
	43 (D40)	43 (D40)	43 (D40)	43 (D40)	036-64839	1
	43 (D60)	43 (D60)	43 (D60)	43 (D60)	036-64840	1
	43 (Q25)	43 (Q25)	43 (Q25)	43 (Q25)	036-64837	1
	43 (Q40)	43 (Q40)	43 (Q40)	43 (Q40)	036-64579	1
	43 (Q60)	43 (Q60)	43 (Q60)	43 (Q60)	036-64580	1
3	Spool-Type 02 (D25)	Kolbentyp 02 (D25)	Tiroir-Type 02 (D25)	Cursore-Tipo 02 (D25)	S26-34044-0	1
	02 (D40)	02 (D40)	02 (D40)	02 (D40)	S26-34045-0	1
	02 (D60)	02 (D60)	02 (D60)	02 (D60)	S26-34046-0	1
	02 (Q25)	02 (Q25)	02 (Q25)	02 (Q25)	S26-34047-0	1
	02 (Q40)	02 (Q40)	02 (Q40)	02 (Q40)	S26-34048-0	1
	02 (Q60)	02 (Q60)	02 (Q60)	02 (Q60)	S26-34049-0	1
	43 (D25)	43 (D25)	43 (D25)	43 (D25)	S26-34050-0	1
	43 (D40)	43 (D40)	43 (D40)	43 (D40)	S26-34051-0	1
	43 (D60)	43 (D60)	43 (D60)	43 (D60)	S26-34052-0	1
	43 (Q25)	43 (Q25)	43 (Q25)	43 (Q25)	S26-34053-0	1
	43 (Q40)	43 (Q40)	43 (Q40)	43 (Q40)	S26-34054-0	1
	43 (Q60)	43 (Q60)	43 (Q60)	43 (Q60)	S26-34055-0	1
4	Spool-Type 12 (D25)	Kolbentyp 12 (D25)	Tiroir-Type 12 (D25)	Cursore-Tipo 12 (D25)	036-84055	1
	12 (D40)	12 (D40)	12 (D40)	12 (D40)	036-84056	1
	12 (D60)	12 (D60)	12 (D60)	12 (D60)	036-84057	1
	12 (Q25)	12 (Q25)	12 (Q25)	12 (Q25)	036-84052	1
	12 (Q40)	12 (Q40)	12 (Q40)	12 (Q40)	036-84053	1
	12 (Q60)	12 (Q60)	12 (Q60)	12 (Q60)	036-84054	1
	13 (D25)	13 (D25)	13 (D25)	13 (D25)	036-84007	1
	13 (D40)	13 (D40)	13 (D40)	13 (D40)	036-84008	1
	13 (D60)	13 (D60)	13 (D60)	13 (D60)	036-84009	1
	13 (Q25)	13 (Q25)	13 (Q25)	13 (Q25)	036-84004	1
	13 (Q40)	13 (Q40)	13 (Q40)	13 (Q40)	036-84005	1
	13 (Q60)	13 (Q60)	13 (Q60)	13 (Q60)	036-84006	1


Item Pos. Réf. Pos.	 Description	 Benennung	 Description	 Descrizione	Part No. Teil-Nr. Code No. Cod. No.	Qty. Stück Qté. Qtá.
5	Spool-Type 12 (D25)	Kolbentyp 12 (D25)	Tiroir-Type 12 (D25)	Cursore-Tipo 12 (D25)	S26-34273	1
	12 (D40)	12 (D40)	12 (D40)	12 (D40)	S26-34274	1
	12 (D60)	12 (D60)	12 (D60)	12 (D60)	S26-34275	1
	12 (Q25)	12 (Q25)	12 (Q25)	12 (Q25)	S26-34276	1
	12 (Q40)	12 (Q40)	12 (Q40)	12 (Q40)	S26-34277	1
	12 (Q60)	12 (Q60)	12 (Q60)	12 (Q60)	S26-34278	1
	13 (D25)	13 (D25)	13 (D25)	13 (D25)	S26-34038-0	1
	13 (D40)	13 (D40)	13 (D40)	13 (D40)	S26-34039-0	1
	13 (D60)	13 (D60)	13 (D60)	13 (D60)	S26-34040-0	1
	13 (Q25)	13 (Q25)	13 (Q25)	13 (Q25)	S26-34041-0	1
	13 (Q40)	13 (Q40)	13 (Q40)	13 (Q40)	S26-34042-0	1
	13 (Q60)	13 (Q60)	13 (Q60)	13 (Q60)	S26-34043-0	1
6	Washer	Scheibe	Rondelle	Anello	036-64413	2
7	Name plate	Typenschild	Plaque d'identification	Targhetta di identificazione	036-84033	1
8	Screw	Schraube	Vis	Vite	369-06102-8	4
9	O-Ring	Runddichtring	Joint torique	Guarnizione torica	691-00010-0	1
10	O-Ring	Runddichtring	Joint torique	Guarnizione torica	691-00014-0	5
11	Dust plate	Staubplatte	Plaque de protection	Protezione antipolvere	S16-08136	1
12	Spring	Feder	Ressort	Molla	036-64892	2
13	Spring	Feder	Ressort	Molla	036-64882	2
14	Screw M6 x 70	Schraube	Vis	Vite	361-08303-8	4 (8)
15	O-Ring	Runddichtring	Joint torique	Guarnizione torica	691-00119-0	2
16	Cover plate	Abdeckplatte	Chapeau	Piastra di chiusura	036-64822	1
17	Plug	Verschlußschraube	Bouchon	Tappo	S26-34600	1
18	Proportional solenoid 12 V DC with position feedback	Proportionalmagnet 12 V = mit Lageregelung	Solénoïde proportionnel 12 V CC avec capteur	Solenoido proporz. 12 V CC con trasduttore	120-00119-8	1
19	Proportional solenoid 12 V DC	Proportionalmagnet 12 V =	Solénoïde proportionnel 12 V CC	Solenoido proporz. 12 V CC	120-00118-8	1
20	Proportional solenoid 12 V DC	Proportionalmagnet 12 V =	Solénoïde proportionnel 12 V CC	Solenoido proporz. 12 V CC	120-00118-8	1 (2)
	Proportional solenoid 24 V DC	Proportionalmagnet 24 V =	Solénoïde proportionnel 24 V CC	Solenoido proporz. 24 V CC	120-00121-8	1 (2)
21	Plug-in connector "A" (grey)	Gerätesteckdose "A" (grau)	Prise embrochable "A" (grise)	Connettore "A" (grigio)	167-01007-8	1
	Plug-in connector "B" (black)	Gerätesteckdose "B" (schwarz)	Prise embrochable "B" (noire)	Connettore "B" (nero)	167-01008-8	1
22	Plug-in connector "A" (grey)	Gerätesteckdose "A" (grau)	Prise embrochable "A" (grise)	Connettore "A" (grigio)	167-01047-8	1
	Plug-in connector "B" (black)	Gerätesteckdose "B" (schwarz)	Prise embrochable "B" (noire)	Connettore "B" (nero)	167-01028-8	1
23	Plug M8 x 1	Verschlußstopfen	Bouchon	Tappo	447-00013-8	1
	<b>Not shown:</b>	<b>Nicht dargestellt:</b>	<b>Non représenté:</b>	<b>Non rappresentato:</b>		
	Seal kit	Dichtringsatz	Pochette de joints	Serie guarnizioni	S26-34467-0	1
	Subplate 1/2" B.S.P.P.	Anschlußplatte R 1/2"	Plaque de base 1/2" B.S.P.P.	Piastra di base 1/2" BSP	S26-34192	1
	Subplate 3/4" B.S.P.P.	Anschlußplatte R 3/4"	Plaque de base 3/4" B.S.P.P.	Piastra di base 3/4" BSP	S26-34193	1
	Subplate 1/2" B.S.P.P.	Anschlußplatte R 1/2"	Plaque de base 1/2" B.S.P.P.	Piastra di base 1/2" BSP	S26-34194	1
	Subplate 3/4" B.S.P.P.	Anschlußplatte R 3/4"	Plaque de base 3/4" B.S.P.P.	Piastra di base 3/4" BSP	S26-34195	1
	1) with L-port / mit L-Anschluß / avec orifice "L" / con bocca "L"					

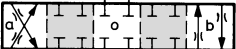
**Model No.:** 4DP02 . \*\* 03 ... A2 ... .. .

**Series** \_\_\_\_\_  
 02 = CETOP 05

**Control** \_\_\_\_\_  
 E = solenoid operation w/o position feedback  
 T = solenoid operation with position feedback

**Spool type** \_\_\_\_\_

02 

43 

**Spool position** \_\_\_\_\_  
 03 = spring centred: spool in position "o"

**Flow** P-A; B-T / P-B; A-T \_\_\_\_\_  
 (at 5 bar Δ p for each metering edge)  
 spools with triangular notches:  
 D25 = 25 l/min  
 D40 = 40 l/min  
 D60 = 60 l/min

spools with half-round notches:  
 Q25 = 25 l/min  
 Q40 = 40 l/min  
 Q60 = 60 l/min

**Solenoid voltage** \_\_\_\_\_  
 G12 = 12 V DC  
 1) G24 = 24 V DC  
 1) not for valves with position feedback

**Electrical connector** \_\_\_\_\_  
 w/o code = w/o connector  
 C1 = connector PG11 (for valves w/o position feedback)  
 connector PG11 + PG9 (for valves with position feedback)

**Seal class** \_\_\_\_\_  
 w/o code = NBR-seals  
 V = Viton

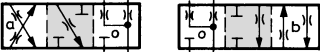
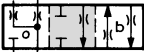
**Modification** \_\_\_\_\_  
 w/o code = Body with drain port "L" 2)  
 01 = Body without drain port "L"  
 2) Always connect L to tank with T > 160 bar.


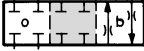
**Model No.:** 4DP02 . .. .. ... A2 ... .. .

**Series** \_\_\_\_\_  
 02 = CETOP 05

**Control** \_\_\_\_\_  
 E = solenoid operation w/o position feedback  
 T = solenoid operation with position feedback

**Spool type** \_\_\_\_\_

12 1)  

13  

1) not for double flow circuit

**Spool position** \_\_\_\_\_  
 05 = Spring centred: spool in position "o"  
       energized: spool in position "b"  
 06 = Spring centred: spool in position "o"  
       energized: spool in position "a"

**Flow P-A; P-B** \_\_\_\_\_  
 (at 5 bar  $\Delta p$  for each metering edge)  
 spools with triangular notches:  
 D25 = 25 l/min  
 D40 = 40 l/min  
 D60 = 60 l/min

spools with half-round notches:  
 Q25 = 25 l/min  
 Q40 = 40 l/min  
 Q60 = 60 l/min

**Solenoid voltage** \_\_\_\_\_  
 G12 = 12 V DC  
 2) G24 = 24 V DC  
 2) not for valves with position feedback

**Electrical connector** \_\_\_\_\_  
 w/o code = w/o connector  
 C1 = connector PG11 (for valves w/o position feedback)  
       connector PG11 + PG9 (for valves with position feedback)

**Seal class** \_\_\_\_\_  
 w/o code = NBR-seals  
 V = Viton

**Modification** \_\_\_\_\_  
 w/o code = Body with drain port "L" 3)  
 01 = Body without drain port "L"  
 3) Always connect L to tank with T > 160 bar.

Rights of alteration reserved. Änderung vorbehalten.  
 Sous réserve d'éventuelles modifications. Con riserva di modifica.

