

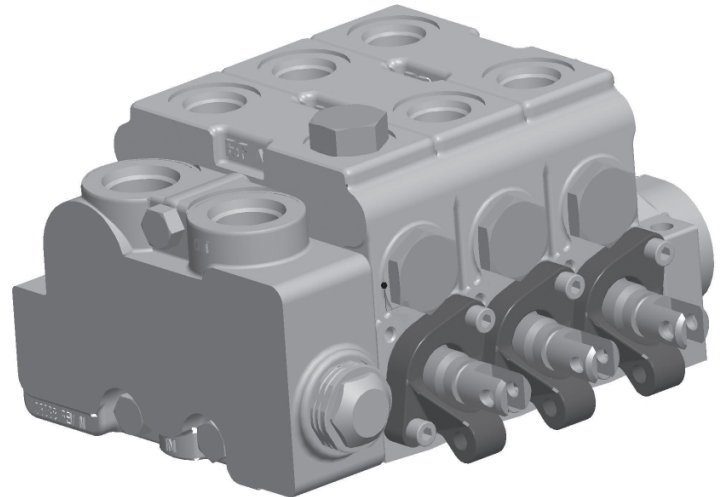
**"New"**  
**Series V20**  
**Composite**  
**Handle Bracket**

Bulletin HY14-2705-B8/US

## **Series V20 Composite Handle Bracket**

### Mobile Directional Control Valves

Parker Hydraulic Valve Division wants to inform you of another exciting update to the Series V20 product line. Starting in April 2007, you will begin receiving V20 valve assemblies with a new composite handle bracket (01801003). This new bracket has the same physical shape as the current zinc bracket and has been thoroughly endurance tested. The composite material is corrosion resistant and will eliminate galvanic corrosion.



The composite bracket is a direct replacement for the zinc alloy version and will fit all existing sections in the field. This bracket uses the same two cap screws, but the torque value has been changed to 4-6 ft lbs. This is the same torque as used on the composite bonnet (torque value for the zinc and cast bracket is 10 ft lbs).

The heavy duty cast bracket will continue to be available (K-6037).

Bulletin HY14-2705-B8/US, 3/23/07

**Parker Hannifin Corporation**  
Hydraulic Valve Division  
Elyria, Ohio 44035 USA  
Ph: (440) 366-5200  
Fax: (440) 366-5253  
[www.parker.com/hydraulicvalve.com](http://www.parker.com/hydraulicvalve.com)

