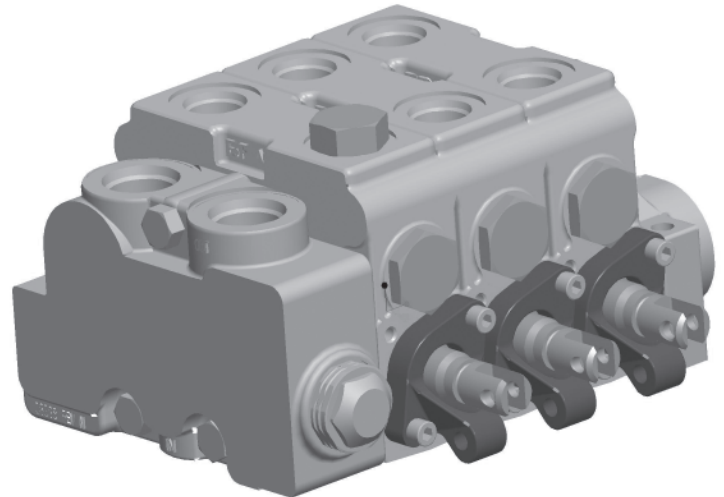


**"New" Series V20
Composite Handle
Bracket
Enhances Better
Performance"**

Bulletin HY14-2705-B6/US

Series V20 Composite Handle Bracket Mobile Directional Control Valves

Parker Hydraulic Valve Division wants to inform you of a product update for the Series V20 product line. Starting in Mid-May 2006, you will begin receiving V20 distributor stock valve sections with a new composite handle bracket (01801003). This new bracket has the same physical shape as the current zinc bracket and has been thoroughly endurance tested. The composite material is corrosion resistant, and will eliminate galvanic corrosion.



Parker HVD will continue to use the current zinc brackets (01801001) on valve stack assemblies and all service kits for the next 6 months. The heavy duty cast bracket will continue to be available.

This bracket uses the same two cap screws but the torque value has been changed to 4-6 ft lbs, the same torque as used on the composite bonnet (torque value for the Zinc and cast bracket is 10 ft lbs).

Bulletin HY14-2705-B6, 5/12/06

Parker Hannifin Corporation
Hydraulic Valve Division
Elyria, Ohio 44035 USA
Ph: (440) 366-5200
Fax: (440) 366-5253
www.parker.com/hydraulicvalve.com

anything **Parker**
Possible.™