

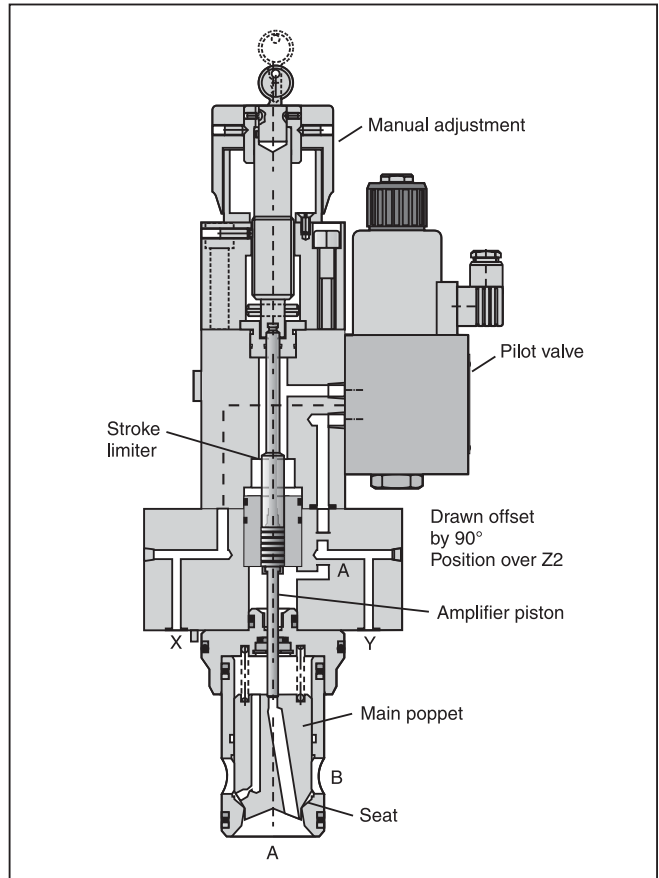
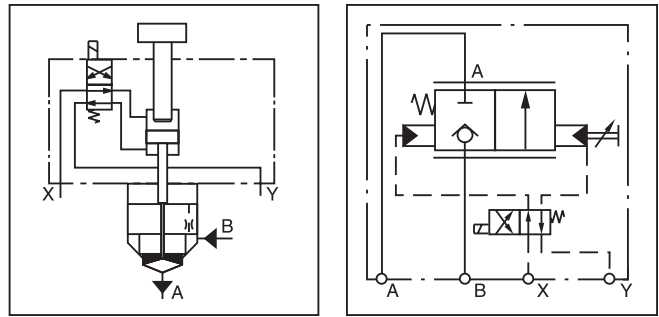
General Description

Series TEH accumulator discharge valves are preferably used in hydraulic systems where high volume flow rates are discharged from accumulators over a short operating period (in the range of milliseconds).

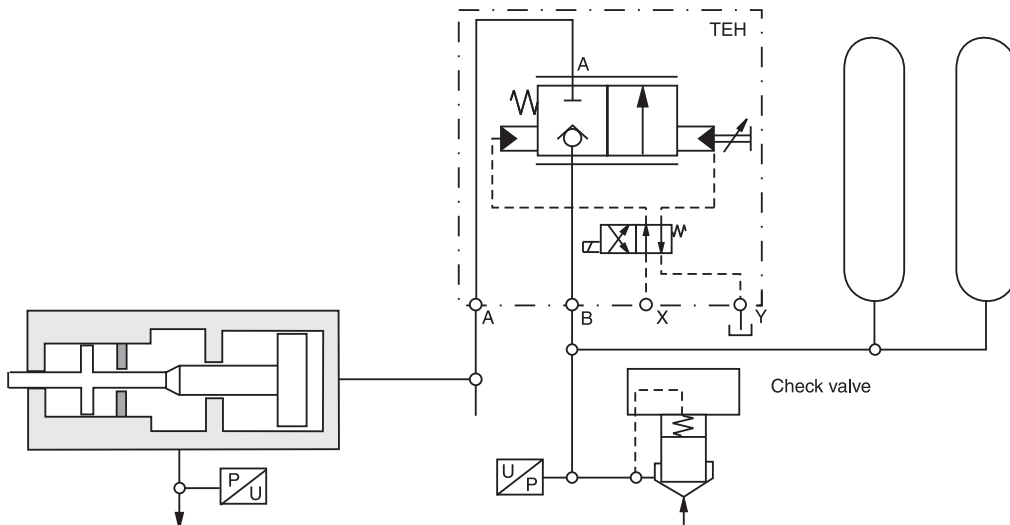
Typical applications are injection molding and die casting machines as well as hydraulic presses.

The amplifier piston is pressed down onto the main poppet by pilot pressure in the X-line and pushes the main poppet into the seat. By switching the pilot valve the pilot pressure pushes the amplifier piston against the manual adjusted stroke limiter. The main poppet is forced by pressure in the B-line to follow the amplifier piston immediately and opens the adjusted area for flow from B to A. In the neutral position, the flow from B to A is blocked. With pilot pressure in X flow from A to B is blocked as well. Without pilot pressure oil can pass from A to B through the orifice in the poppet.

Note: This is not a complete shut off valve.



Example Accumulator System for an Injection Cylinder



Specifications

General						
Size	NG32	NG40	NG50	NG63	NG80	NG100
Interface	Slip-in cartridge according to ISO 7368					
Mounting Position	Unrestricted					
Ambient Temperature	-20°C to +80°C (-4°F to +176°F)					
Extracting Tools	See Accessories					
Hydraulic						
Maximum Operating Pressure	Ports A, B and X: up to 350 Bar (5075 PSI), Port Y: 10 Bar (145 PSI) maximum					
Nominal Flow Δp = 10 Bar (145 PSI)	950 LPM (251 GPM)	1400 LPM (370 GPM)	2300 LPM (609 GPM)	4000 LPM (1058 GPM)	6000 LPM (1577 GPM)	9500 LPM (2513 GPM)
Fluid	Hydraulic oil according to DIN 51524 ... 525					
Viscosity Recommended	30 to 80 cSt (mm ² /s)					
Viscosity Permitted	20 to 380 cSt (mm ² /s)					
Fluid Temperature	0°C to +60°C (+32°F to +140°F)					
Filtration	ISO 4406 (1999); 18/16/13					
Pilot Valve	4/2 flow control valve, See Catalog HY14-2500/US Type D1VW			4/2 flow control valve, See Catalog HY14-2500/US Type D3W		

Ordering Information

TEH	□	E	L	0	9	□	□	W	□	□
Throttle Valve with Shut-off Function	Nominal Size	Cartridge Valve ISO 7368	Manual Adjustment with DIN-Lock	Spool Form	Flow Code	Flow Direction	Seals	Plug Socket without Plug	Solenoid Voltage	Design Series NOTE: Not required when ordering.

Code	Description
032	NG32
040	NG40
050	NG50
063	NG63
080	NG80
100	NG100

Code	Description
A	A to B
B	B to A

Code	Description
N	Nitrile
V	Fluorocarbon

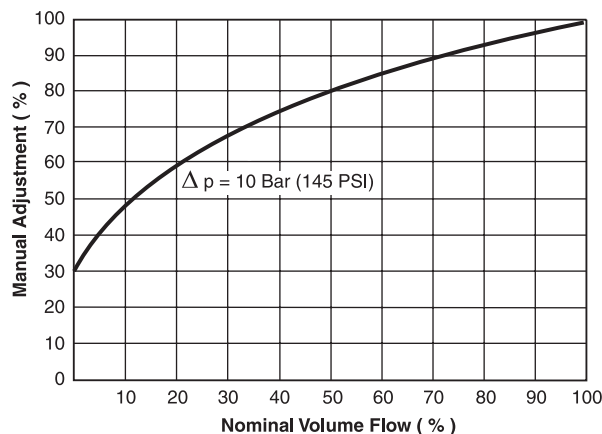
Code	Description
J	24V= / 1.25A
U	98V= / 0.31A *
G	205V= / 0.15A *

* For 110V / 50 Hz or 220V / 50 Hz use plug with rectifier

Weight:

TEH032	9.0 kg (19.8 lbs.)	TEH063	38.0 kg (83.8 lbs.)
TEH040	13.0 kg (28.7 lbs.)	TEH080	62.0 kg (136.7 lbs.)
TEH050	22.0 kg (48.5 lbs.)	TEH100	85.0 kg (187.4 lbs.)

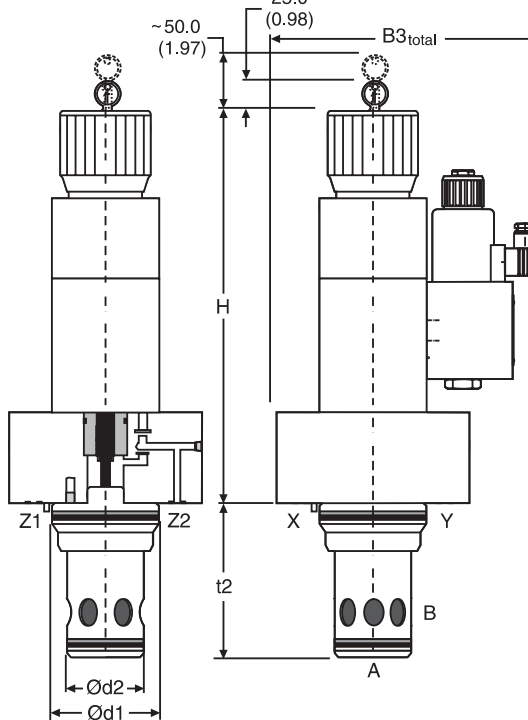
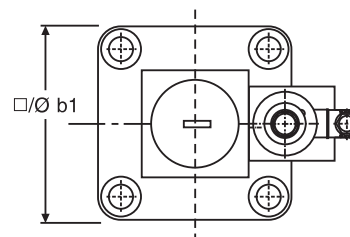
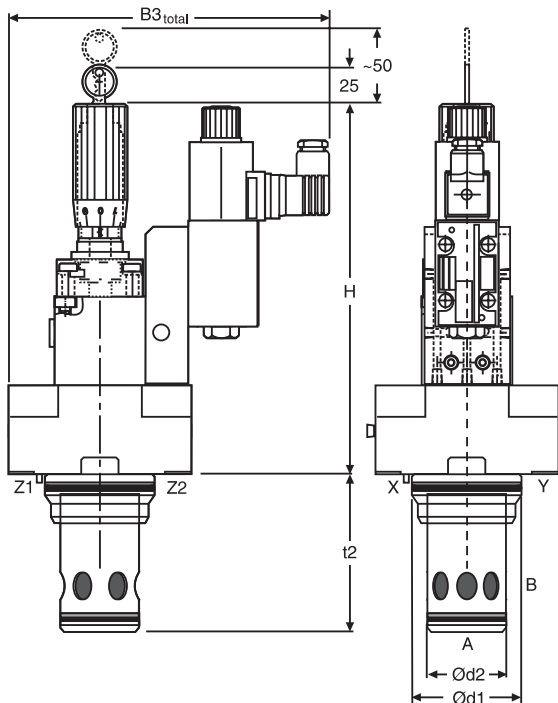
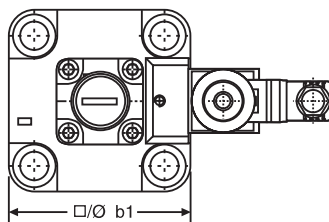
Performance Curve



Inch equivalents for millimeter dimensions are shown in (**)

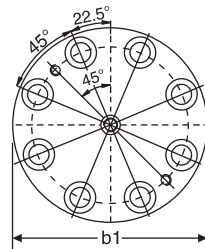
NG32 to 50




NG63



Size	32	40	50	63	80	100
H	255.0 (10.04)	265.0 (10.43)	275.0 (10.83)	407.0 (16.02)	427.0 (16.81)	442.0 (17.04)
b1	102.0 (4.02)	125.0 (4.92)	140.0 (5.51)	180.0 (7.09)	Ø250.0 (9.84)	Ø300.0 (11.81)
d1 ^{H7}	60.0 (2.36)	75.0 (2.95)	90.0 (3.54)	120.0 (4.72)	145.0 (5.71)	180.0 (7.09)
d2 ^{H7}	45.0 (1.77)	55.0 (2.17)	68.0 (2.68)	90.0 (3.54)	110.0 (4.33)	135.0 (5.31)
t2 ^{+0.1}	85.0 (3.35)	105.0 (4.13)	122.0 (4.80)	155.0 (6.10)	205.0 (8.07)	245.0 (9.65)
B3 _{total}	205.0 (8.07)	216.0 (8.50)	224.0 (8.82)	255.0 (10.04)	290.0 (11.42)	315.0 (12.40)

NG80 to NG100



NG	Bolt Kit - 		Kit 	
			Nitrile	Fluorocarbon
32	BK415 (BK85)	281 Nm (207.2 lb.-ft.)	SK-TEH032EN20	SK-TEH032EV20
40	BK416 (BK86)	553 Nm (407.8 lb.-ft.)	SK-TEH040EN20	SK-TEH040EV20
50	BK417 (BK87)	553 Nm (407.8 lb.-ft.)	SK-TEH050EN20	SK-TEH050EV20
63	BK418 (BK88)	1910 Nm (1408.6 lb.-ft.)	SK-TEH063EN20	SK-TEH063EV20
80	BK419 (BK135)	935 Nm (689.6 lb.-ft.)	SK-TEH080EN20	SK-TEH080EV20
100	BK420 (BK90)	1910 Nm (1408.6 lb.-ft.)	SK-TEH100EN20	SK-TEH100EV20