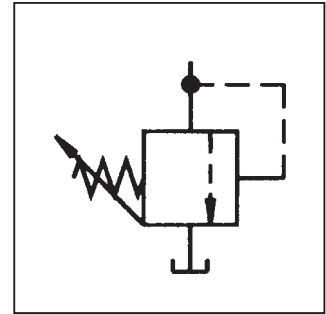
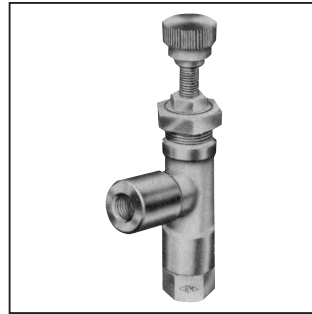


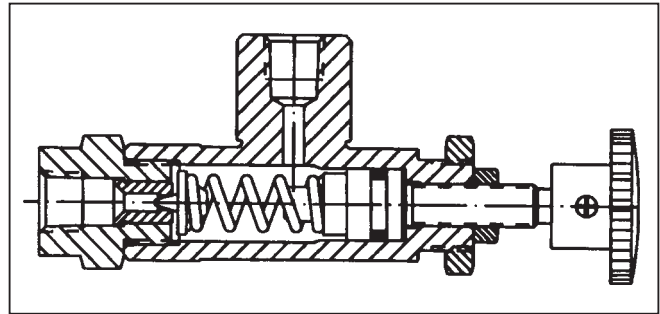
General Description

Series P6701 valves serve as a remote pilot for a pilot operated parent valve. Adjustable in three pressure ranges: 6.9 to 82.8 Bar (100 to 1200 PSI), 69 to 207 Bar (1000 to 3000 PSI) and 207 to 345 Bar (3000 to 6000 PSI).



Features

- Remote pilot for R6701, R6703, S6701, S6703, PR6701 and PR6703.
- Ideal for adjustable vent valve.

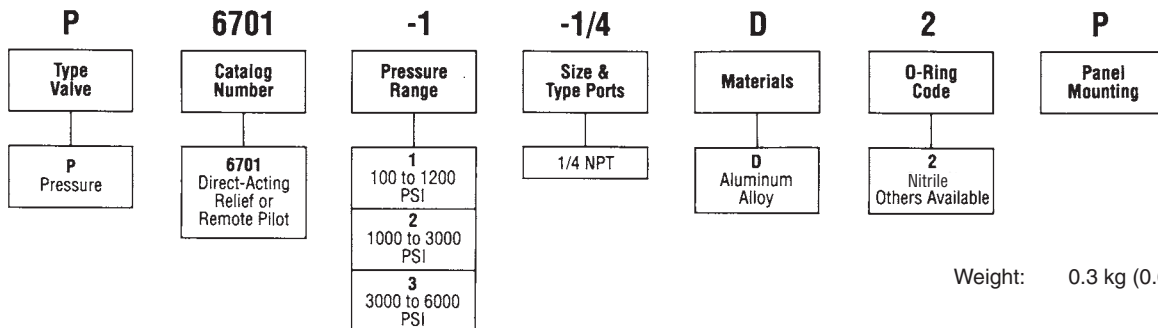


Specifications

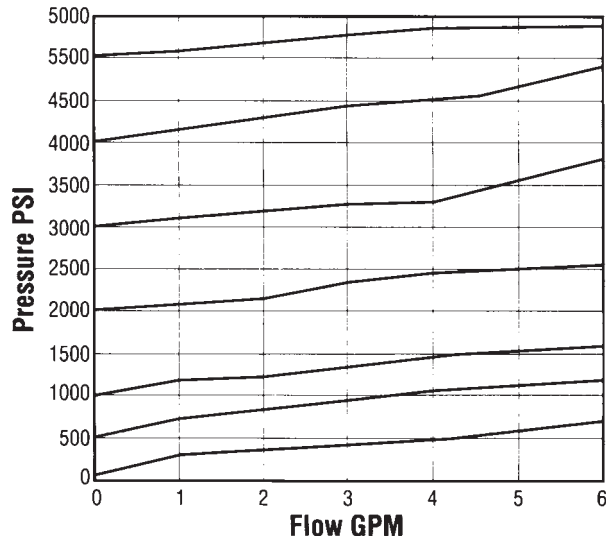
Service App.	Hydraulic Oil	Internal Leakage	Less than 1 DPM at 90% of cracking pressure
Pressure Adjustment Range	Range 1: 6.9 - 82.8 Bar (100 - 1200 PSI) Range 2: 69 - 207 Bar (1000 - 3000 PSI) Range 3: 207 - 414 Bar (3000 - 6000 PSI)	Mounting	Panel hole 27/32" diameter
Maximum Operating Pressure	Proof: 517.5 Bar (7500 PSI) Burst: 828 Bar (12,000 PSI)	Material	Body Forged aluminum alloy Trim Steel and Stainless steel O-rings Synthetic rubber
Sizes	NPT 1/4"	Operating Temperature	-40°C to +121°C (-40°F to +250°F)
Orifice Dia.	1/8"		
Ports	NPT Pipe threads		



Ordering Information



Performance Curves



Dimensions — Shown in inches

