

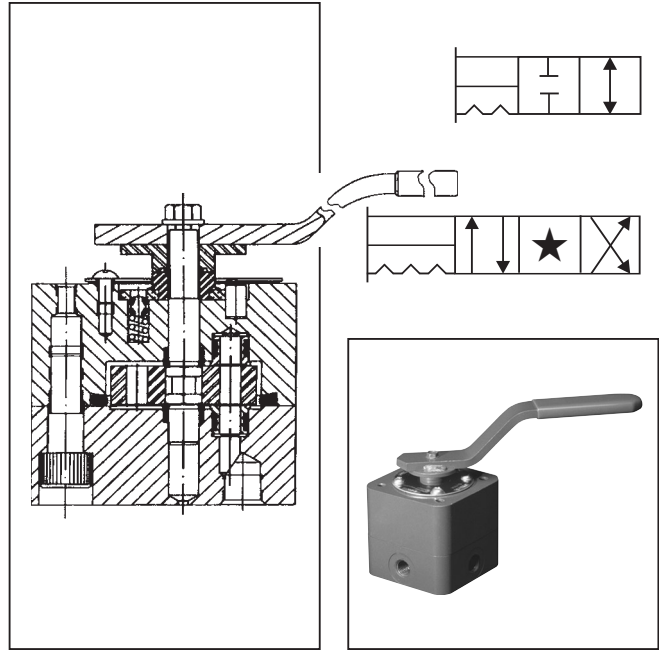
**A**

**General Description**

Series 8000E valves are 2, 3 and 4-way manual selector valves with near zero leakage characteristics and are rated to 207 Bar (3000 PSI) for liquids and 138 Bar (2000 PSI) for air. The valve design requires low actuation torque and can be used in applications where loads must be held for long periods and under difficult conditions.

**Features**

- Shear-type positive seal.
- Zero leakage (1 drop per min. per pressure port).
- High contamination tolerance.
- Long life due to wiping action of seals and disk.
- Low turning torque.
- Panel mounting is standard.



**Specifications**

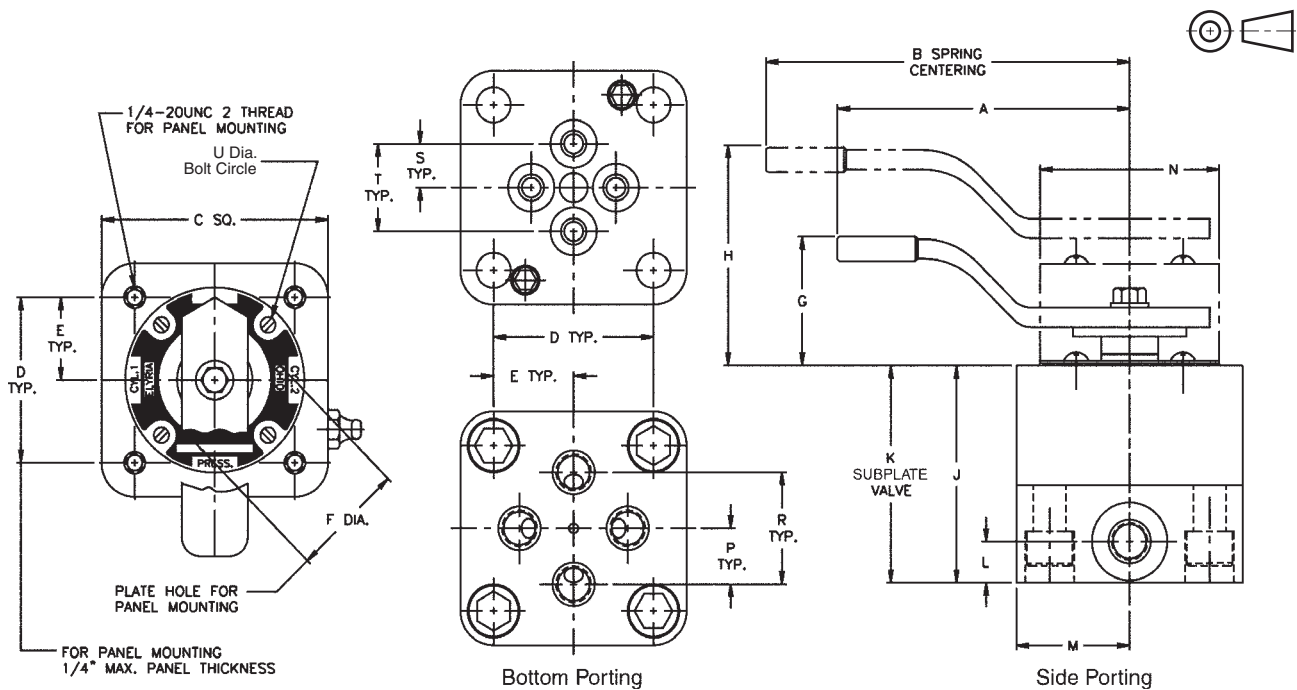
<b>Service Applications</b>	Lubricated air, hydraulic oil, and water. For case pressure or exhaust port pressure applications above 17.3 Bar (250 PSI), consult factory.	<b>Material</b>	Body & Cap: Steel
<b>Maximum Operating Pressure</b>	Working: Liquids - 207 Bar (3000 PSI) Air - 138 Bar (2000 PSI) Proof: Liquids - 310.5 Bar (4500 PSI) Air - 207 Bar (3000 PSI) Burst: 517.5 Bar (7500 PSI)		Disk: Stainless steel type 440
<b>Porting</b>	Bottom or side NPT: Pipe threads Sizes 1/4", 1/2" & 1" IST: Internal straight threads per AND10050 Sizes: 6, 10, & 16		Shaft: Stainless steel type 416
<b>Mounting</b>	Subplate - Sizes 6, 10 & 16		Seals: Stainless steel type 440
			Spring Seals: Stainless steel
			O-rings: Synthetic rubber compatible with media
			Back-up rings: PTFE
			Handle: Steel
			Finish: Paint
		<b>Operating Temperature</b>	Note: Steel bodies and caps for water or air service are electroless nickel plated. Water service valves are equipped with grease fittings and require periodic lubrication with a waterproof grease.
			-40°C to +121°C (-40°F to +250°F) Higher on special order

Valve Size				Weight Lbs.	CV Factor P. to A. or P. to B.	Flow Passage Diameter	Handle Pull – Lbs.			
							8000E		R8000E	
Subplate	SAE	Tube	Pipe	Steel	8000E	8000E	Air	Oil	Air	Oil
Size 6	#6	6	1/4	5-1/2	1.0	.250 In.	10	9	15	14
Size 10	#10	10	1/2	10	2.8	.437 In.	15	13	21	18
Size 16	#16	16	1	22	8.5	.750 In.	18	15	30	25

**Ordering Information**

80	5	1	E	-	1/4	H	S	2	
Prefix for Special Feature	3000 PSI Series	Flow Pattern	Type of Porting	Design Series	Size	Service Media	Materials	O-Ring Code	Suffix Options
See Option Page for Complete List	1 2-Way Shut-off 4 4-Way Closed Center 5 4-Way Tandem Center 7 4-Way Manipulator Closed Center 8 4-Way Manipulator/Open Center 9 3-Way	1 Side Ported 2 Bottom Ported 3 Subplate Mounted			1/4 NPT 1/2 NPT 1 NPT 6 IST 10 IST 16 IST 6 Subplate 10 Subplate 16 Subplate	A Lubricated Air H Hydraulic Oil W Water	S Steel	2 Nitrile 28 Fluorocarbon 52 EPR Others Available Per. Request	See Option Page for Complete List

**Dimensions**



Valve Size		All Dimensions are in Inches																		Subplate Mounted			
Sub-Plate	SAE	Tube	Pipe	A	B	C	D	E	F	G	H	J	K	L	M	N	P	R	S	T	U	Mt'g. Bolt	Torg.
Size 6	#6	6	1/4	6	8	3	2 1/8	1 1/16	1	2 1/8	2 21/32	2 27/32	2 21/64	17/32	1 1/2	2 3/8	23/32	1 7/16	9/16	1 1/8	2	7/16 - 20NF 2 x 2 1/2 Lg.	700 In. - Lbs.
Size 10	#10	10	1/2	7	10	3 1/2	2 1/2	1 1/4	1	2 3/8	3 7/64	3 37/64	2 55/64	49/64	1 3/4	2 15/16	31/32	1 15/16	13/16	1 5/8	2 1/2	7/16 - 20NF 2 x 3 Lg.	700 In. - Lbs.
Size 16	#16	16	1	10	12	4 1/2	3 3/16	1 19/32	1 3/8	2 15/16	3 3/8	4 23/32	3 45/64	1	2 1/4	3 11/16	1 3/8	2 3/4	1 11/64	2 11/32	3 3/16	1/2 - 20NF 2 x 4 Lg.	1,370 In. - Lbs.

