

Installation Information

FOR MAXIMUM VALVE RELIABILITY, ADHERE TO THE FOLLOWING INSTALLATION INFORMATION.

The following is important installation information which applies to all directional control valves described in this catalog.

Mounting Position

Detent – Horizontal
Spring Offset – Unrestricted
Spring Centered – Unrestricted

Fluid Recommendations

Premium quality hydraulic oil with a viscosity range between 32-54 cSt. (150-250 SSU) At 38°C (100°F) is recommended. The absolute operating viscosity range is from 16-220 cSt. (80-1000 SSU). Oil should have maximum anti-wear properties and rust and oxidation treatment.

Fluids and Seals

Valves using synthetic, fire-resistant fluids require special seals. When phosphate esters or its blends are used, FLUOROCARBON seals are required. Water-glycol, water-in-oil emulsions and petroleum oil may be used with STANDARD seals.

Filtration

For maximum valve and system component life, the system should be protected from contamination at a level not to exceed 125 particles greater than 10 microns per milliliter of fluid (SAE class 4/ISO 16/13).

Silting

Silting can cause any sliding spool valve to stick and not spring return if held under pressure for long periods of time. The valve should be cycled periodically to prevent sticking.

Special Installations

Consult your Parker representative for any application requiring the following:

- Pressure above rating.
- Fluid other than those specified.
- Oil temperature above 71.1°C (160°F).
- Flow path other than normal.

Mounting Patterns

Series	NFPA	CETOP
D81V*, D8P	D08	3/4"

Torque Specifications

The recommended torque values for the bolts which mount the valve to the manifold or subplate are as follows: 135.6 Nm (100 ft-lbs).



Series D81VW, D81VA, D81VL

A

Tank and Drain Line Surges

If several valves are piped with a common tank or drain line, flow surges in the line may cause an unexpected spool shift. Detent style valves are most susceptible to this. Separate tank and drain lines should be piped in installations where line surges are expected.

Electrical Characteristics (Detented Spool)

Only a momentary energizing of the solenoid is necessary to shift and hold a detented spool. Minimum duration of the signal is 0.1 seconds for DC voltages. For AC voltages the response time is 0.06 seconds. Spool position will be held provided the spool centerline is in a horizontal plane, and not shock or vibration is present to displace the spool.

Electrical Failure or Loss of Pilot Pressure (D81V or D81VA)

Should electric power fail or loss of pilot pressure occur, spring offset and spring centered valves will shift to the spring held position. Detented valves will stay in the last position held before power failure. If main flow does not fail or stop at the same time power fails, machine actuators may continue to function in an undesirable manner or sequence.

Pilot/Drain Characteristics

Pilot Pressure:

5.1 to 345 Bar (75 to 5000 PSI)
6.9 Bar (100 PSI) for spools 002, 007, 008, 009 & 014

External: An oil source sufficient to maintain minimum pilot pressure must be connected to the “X” port of the main body. When using the external pilot variation, a 1/16" pipe plug must be present in the main body pilot passage. (For details see Dimension pages.) This plug will be furnished in valves ordered with pilot code 2, 3, 5 or 6.

Internal: Flow is internally ported from the pressure port of the main valve body to the “P” port of the pilot valve. The pressure developed at the “P” port of the pilot valve must be 5.1 Bar (75 PSI) minimum at all times or 6.9 Bar (100 PSI) for spools 002, 007, 008, 009 & 014.

Integral Check: Valves using internal pilot and internal drain with an open center spool (spools 2, 7, 8 & 9) can be ordered with an integral check valve in the pressure port of the main valve codes 3 & 6. Pilot oil will be internally ported from the upstream side of this check to the “P” port of the pilot valve, ensuring sufficient pilot pressure. A 1/16" pipe plug will be present in the main body. The “X” port in the subplate must be plugged when using the integral check.

Pilot Valve Drain: Maximum pressure 102 Bar (1500 PSI) AC optional, 207 Bar (3000 PSI) DC standard.

External: When using an external drain, a M6 x 1 x 6mm long set screw must be present in the main body drain passage. (For details see Dimension pages.) This plug will be furnished in valves ordered with drain code 1, 2 or 3.

Drain flow from the pilot valve is at the “Y” port of the main body and must be piped directly to tank. Maximum drain line pressure is 102 Bar (1500 PSI), AC optional, 207 Bar (3000 PSI) DC standard. Any drain line back pressure is additive to the pilot pressure requirement.

Internal: Drain flow from the pilot valve is internally connected to the main valve tank port. Tank and drain pressure are then identical so tank line pressure should not exceed 102 Bar (1500 PSI) AC optional, 207 Bar (3000 PSI) DC standard. Any tank line back pressure is also additive to the pilot pressure requirement. If flow surges (a cause of pressure surges) are anticipated in the tank line, an external drain variation is recommended. The “Y” port in the subplate must be plugged when using an internal drain.

D81V* Flow Paths

Style Code	Description	No Solenoid/Operator Energized	Solenoid/Operator A Energized	Solenoid/Operator B Energized
B	Spring Offset	P→A and B→T	—	P→B and A→T
C	Spring Centered	Centered	P→A and B→T	P→B and A→T
D	Detented	Last Position Held	P→A and B→T	P→B and A→T
E	Spring Centered	Centered	—	P→B and A→T
F†	Spring Offset, Shift to Center	P→A and B→T	—	Centered
H	Spring Offset	P→B and A→T	P→A and B→T	—
K	Spring Centered	Centered	P→A and B→T	—
M†	Spring Offset, Shift to Center	P→B and A→T	Centered	—

† D81VW only.

D81.indd, dd



Series D8P

Tank and Drain Line Surges

If several valves are piped with a common tank or drain line, flow surges in the line may cause an unexpected spool shift. Detent style valves are most susceptible to this. Separate tank and drain lines should be piped in installations where line surges are expected.

Loss of Pilot Pressure

Should a loss of pilot pressure occur, spring offset and spring centered valves will shift to the spring held position. No spring valves will stay in the last position held. If main hydraulic flow does simultaneously stop, machine actuators may continue to function in an undesirable manner or sequence.

Pilot Drain Characteristics

Pilot Pressure:

5.1 to 350 Bar (75 to 5000 PSI)
 6.9 Bar (100 PSI) for spools 2, 7, 8, 9 & 14

Direct pilot operated valves use the “X” and “Y” ports to supply pilot oil directly to the ends of the spool, providing spool shifting force. A block mounted on top of the valve body is internally cored to make the necessary connections. Thus when “X” is pressurized, “Y” is used as a drain; and when “Y” is pressurized, “X” becomes the drain.

Any back pressure in these lines when they are being used as a drain is additive to the pilot pressure requirement.

Internal Drain: On spring offset models, only the “X” port is pressurized, as the spring returns the spool to its at rest position. On these models, “Y” may be internally drained through the main tank passage in the valve.

Flow Path/Pilot Pressure

Style Code	Description	“X” & “Y” De-Pressurized	“X” Port Pressurized	“Y” Port Pressurized	Special Notes	Recommended Control Valve For Pilot Oil
B	Two Position Spring Offset	P→A, B→T	P→A, B→T	P→B, A→T	“X” Port may be pressurized to assist spring in returning spool to offset position (ext. only)	
C	Three Position Spring Centered	Center	P→A, B→T	P→B, A→T	Flow paths will be reversed on valves with tandem center (9) spools	
H	Two-Position Spring Offset	P→B, A→T	P→A, B→T	P→B, A→T	“Y” Port may be pressurized to assist spring in returning spool to offset position	

Subplate Mounting
NFPA D08, CETOP 8 & NG25

A

Recommended Mounting Surface

Surface must be flat within .102 mm (0.0004 inch) T.I.R and smooth within 812.8 micro-meters (32 micro-inch). Torque bolts to 135.6 Nm (100 ft-lbs).

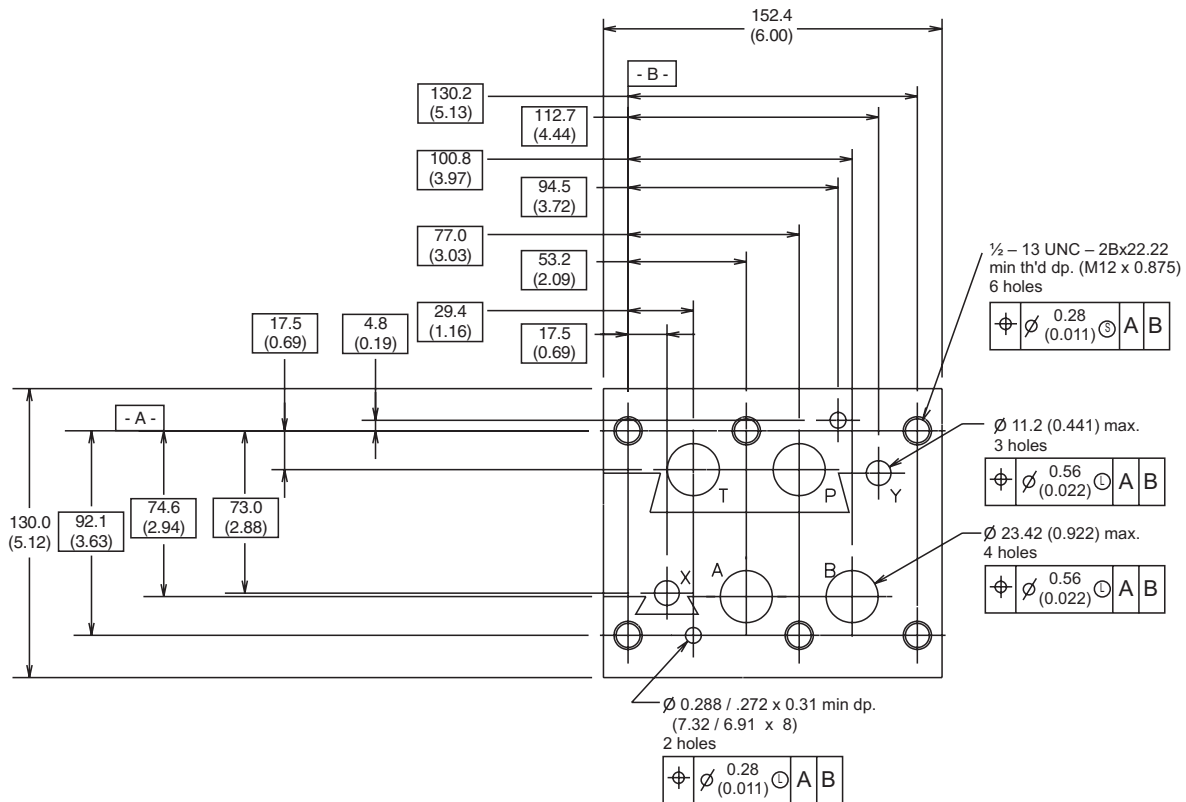
Mounting Position

Valve Type	Mounting Position
Detent (Solenoid)	Horizontal
Spring Offset	Unrestricted
Spring Centered	Unrestricted

For maximum valve reliability, adhere to the following installation information.

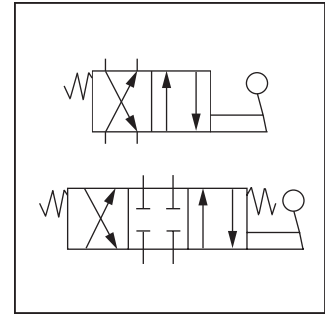
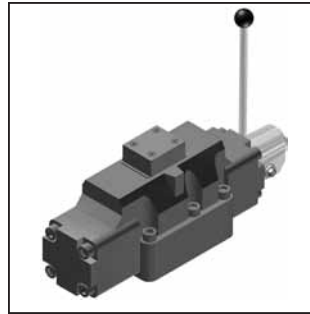
Mounting Pattern — NFPA D08, CETOP 8 & NG25

Inch equivalents for millimeter dimensions are shown in (**)



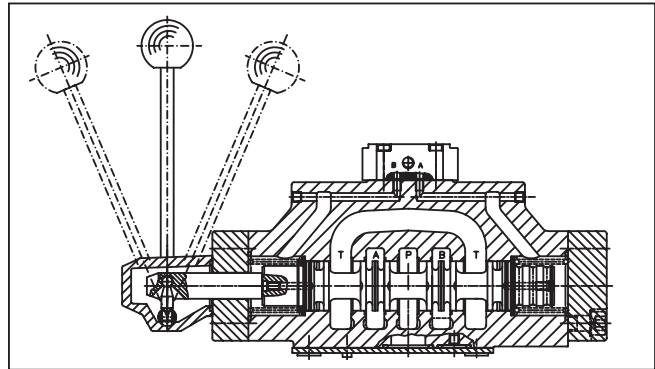
General Description

Series D9L directional control valves are 5-chamber, 4 way, 2 or 3-position valves. They are operated by a hand lever which is directly connected to the spool. The hand lever can be located either on the A or B side. Spring offset and detent designs are available.



Features

- Streamlined internal channels ensure minimum pressure drop at maximum flow.
- Hardened spools provide long life.



Specifications

General		Hydraulic (cont.)	
Actuation	Lever	Fluid	Hydraulic oil in accordance with DIN 51524 / 51525
Size	NG25	Fluid Temperature	-25°C to +70°C (-13°F to +158°F)
Mounting Interface	DIN 24340 A25 ISO 4401 NFPA D08 CETOP RP 121-H	Viscosity Permitted	2.8 to 400 cSt / mm ² /s (13 to 1854 SSU)
Mounting Position	Unrestricted, preferably horizontal	Viscosity Recommended	30 to 80 cSt / mm ² /s (139 to 371 SSU)
Ambient Temperature	-25°C to +50°C (-13°F to +122°F)	Filtration	ISO 4406 (1999); 18/16/13 (meet NAS 1638: 7)
Hydraulic		Maximum Flow	700 LPM (185.2 GPM)
Maximum Operating Pressure	External Drain P, A, B, T 350 Bar (5075 PSI) X, Y 10 Bar (145 PSI) Internal Drain P, A, B 350 Bar (5075 PSI) T, X, Y 10 Bar (145 PSI)	Leakage at 350 Bar (5075 PSI)	up to 800 ml per minute (per flow path) (depending on spool)

A

D
 Directional Control Valve

9
 Basic Valve

NFPA D08
 CETOP 8
 DIN NG25
 32 mm

Actuator

Code	Actuation
L	Lever Side B
LB	Lever Side A

Spool

Style

Pilot Supply and Drain

Code	Description
2*	External Pilot External Drain
5**	External Pilot Internal Drain

* Pressure T-port < 10 bar
 ** Pressure T-port > 10 bar

Seal

Code	Description
N	Nitrile
V	Fluorocarbon

Design Series

NOTE:
 Not required when ordering.

Code	Symbol	Code	Symbol
01		09	
02		14	
03		15	
04		20	
07		30	

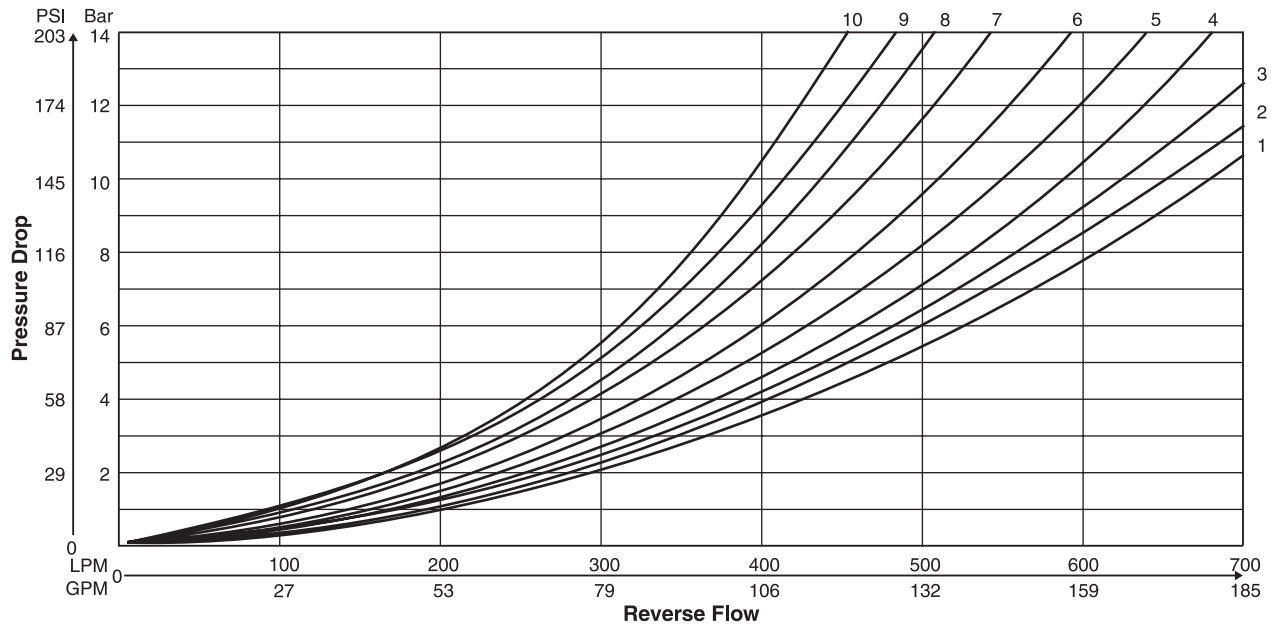
Code	Description	Symbol
B	Single operator, 2 position, spring offset.	
C	Double operator, 3 position, spring centered.	
D	Double operator, 2 position, detent.	
E	Single operator, 2 position, spring centered.	
H	Single operator, 2 position, spring offset.	
K	Single operator, 2 position, spring centered.	
N	Double operator, 3 position, detent.	

Weight: 17.0 kg (37.5 lbs.)

The flow curve diagram shows the flow versus pressure drop curves for all spool types. The relevant curve number for each spool type, operating position and flow direction is given in the table below.



Spool Code	Curve Number				
	P-A	P-B	P-T	A-T	B-T
1	3	2	-	3	5
2	2	1	1	3	5
3	4	2	-	3	6
4	4	3	-	3	5
7	3	1	7	3	5
9	4	8	9	4	10
14	1	3	7	5	3
15	2	4	-	5	3
20	6	5	-	6	8
30	3	2	-	3	5

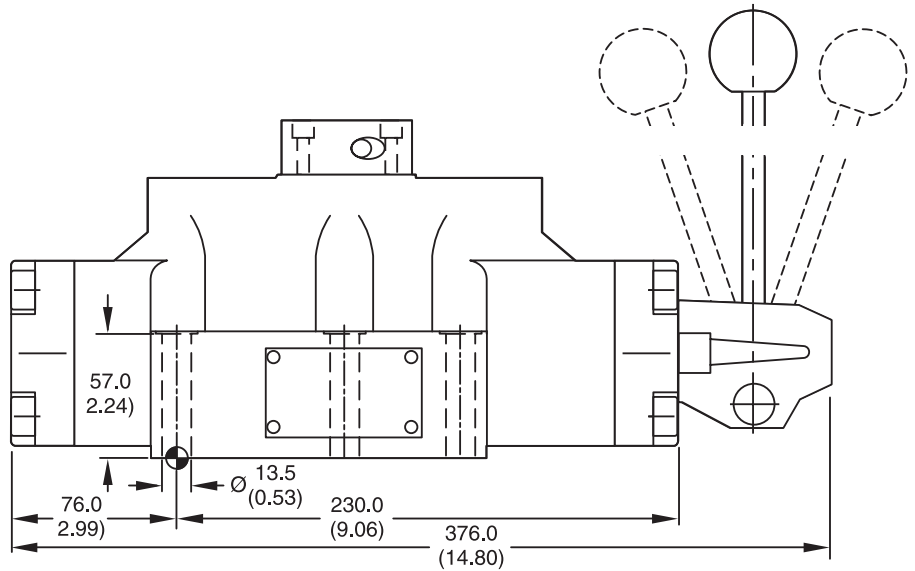
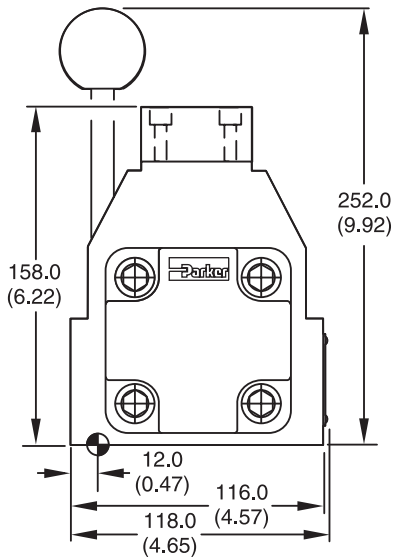


Inch equivalents for millimeter dimensions are shown in (**)

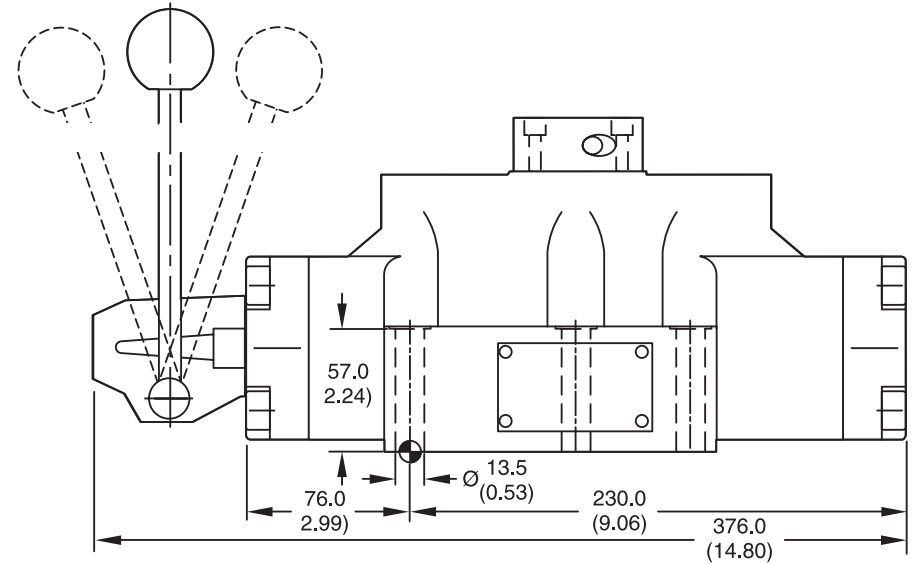
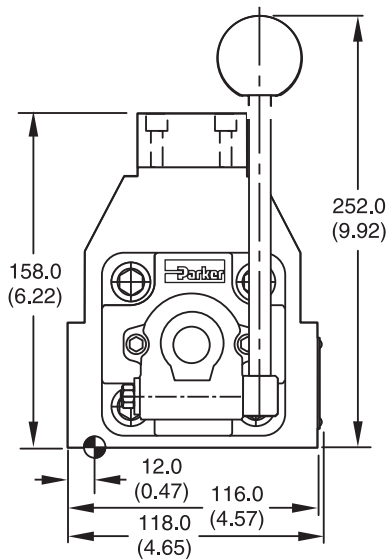


A

D9L



D9LB



Surface Finish	Kit			Seal Kit
	BK360	6x M5x75 DIN 912 12.9	108 Nm ±15%	Nitrile: SK-D9LN Fluorocarbon: SK-D9LV