

General Description

Series GF valves isolate gages from damage and inaccurate readings caused by line pressure surges and hydraulic hammer.

Operation

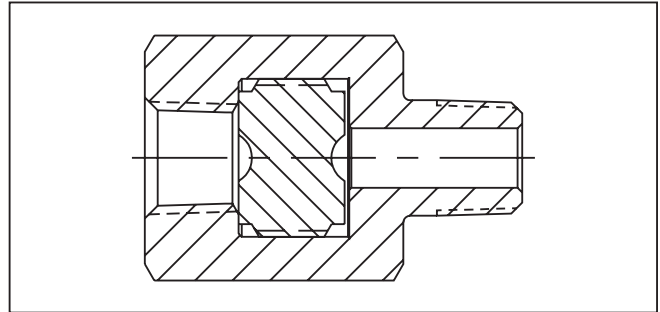
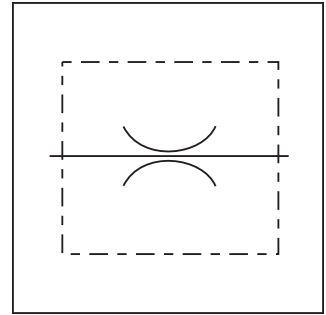
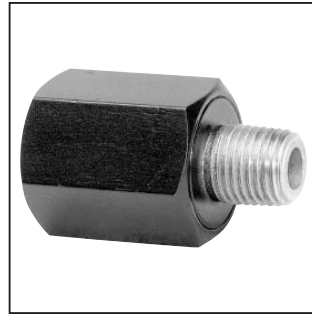
The GF uses a capillary orifice to smooth out line pulsations and surges without the use of any moving parts.

Features

- One piece construction.
- The GF requires no adjustment or maintenance.

Specifications

Maximum Operating Pressure	207 Bar (3000 PSI)
-----------------------------------	--------------------



Ordering Information

Options

Code	Description
Omit	NPTF/SAE
★9	BSP

Series **GF**

Size

Code	Description
400	1/4"
420	7/16 - 20 UNF (SAE 4)

Material **S**

Code	Description
S	Steel

Design Series
 NOTE:
 Not required when ordering.

★ Code 9 can be used with size 400

Weight: 0.6 kg (1.3 lbs.)

Dimensions

Inch equivalents for millimeter dimensions are shown in (**)

