



Oildyne 550 Series Hydraulic Power Units

Pressures to 207 bar (3000 psi)
Flow to 14.4 lpm (3.8 gpm)

aerospace
climate control
electromechanical
filtration
fluid & gas handling
hydraulics
pneumatics
process control
sealing & shielding



ENGINEERING YOUR SUCCESS.

 **WARNING**

FAILURE OR IMPROPER SELECTION OR IMPROPER USE OF THE PRODUCTS AND/OR SYSTEMS DESCRIBED HEREIN OR RELATED ITEMS CAN CAUSE DEATH, PERSONAL INJURY AND PROPERTY DAMAGE.

This document and other information from Parker Hannifin Corporation, its subsidiaries and authorized distributors provide product and/or system options for further investigation by users having technical expertise. It is important that you analyze all aspects of your application and review the information concerning the product or system in the current product catalog. Due to the variety of operating conditions and applications for these products or systems, the user, through its own analysis and testing, is solely responsible for making the final selection of the products and systems and assuring that all performance, safety and warning requirements of the application are met.

The products described herein, including without limitation, product features, specifications, designs, availability and pricing, are subject to change by Parker Hannifin Corporation and its subsidiaries at any time without notice.

Offer of Sale

The items described in this document are hereby offered for sale by Parker Hannifin Corporation, its subsidiaries or its authorized distributors. This offer and its acceptance are governed by the provisions stated in the "Offer of Sale".

© Copyright 2016 Parker Hannifin Corporation, All Rights Reserved



Parker Hannifin
HPS Division
New Hope, MN 55428 USA

550 Series Hydraulic Power Units

The 550 Series combines the features and benefits our customers and markets have requested in a durable and economical package. The integral motor, pump and reservoir are complemented with a full line of Parker D03/NG6 and cartridge valve options. Add a linear or rotary actuator and you have a complete hydraulic system solution for your application.

These high quality power units are ideal for industrial machine tool clamping circuits, dock levelers, food processing, hose crimping, scissor lift, presses, and a myriad of AC applications. Let them go to work for you.

Your local Parker sales representative will be pleased to provide further information.

Typical Applications

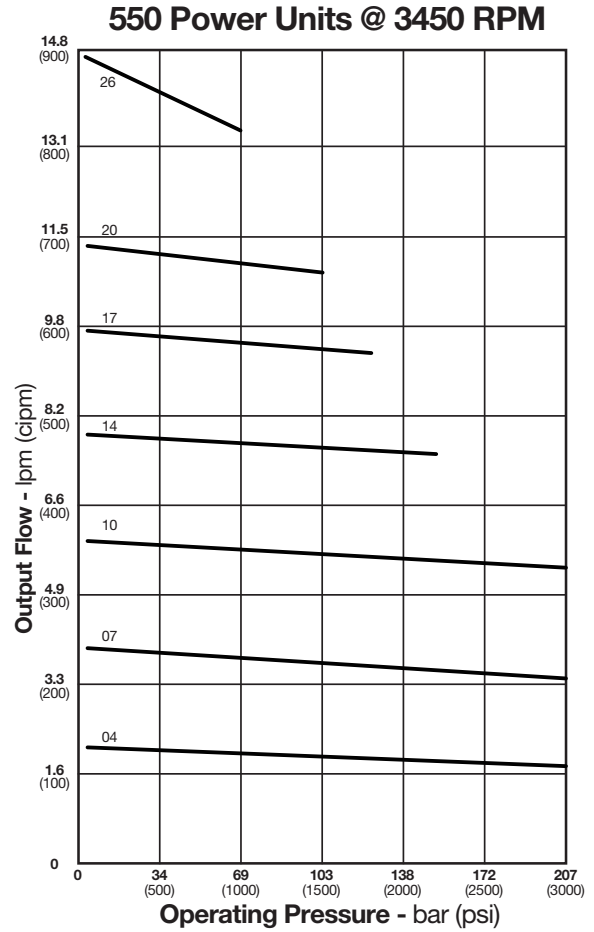
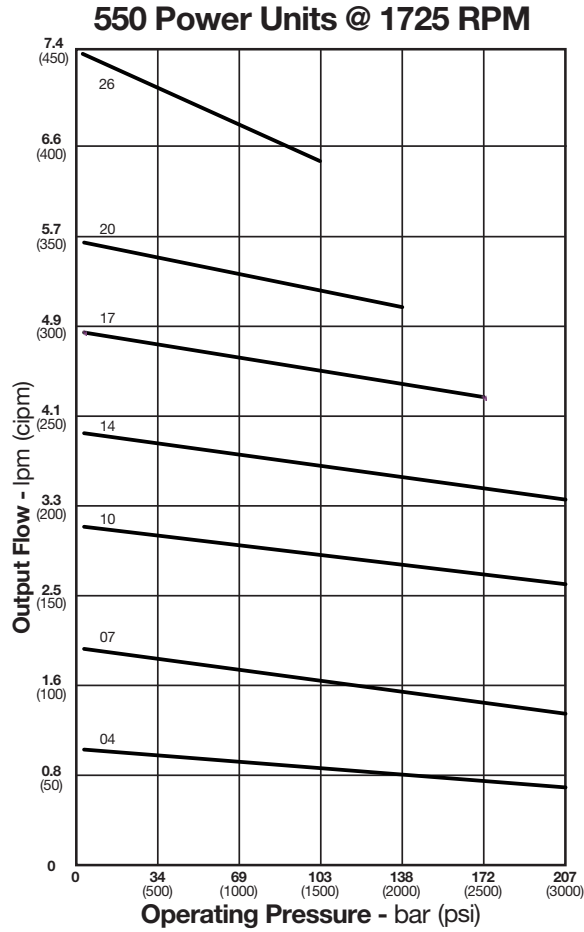
- Machine tool clamping
- Dock levelers
- Man lifts
- Scissors lifts
- Wheelchair lifts
- Trash compactors
- Hose crimpers
- Boat lifts
- Presses
- Commercial ovens



Features

- Numerous motors from .67 to 4 kW (.5 to 3 HP)
- 7 pump sizes – flows from 1 to 14.4 lpm (.25 to 3.8 gpm)
- Externally adjustable relief valve
- Variety of reservoirs
- 207 bar (3000 psi) capability
- D03/NG6 pad or standard P and T ports
- Vertical and horizontal mounting





Performance data based on ATF @ 21°C (70°F)

Motor Horsepower Recommendations at Flow/Pressure

Pump Size	Nominal GPM		Pressure Bar (PSI)					
	@1725	@3450	34 (500)	69 (1000)	103 (1500)	138 (2000)	172 (2500)	207 (3000)
04	¼		.50 HP	.50 HP	.50 HP	.50 HP	.50 HP	.75 HP
04		½	.50 HP	.50 HP	.50 HP	.75 HP	1.0 HP	1.5 HP
07	½		.50 HP	.50 HP	.50 HP	.75 HP	1.0 HP	1.0 HP
07		1	.50 HP	.75 HP	1.0 HP	1.5 HP	2.0 HP	2.0 HP
10	¾		.50 HP	.50 HP	.75 HP	1.0 HP	1.5 HP	1.5 HP
10		1 ½	.75 HP	1.0 HP	1.5 HP	2.0 HP	3.0 HP	3.0 HP
14	1		.50 HP	.75 HP	1.0 HP	1.5 HP	2.0 HP	2.0 HP
14		2	1.0 HP	1.5 HP	2.0 HP	3.0 HP		
17	1 ¼		.50 HP	1.0 HP	1.5 HP	2.0 HP	2.0 HP	
17		2 ½	1.0 HP	2.0 HP	3.0 HP			
20	1 ½		.50 HP	1.0 HP	1.5 HP	2.0 HP		
20		3	1.0 HP	2.0 HP	3.0 HP			
26	1.9		.75 HP	1.5 HP	2.0 HP			
26		3.8	1.5 HP	3.0 HP				

Note: Performance data is for reference only

Standard Product Ordering Code



550 POWER UNIT
 - includes relief valve

MOTOR SELECTION - TEFC

Single Phase = 115/230 VAC, 60 HZ
 Three Phase = 230/460 VAC, 60 HZ

CODE	HP	RPM	PHASE
TC	.50	1725	Single
TD	.50	1725	Three
TM	.50	3450	Single
TT	.50	3450	Three
TE	.75	1725	Single
TF	.75	1725	Three
TN	.75	3450	Single
TU	.75	3450	Three
TJ	1.0	1725	Single
TK	1.0	1725	Three
TP	1.0	3450	Single
TW	1.0	3450	Three
TL	1.5	1725	Single
TO	1.5	1725	Three
TQ	1.5	3450	Single
TX	1.5	3450	Three
TV	2.0	1725	Single
TR	2.0	1725	Three
TS	2.0	3450	Single
TY	2.0	3450	Three
TH	3.0	3450	Three
NN	None:	Customer Supplied	

PUMP SIZE DISPLACEMENT

CODE	DISPLACEMENT
04	0.66 cc/rev (.04 in ³ /rev)
07	1.15 cc/rev (.07 in ³ /rev)
10	1.64 cc/rev (.10 in ³ /rev)
14	2.29 cc/rev (.14 in ³ /rev)
17	2.79 cc/rev (.17 in ³ /rev)
20	3.28 cc/rev (.20 in ³ /rev)
26	4.26 cc/rev (.26 in ³ /rev)

RESERVOIR VOLUME

CODE	VOLUME
05	2 Liter 0.5 Gallon Steel
10	4 Liter 1.0 Gallon Steel
15	6 Liter 1.5 Gallon Steel
50	19 Liter 5.0 Gallon Steel
06	2 Liter 0.5 Gallon Plastic
11	4 Liter 1.0 Gallon Plastic
16	6 Liter 1.5 Gallon Plastic
26	10 Liter 2.5 Gallon Plastic

Note: 19 liter (5 gallon) steel reservoir can be mounted vertically only. All others are vertical and horizontal ready

CIRCUIT

CODE DESCRIPTION

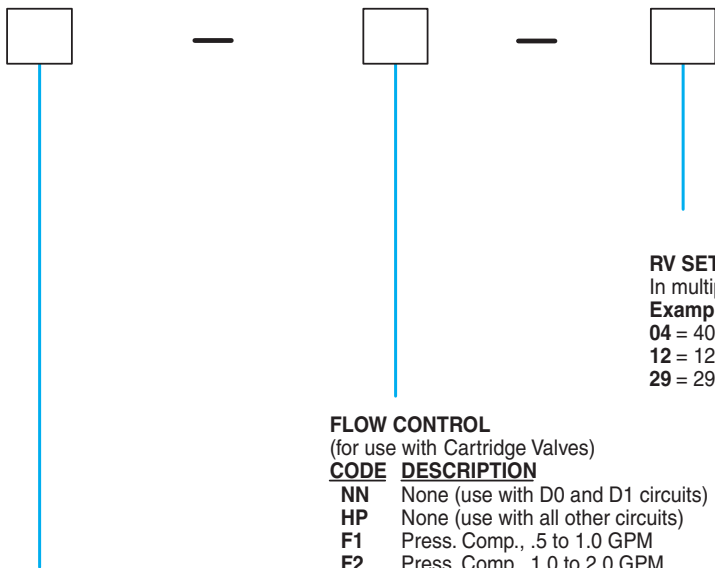
D0	D03/NG6 Pad & Extension Fittings
D1	D03/NG6 Pad with Dual PO Check Manifold (Manapak) (for use with D03/NG6 Directional Control Valves)
SA	Standard Pressure & Tank Ports
SW	Std P & T Ports with Outlet Port Check Valve

Two Position Two Way Cartridge Valves

Following circuits include outlet port check valve:

S1	12 VDC, Normally Closed, Conduit Connector
S2	24 VDC, Normally Closed, Conduit Connector
S3	120 VAC, Normally Closed, Conduit Connector
S4	240 VAC, Normally Closed, Conduit Connector
S5	12 VDC, Normally Open, Conduit Connector
S6	24 VDC, Normally Open, Conduit Connector
S7	120 VAC, Normally Open, Conduit Connector
S8	240 VAC, Normally Open, Conduit Connector

P1	12 VDC, Normally Closed, DIN Connector
P2	24 VDC, Normally Closed, DIN Connector
P3	120 VAC, Normally Closed, DIN Connector
P4	240 VAC, Normally Closed, DIN Connector
P5	12 VDC, Normally Open, DIN Connector
P6	24 VDC, Normally Open, DIN Connector
P7	120 VAC, Normally Open, DIN Connector
P8	240 VAC, Normally Open, DIN Connector



RV SETTING
 In multiples of 100 psi
Examples
04 = 400 psi
12 = 1200 psi
29 = 2900 psi

FLOW CONTROL
 (for use with Cartridge Valves)
CODE DESCRIPTION
NN None (use with D0 and D1 circuits)
HP None (use with all other circuits)
F1 Press. Comp., .5 to 1.0 GPM
F2 Press. Comp., 1.0 to 2.0 GPM

4-WAY VALVE (ALL D03/NG6 SIZE)

CODE	DESCRIPTION
NNN	No 4-Way Valve Included
01Y	Closed Center, 120 VAC, Conduit Connectors
01T	Closed Center, 240 VAC, Conduit Connectors
01K	Closed Center, 12 VDC, Conduit Connectors
01J	Closed Center, 24 VDC, Conduit Connectors
02Y	Open Center, 120 VAC, Conduit Connectors
02T	Open Center, 240 VAC, Conduit Connectors
02K	Open Center, 12 VDC, Conduit Connectors
02J	Open Center, 24 VDC, Conduit Connectors
07Y	Float Center, 120 VAC, Conduit Connectors
07T	Float Center, 240 VAC, Conduit Connectors
07K	Float Center, 12 VDC, Conduit Connectors
07J	Float Center, 24 VDC, Conduit Connectors
08Y	Tandem Center, 120 VAC, Conduit Connectors
08T	Tandem Center, 240 VAC, Conduit Connectors
08K	Tandem Center, 12 VDC, Conduit Connectors
08J	Tandem Center, 24 VDC, Conduit Connectors
30Y	Single Solenoid, 120 VAC, Conduit Connector
30T	Single Solenoid, 240 VAC, Conduit Connector
30K	Single Solenoid, 12 VDC, Conduit Connector
30J	Single Solenoid, 24 VDC, Conduit Connector
Y01	Closed Center, 120 VAC, Hirschmann w/out Plugs
T01	Closed Center, 240 VAC, Hirschmann w/out Plugs
K01	Closed Center, 12 VDC, Hirschmann w/out Plugs
J01	Closed Center, 24 VDC, Hirschmann w/out Plugs
Y02	Open Center, 120 VAC, Hirschmann w/out Plugs
T02	Open Center, 240 VAC, Hirschmann w/out Plugs
K02	Open Center, 12 VDC, Hirschmann w/out Plugs
J02	Open Center, 24 VDC, Hirschmann w/out Plugs
Y07	Float Center, 120 VAC, Hirschmann w/out Plugs
T07	Float Center, 240 VAC, Hirschmann w/out Plugs
K07	Float Center, 12 VDC, Hirschmann w/out Plugs
J07	Float Center, 24 VDC, Hirschmann w/out Plugs
Y08	Tandem Center, 120 VAC, Hirschmann w/out Plugs
T08	Tandem Center, 240 VAC, Hirschmann w/out Plugs
K08	Tandem Center, 12 VDC, Hirschmann w/out Plugs
J08	Tandem Center, 24 VDC, Hirschmann w/out Plugs
Y30	Single Solenoid, 120 VAC, Hirschmann w/out Plug
T30	Single Solenoid, 240 VAC, Hirschmann w/out Plug
K30	Single Solenoid, 12 VDC, Hirschmann w/out Plug
J30	Single Solenoid, 24 VDC, Hirschmann w/out Plug

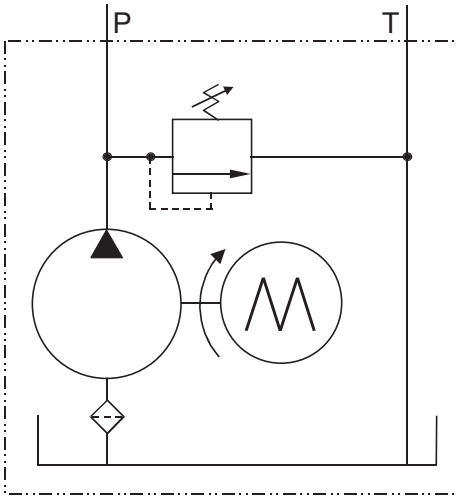
Hydraulic Fluids:

Standard Automatic Transmission Fluid (ATF)
 Most mineral based hydraulic fluids

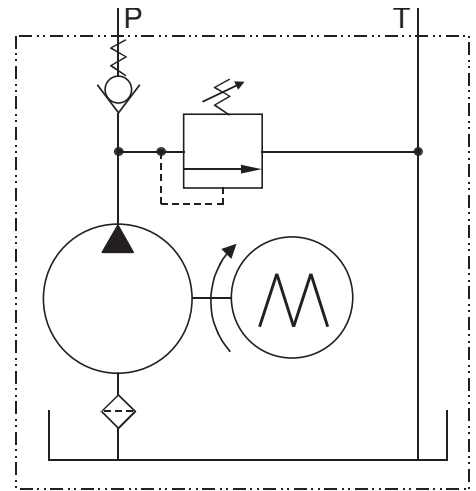
Viscosity range: 32-64 cSt (150-300 SSU) at 38°C (100°F)
 Please contact Parker Oildyne to discuss any alternate fluids.

Temperature Ranges:

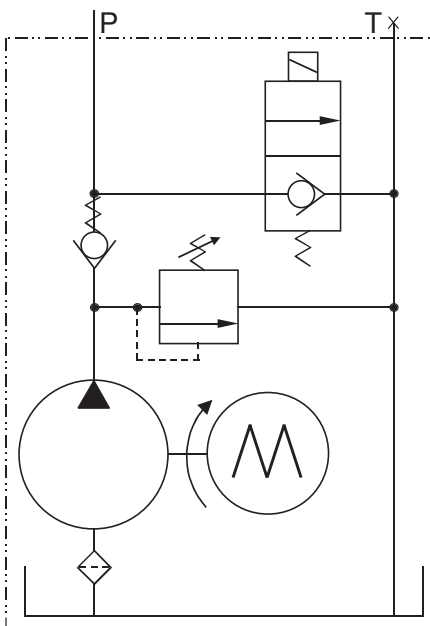
Operating: -7 to 60°C (+20 to 140°F)
 Storage: -10 to 60°C (+14 to 140°F)



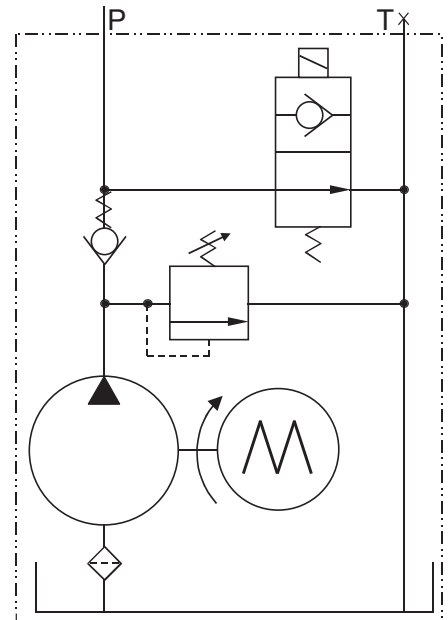
"SA" CIRCUIT



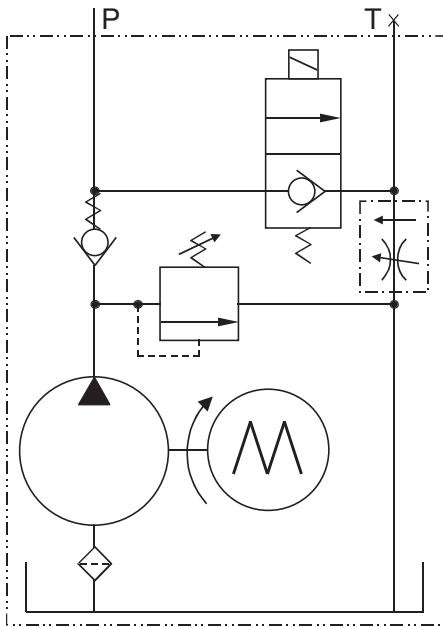
"SW" CIRCUIT



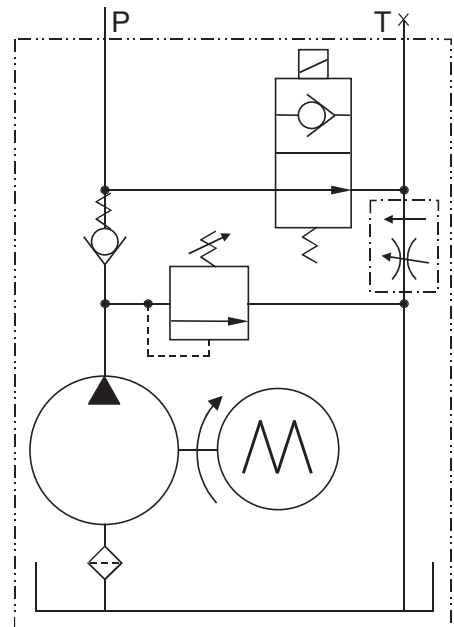
"S1-S4, P1-P4" CIRCUITS



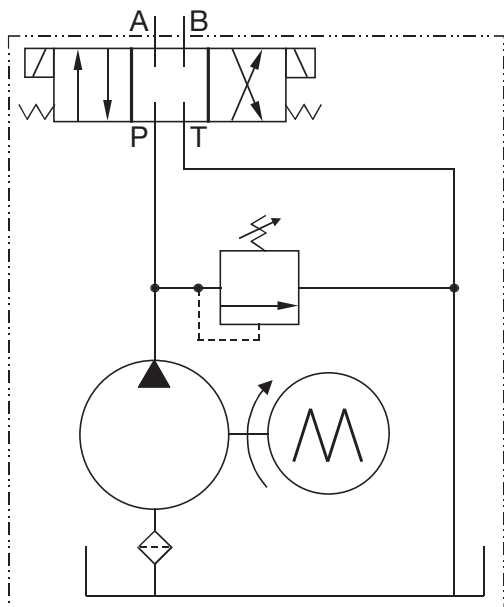
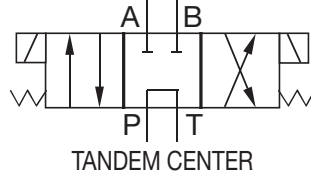
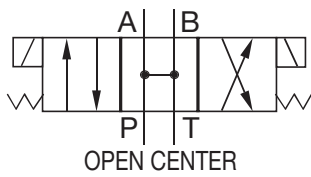
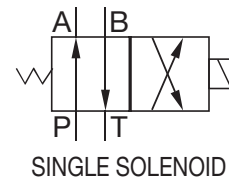
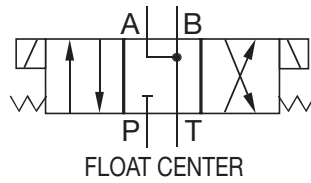
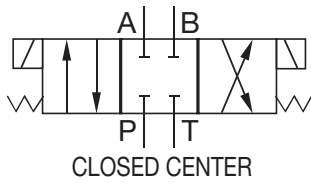
"S5-S8, P5-P8" CIRCUITS



"S1-S4, P1-P4" CIRCUITS WITH
PRESSURE COMPENSATED FLOW
CONTROL F1 OR F2

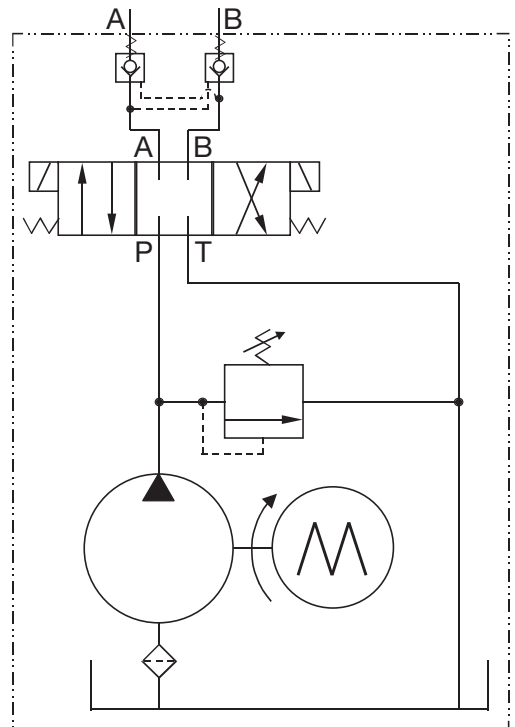


"S5-S8, P5-P8" CIRCUITS WITH
PRESSURE COMPENSATED FLOW
CONTROL F1 OR F2

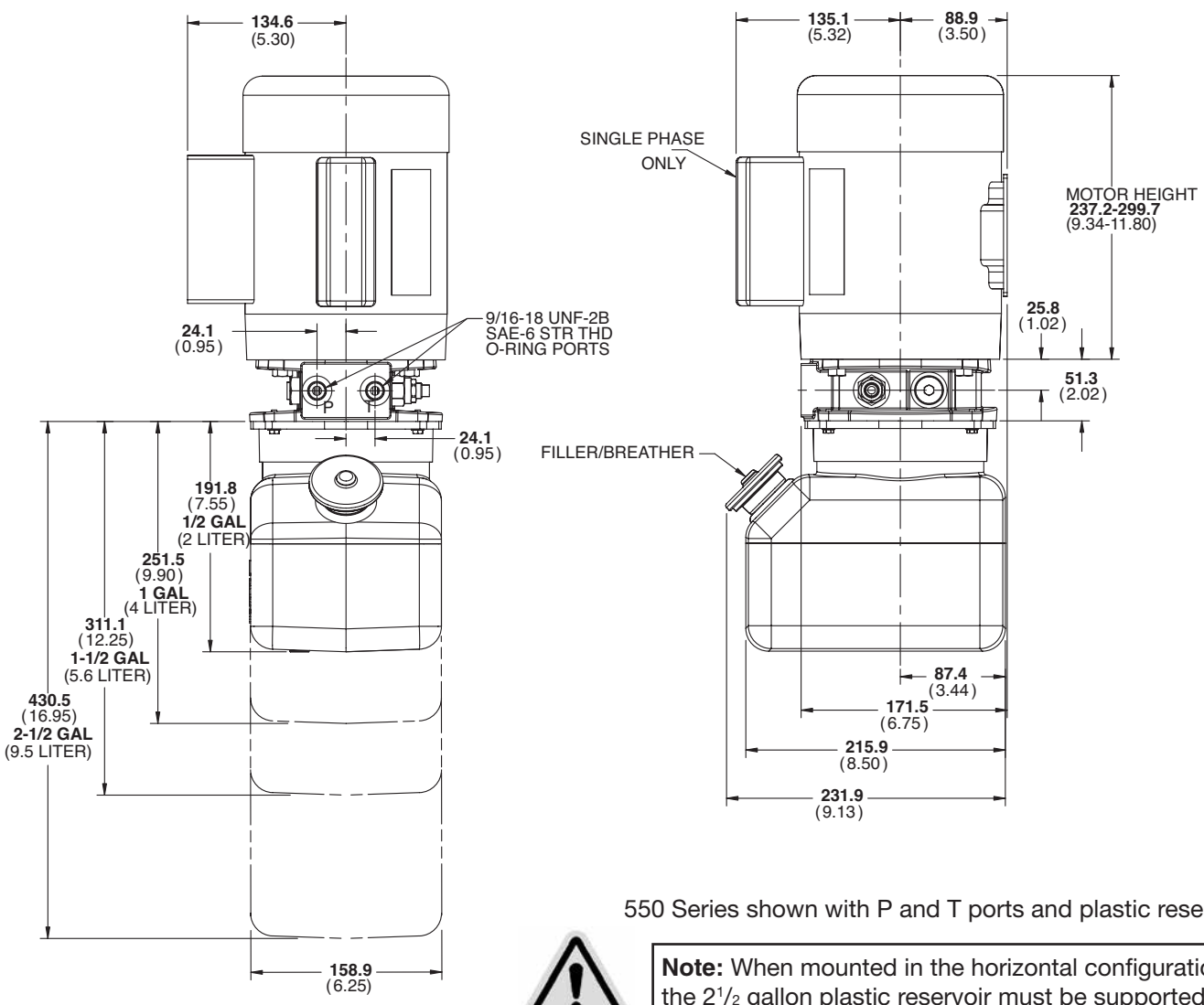


"D0" CIRCUIT (D03/NG6 VALVE TO BE SELECTED)

NOTE: For optimal performance of the D1 circuit, using an Open or Tandem center D03/NG6 valve is recommended.



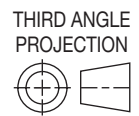
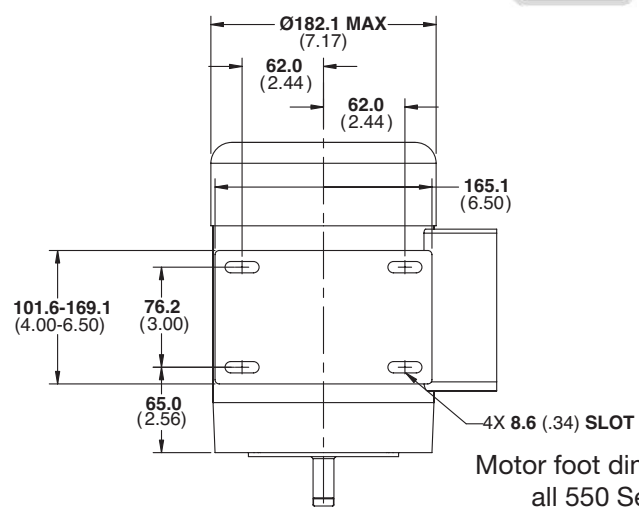
"D1" CIRCUIT INCLUDES MANAPAK DUAL PO CHECK VALVE (D03/NG6 VALVE TO BE SELECTED)



550 Series shown with P and T ports and plastic reservoir

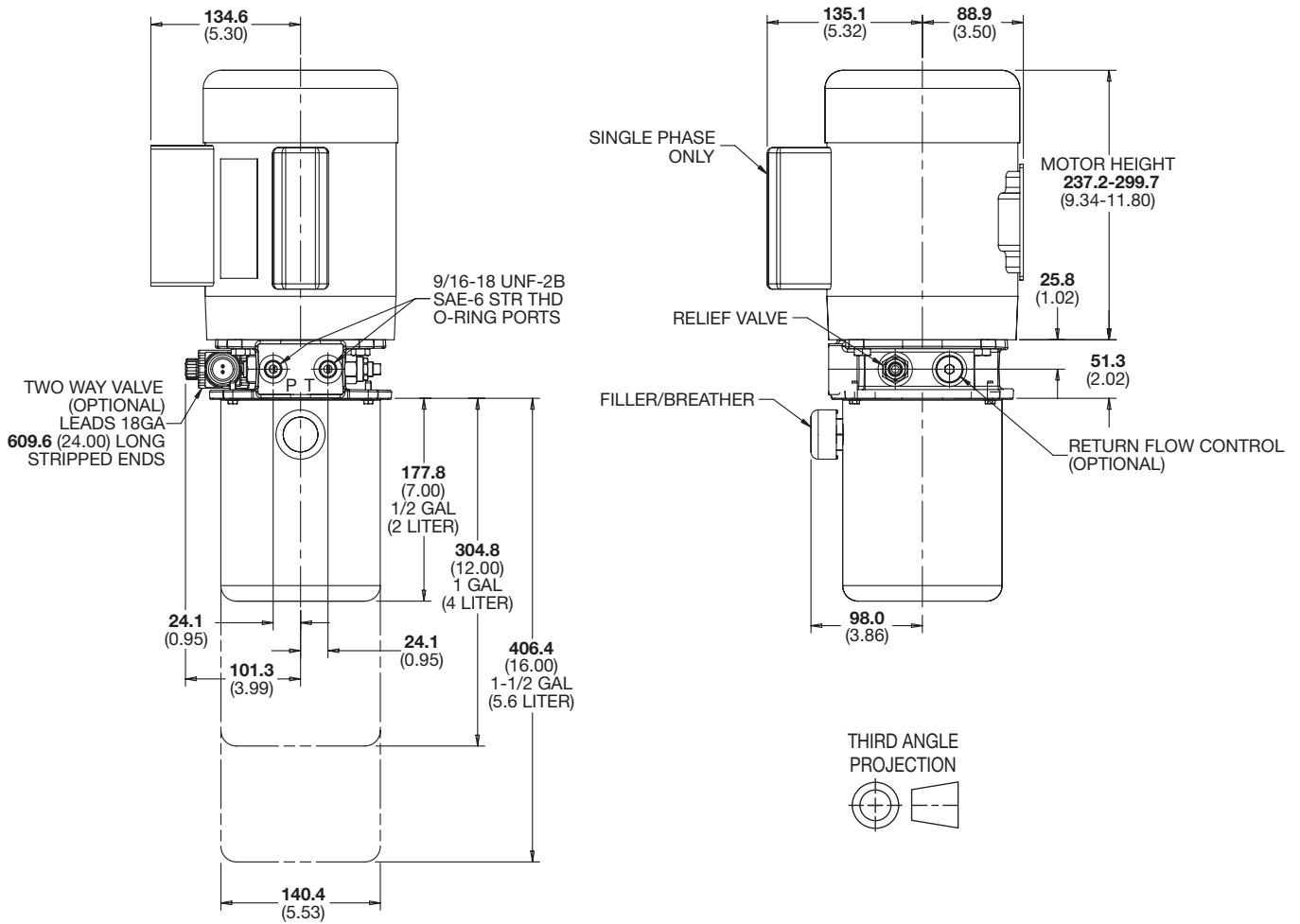


Note: When mounted in the horizontal configuration the 2 1/2 gallon plastic reservoir must be supported.



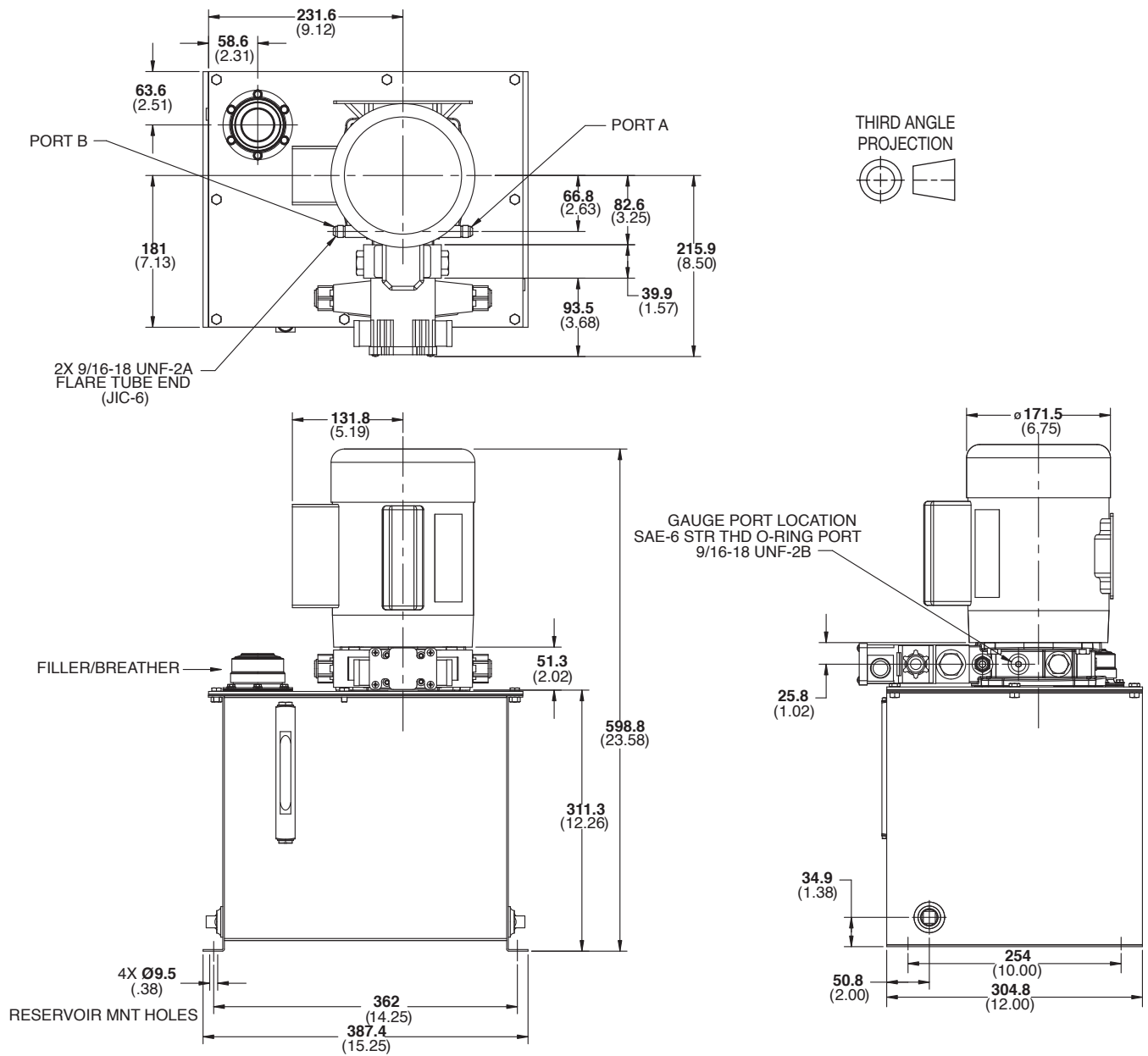
Motor foot dimensions are common to all 550 Series electric motors

Note: All dimensions in mm (inches).



550 Series shown with optional solenoid 2-way valve and steel reservoirs

Note: All dimensions in mm (inches).



550 Series shown with 19 liter (5 gallon) steel reservoir and NG6/D03 valves

Note: All dimensions in mm (inches).



PARKER-HANNIFIN CORPORATION
OFFER OF SALE

The goods, services or work (referred to as the "Products") offered by **Parker-Hannifin Corporation**, its subsidiaries, groups, divisions, and authorized distributors ("Seller") are offered for sale at prices indicated in the offer, or as may be established by Seller. The offer to sell the Products and acceptance of Seller's offer by any customer ("Buyer") is contingent upon, and will be governed by all of the terms and conditions contained in this Offer of Sale. Buyer's order for any Products specified in Buyer's purchase document or Seller's offer, proposal or quote ("Quote") attached to the purchase order, when communicated to Seller verbally, or in writing, shall constitute acceptance of this offer.

1. Terms and Conditions. Seller's willingness to offer Products for sale or accept an order for Products is subject to the terms and conditions contained in this Offer of Sale or any newer version of the same, published by Seller electronically at www.parker.com/saleterms/. Seller objects to any contrary or additional terms or conditions of Buyer's order or any other document or other communication issued by Buyer.

2. Price; Payment. Prices stated on Seller's Quote are valid for thirty (30) days, except as explicitly otherwise stated therein, and do not include any sales, use, or other taxes or duties unless specifically stated. Seller reserves the right to modify prices to adjust for any raw material price fluctuations. Unless otherwise specified by Seller, all prices are F.C.A. Seller's facility (INCOTERMS 2010). Payment is subject to credit approval and payment for all purchases is due thirty (30) days from the date of invoice (or such date as may be specified by Seller's Credit Department). Unpaid invoices beyond the specified payment date incur interest at the rate of 1.5% per month or the maximum allowable rate under applicable law.

3. Shipment; Delivery; Title and Risk of Loss. All delivery dates are approximate. Seller is not responsible for damages resulting from any delay. Regardless of the manner of shipment, delivery occurs and title and risk of loss or damage pass to Buyer, upon placement of the Products with the shipment carrier at Seller's facility. Unless otherwise stated, Seller may exercise its judgment in choosing the carrier and means of delivery. No deferment of shipment at Buyers' request beyond the respective dates indicated will be made except on terms that will indemnify, defend and hold Seller harmless against all loss and additional expense. Buyer shall be responsible for any additional shipping charges incurred by Seller due to Buyer's acts or omissions.

4. Warranty. Seller warrants that the Products sold hereunder shall be free from defects in material or workmanship for a period of twelve (12) months from the date of delivery or 2,000 hours of normal use, whichever occurs first. All prices are based upon the exclusive limited warranty stated above, and upon the following disclaimer: **DISCLAIMER OF WARRANTY: THIS WARRANTY IS THE SOLE AND ENTIRE WARRANTY PERTAINING TO PRODUCTS PROVIDED. SELLER DISCLAIMS ALL OTHER WARRANTIES, EXPRESS AND IMPLIED, INCLUDING DESIGN, MERCHANTABILITY AND FITNESS FOR A PARTICULAR PURPOSE.**

5. Claims; Commencement of Actions. Buyer shall promptly inspect all Products upon receipt. No claims for shortages will be allowed unless reported to the Seller within ten (10) days of delivery. No other claims against Seller will be allowed unless asserted in writing within thirty (30) days after delivery. Buyer shall notify Seller of any alleged breach of warranty within thirty (30) days after the date the defect is or should have been discovered by Buyer. Any claim or action against Seller based upon breach of contract or any other theory, including tort, negligence, or otherwise must be commenced within twelve (12) months from the date of the alleged breach or other alleged event, without regard to the date of discovery.

6. LIMITATION OF LIABILITY. IN THE EVENT OF A BREACH OF WARRANTY, SELLER WILL, AT ITS OPTION, REPAIR OR REPLACE A DEFECTIVE PRODUCT, OR REFUND THE PURCHASE PRICE WITHIN A REASONABLE PERIOD OF TIME. **IN NO EVENT IS SELLER LIABLE FOR ANY SPECIAL, INDIRECT, INCIDENTAL OR CONSEQUENTIAL DAMAGES ARISING OUT OF, OR AS THE RESULT OF, THE SALE, DELIVERY, NON-DELIVERY, SERVICING, USE OR LOSS OF USE OF THE PRODUCTS OR ANY PART THEREOF, OR FOR ANY CHARGES OR EXPENSES OF ANY NATURE INCURRED WITHOUT SELLER'S WRITTEN CONSENT, WHETHER BASED IN CONTRACT, TORT OR OTHER LEGAL THEORY. IN NO EVENT SHALL SELLER'S LIABILITY UNDER ANY CLAIM MADE BY BUYER EXCEED THE PURCHASE PRICE OF THE PRODUCTS.**

7. User Responsibility. The user, through its own analysis and testing, is solely responsible for making the final selection of the system and Product and assuring that all performance, endurance, maintenance, safety and warning requirements of the application are met. The user must analyze all aspects of the application and follow applicable industry standards and Product information. If Seller provides Product or system options based upon data or specifications provided by the user, the user is responsible for determining that such data and specifications are suitable and sufficient for all applications and reasonably foreseeable uses of the Products or systems.

8. Loss to Buyer's Property. Any designs, tools, patterns, materials, drawings, confidential information or equipment furnished by Buyer or any other items which become Buyer's property, will be considered obsolete and may be destroyed by Seller after two (2) consecutive years have elapsed without Buyer ordering the items manufactured using such property. Seller shall not be responsible for any loss or damage to such property while it is in Seller's possession or control.

9. Special Tooling. A tooling charge may be imposed for any special tooling, including without limitation, dies, fixtures, molds and patterns, acquired to manufacture Products. Such special tooling shall be and remain Seller's property notwithstanding payment of any charges by Buyer. In no event will Buyer acquire any interest in apparatus belonging to Seller which is utilized in the manufacture of the Products, even if such apparatus has been specially converted or adapted for such manufacture and notwithstanding any charges paid by Buyer. Unless otherwise agreed, Seller has the right to alter, discard or otherwise dispose of any special tooling or other property in its sole discretion at any time.

10. Buyer's Obligation; Rights of Seller. To secure payment of all sums due or otherwise, Seller retains a security interest in all Products delivered to Buyer and this agreement is deemed to be a Security Agreement under the Uniform Commercial Code. Buyer authorizes Seller as its attorney to execute and file on Buyer's behalf all documents Seller deems necessary to perfect its security interest.

11. Improper Use and Indemnity. Buyer shall indemnify, defend, and hold Seller harmless from any losses, claims, liabilities, damages, lawsuits, judgments and costs (including attorney fees and defense costs), whether for personal injury, property damage, patent, trademark or copyright infringement or any other claim, brought by or incurred by Buyer, Buyer's employees, or any other person, arising out of: (a) improper selection, application, design, specification or other misuse of Products purchased by Buyer from Seller; (b) any act or omission, negligent or otherwise, of Buyer; (c) Seller's use of patterns, plans, drawings, or specifications furnished by Buyer to manufacture Products; or (d) Buyer's failure to comply with these terms and conditions. Seller shall not indemnify Buyer under any circumstance except as otherwise provided.

12. Cancellations and Changes. Buyer may not cancel or modify or cancel any order for any reason, except with Seller's written consent and upon terms that will indemnify, defend and hold Seller harmless against all direct, incidental and consequential loss or damage. Seller may change Product features, specifications, designs and availability.

13. Limitation on Assignment. Buyer may not assign its rights or obligations under this agreement without the prior written consent of Seller.

14. Force Majeure. Seller does not assume the risk and is not liable for delay or failure to perform any of Seller's obligations by reason of events or circumstances beyond its reasonable control (hereinafter "Events of Force Majeure"). Events of Force Majeure shall include without limitation: accidents, strikes or labor disputes, acts of any government or government agency, acts of nature, delays or failures in delivery from carriers or suppliers, shortages of materials, or any other cause beyond Seller's reasonable control.

15. Waiver and Severability. Failure to enforce any provision of this agreement will not invalidate that provision; nor will any such failure prejudice Seller's right to enforce that provision in the future. Invalidation of any provision of this agreement by legislation or other rule of law shall not invalidate any other provision herein. The remaining provisions of this agreement will remain in full force and effect.

16. Termination. Seller may terminate this agreement for any reason and at any time by giving Buyer thirty (30) days prior written notice. Seller may immediately terminate this agreement, in writing, if Buyer: (a) breaches any provision of this agreement (b) appoints a trustee, receiver or custodian for all or any part of Buyer's property (c) files a petition for relief in bankruptcy on its own behalf, or one if filed by a third party (d) makes an assignment for the benefit of creditors; or (e) dissolves its business or liquidates all or a majority of its assets.

17. Governing Law. This agreement and the sale and delivery of all Products are deemed to have taken place in, and shall be governed and construed in accordance with, the laws of the State of Ohio, as applicable to contracts executed and wholly performed therein and without regard to conflicts of laws principles. Buyer irrevocably agrees and consents to the exclusive jurisdiction and venue of the courts of Cuyahoga County, Ohio with respect to any dispute, controversy or claim arising out of or relating to this agreement.

18. Indemnity for Infringement of Intellectual Property Rights. Seller is not liable for infringement of any patents, trademarks, copyrights, trade dress, trade secrets or similar rights except as provided in this Section. Seller will defend and indemnify Buyer against allegations of infringement of U.S. patents, U.S. trademarks, copyrights, trade dress and trade secrets ("Intellectual Property Rights"). Seller will defend at its expense and will pay the cost of any settlement or damages awarded in an action brought against Buyer based on an allegation that a Product sold pursuant to this agreement infringes the Intellectual Property Rights of a third party. Seller's obligation to defend and indemnify Buyer is contingent on Buyer notifying Seller within ten (10) days after Buyer becomes aware of such allegations of infringement, and Seller having sole control over the defense of any allegations or actions including all negotiations for settlement or compromise. If a Product is subject to a claim that it infringes the Intellectual Property Rights of a third party, Seller may, at its sole expense and option, procure for Buyer the right to continue using the Product, replace or modify the Product so as to make it noninfringing, or offer to accept return of the Product and refund the purchase price less a reasonable allowance for depreciation. Notwithstanding the foregoing, Seller is not liable for claims of infringement based on information provided by Buyer, or directed to Products delivered hereunder for which the designs are specified in whole or part by Buyer, or infringements resulting from the modification, combination or use in a system of any Product sold hereunder. The foregoing provisions of this Section constitute Seller's sole and exclusive liability and Buyer's sole and exclusive remedy for infringement of Intellectual Property Rights.

19. Entire Agreement. This agreement contains the entire agreement between the Buyer and Seller and constitutes the final, complete and exclusive expression of the terms of sale. All prior or contemporaneous written or oral agreements or negotiations with respect to the subject matter are herein merged. The terms contained herein may not be modified unless in writing and signed by an authorized representative of Seller.

20. Compliance with Laws. Buyer agrees to comply with all applicable laws, regulations, and industry and professional standards of care, including those of the United Kingdom the United States of America, and the country or countries in which Buyer may operate, including without limitation the U. K. Bribery Act, the U.S. Foreign Corrupt Practices Act ("FCPA"), the U.S. Anti-Kickback Act ("Anti-Kickback Act") and the U.S. Food Drug and Cosmetic Act ("FDCA"), each as currently amended, and the rules and regulations promulgated by the U.S. Food and Drug Administration ("FDA"), and agrees to indemnify and hold harmless Seller from the consequences of any violation of such provisions by Buyer, its employees or agents. Buyer acknowledges that it is familiar with the provisions of the U. K. Bribery Act, the FCPA, the FDA, and the Anti-Kickback Act, and certifies that Buyer will adhere to the requirements thereof. In particular, Buyer represents and agrees that Buyer will not make any payment or give anything of value, directly or indirectly to any governmental official, any foreign political party or official thereof, any candidate for foreign political office, or any commercial entity or person, for the purpose of influencing such person to purchase Products or otherwise benefit the business of Seller.