

80 CND Low Pressure Duplex Filter

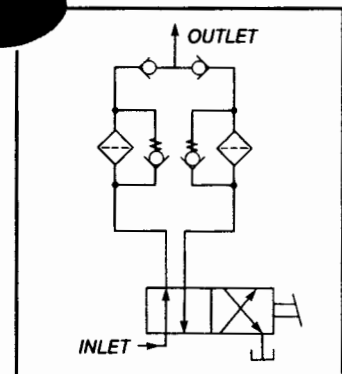
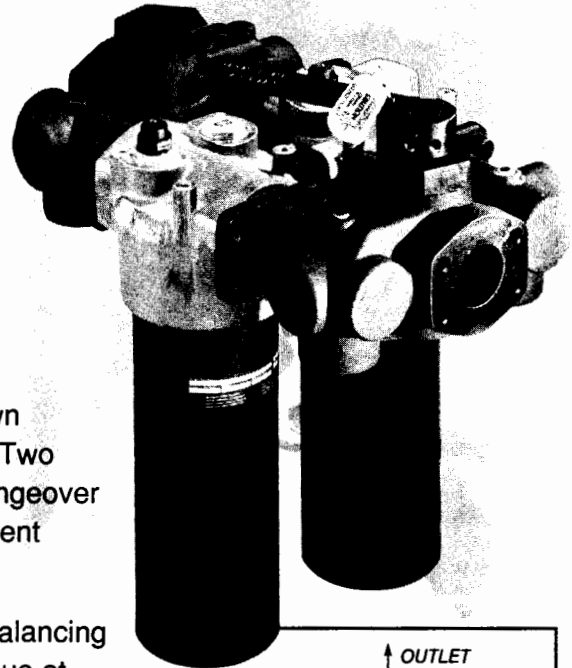
Bulletin 2300-347/NA

- For continuous, uninterrupted filtration
- Pressure ratings to 300 psi (20 bar)
- Flow rates to 75 gpm (284 lpm)
- Durable, compact design
- 3 micron absolute ($B_3 = 75$) to 10 micron nominal ($B_{10}=2$) media
- Reliable performance and operation

Parker's new 80CND duplex filter is designed to meet industry's need for a low pressure, high flow, bowl-down configuration to satisfy a wide range of potential uses. Two field proven products, the 80CN filter and the Moduflow™ changeover valve, are combined to provide the user the benefit of consistent quality and performance.

The manual changeover valve features automatic pressure balancing between the two housings, and requires only 25 ft.-lbs. of torque at maximum rated pressure. The valve handle points over the filter housing that is in operation, eliminating the chance of servicing the wrong filter when the system is running. Back flow to the out-of-service filter housing is prevented by the outlet valve. After the element is replaced, a separate bleed valve on the cover allows air to be purged when the changeover valve is shifted the next time.

The 80CND is an excellent filtration tool for many applications. Its many features combine to make it the ideal duplex filter.



Applications

Low pressure hydraulic and lubrication systems where:

- Continuous, uninterrupted operation is the primary concern.
- Constant filtration is necessary.
- The cost of filter servicing downtime is expensive.
- Quick and easy transfer of fluid flow from a "dirty" to "clean" filter is required.

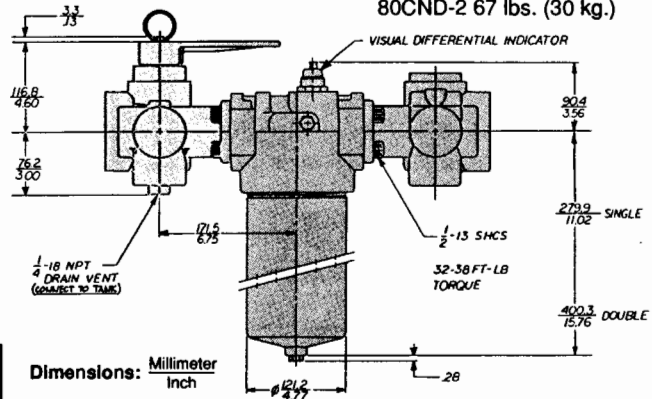
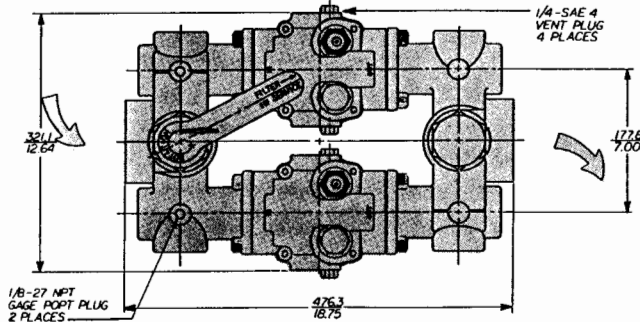


Features	Advantage	Benefits
Disc-style changeover valve assembly.	Virtually zero leakage.	Optimal performance with no fluid bypass.
Single and double lengths.	High dirt capacities, low pressure drops.	Maximum time between element change-outs.
Visual and/or electrical indicators.	Know at a glance when to service the filter.	Reduces cost by eliminating the guess work.
Variety of depth-type media available.	Enables you to match the media to the circuit needs.	Saves money by avoiding both over, or under, filtration.
Bowl-down arrangement.	Easy to remove and clean for element servicing.	Contamination is not reintroduced into the system during servicing.

Specifications & Dimensions

Maximum allowable operating pressure (MAOP): 300 psi (20 bar)
 Operating temperature: -40° F to 225° F (-40° C to 107° C)
 Element collapse rating: 150 psid minimum

Element condition indicators: Differential pressure type; visual and visual/electrical
 Filter and valve housing: Aluminum
 Weight (Approximate): 80CND-1 62 lbs. (28 kg.)
 80CND-2 67 lbs. (30 kg.)



Ordering Information

How to Order
 Select the desired symbol (in the correct position) to construct a model code.

Box 1	Box 2	Box 3	Box 4	Box 5	Box 6	Box 7	Box 8	Box 9
	80CND	1	10B	M	50	YEYE	1	

Replacement Elements

80CND-1		
MEDIA	BUNA	VITON
10C	929909	929912
20B	929899	929903
10B	929897	929901
03B	929896	929900
WR	931415	931416

80CND-2		
MEDIA	BUNA	VITON
10C	929933	929936
20B	929923	929927
10B	929921	929925
03B	929920	929924
WR	931417	931418

BOX 1: SEALS	
Symbol	Description
None	Buna N (Nitrile)
F1	EPR
F3	Viton

BOX 2: MODEL	
Symbol	Description
80CND	Duplex

BOX 3: HOUSING LENGTH	
Symbol	Description
1	Single
2	Double

BOX 4: MEDIA CODE	
Symbol	Description
10C	Cellulose
20B	Microglass
10B	Microglass
03B	Microglass
WR	Water Removal

BOX 5: INDICATOR OPTIONS	
Symbol	Description
M	Visual indicator
M1	Visual with thermal lockout
M2	Visual automatic reset
E	Electrical (with 1/2" NPT conduit connection and wire leads)
E1	Electrical (with 12 leads only)
E2	Electrical (with DIN 43650 3-pole connector)
E3	Electrical (with 3-pin ANSI/B.93.55m con.)
N	No indicator (use with "-11" option, bypass valve)
P	No indicator (use when filter model is equipped with a bypass valve)

BOX 6: BYPASS AND/OR INDICATOR SETTING	
Symbol	Description
25	25 psi (1.7 bar) setting
50	50 psi (3.4 bar) setting
	If "no bypass" option (-11) and an indicator is selected, above symbols (25, 50) denote indicator setting.

BOX 7: PORTS	
Symbol	Description
Y9Y9	2" SAE Flange Faces
YEYE	1-1/2" NPTF Flanges
YPYP	SAE-24 Flanges
YFYF	2" NPTF Flanges

BOX 8: OPTIONS	
Symbol	Description
1	None
11	No bypass
19	Drain port on bowl
21	No bypass and drain port

BOX 9: DESIGN NUMBER	
Applied to filter assembly by Hydraulic Filter Division. Use the full filter model code, including the design number when ordering replacement parts, elements and cartridges.	



Parker Hannifin Corporation
 Hydraulic Filter Division
 16810 Fulton County Road #2
 Metamora, Ohio 43540
 (419) 644-4311
 FAX: 419 644-6205



WARNING
 FAILURE OR IMPROPER SELECTION OR IMPROPER USE OF THE PRODUCTS AND/OR SYSTEMS DESCRIBED HEREIN OR RELATED ITEMS CAN CAUSE DEATH, PERSONAL INJURY AND PROPERTY DAMAGE.

This document and other information from Parker Hannifin Corporation, its subsidiaries and authorized distributors provide product and/or system options for further investigation by users having technical expertise. It is important that you analyze all aspects of your application and review the information concerning the product or system in the current product catalog. Due to the variety of operating conditions and applications for these products or systems, the user, through its own analysis and testing, is solely responsible for making the final selection of the products and systems and assuring that all performance, safety and warning requirements of the application are met.

The products described herein, including without limitation, product features, specifications, designs, availability and pricing, are subject to change by Parker Hannifin Corporation and its subsidiaries at any time without notice.