

DF60

Duplex Filters

Max. 350 l/min. 30 bar



Heavy duty lubrication

This heavy duty lubrication filter offers maximum performance especially in those applications using high viscosity lubricating oil. Filtration area has been enlarged to minimize element pressure drop. A perfect choice for a gearbox lubrication system where duplex filter is needed for continuous operation.



Contact Information:

Parker Hannifin
Hydraulic Filter Division Europe

**European Product
Information Centre**
Freephone: 00800 27 27 5374
(from AT, BE, CH, CZ, DE, EE, ES,
FI, FR, IE, IT, PT, SE, SK, UK)
filtrationinfo@parker.com

www.parker.com/hfde

Applications:

- Gearbox lube oil filter
- Turbine lubrication systems
- Medium pressure hydraulic systems

Specification

Duplex filter:

One reservoir can be closed for service, vertical installation.

Connections:

Square flanges with port size 60 mm. Standard delivery includes blind counter flanges. Optionally available with SAE 2" -3000M flange adapters.

Maximum operating pressure:

30 bar

Seal material:

Fluoroelastomer

Operating temperature:

-20°C...+120°C with Fluoroelastomer seals,
-20°C...+160°C with metal mesh elements and
Fluoroelastomer seals

Housing material:

Cast iron (GJS)

Weight:

65 kg

Nominal flow rate (30 cSt):

350 l/min (21 m³/h)

Bypass valve:

Standard bypass opening pressure 3.5 bar, optional opening pressure 1.7 bar or blocked bypass

Indicator options:

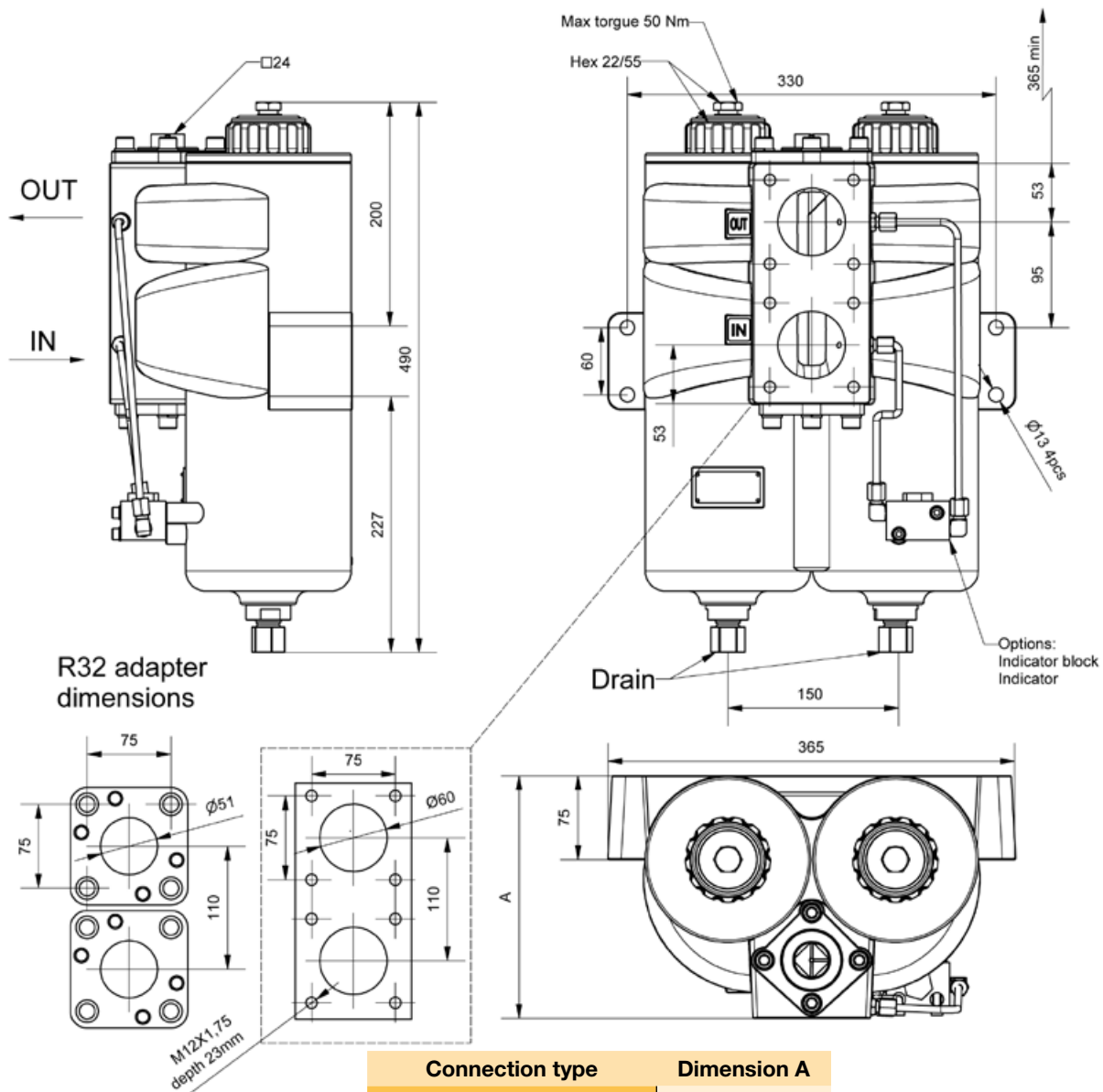
Visual, electrical or electronic indicator requires an indicator block. For details see indicator options table in product description page.

Filtration materials:

- Glassfibre Microglass III
- Cleanable metal mesh

Fluid compatibility:

Suitable for use with regular hydraulic and lubricating oils and diesel oil. For other fluids consult Parker Filtration.



Connection type	Dimension A
W/O flange/adaptor	217
With X60 flange	233
With R32 adapter	246

DF60

Pressure Drop Curves

$$\Delta p_{\text{total}} = \Delta p_{\text{housing}} + \Delta p_{\text{element}}$$

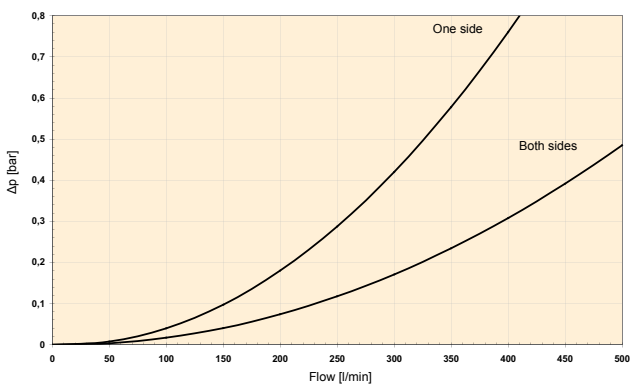
The recommended level of the initial pressure drop for this filter is maximum 0.5 bar.

Δp -curves are measured at 30 cSt.

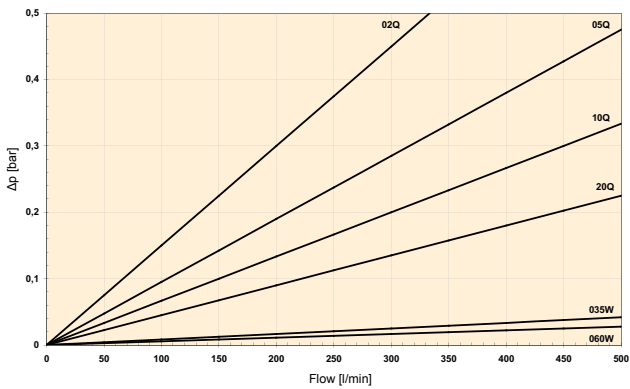
If the medium used has a viscosity different from 30 cSt, pressure drop over the element can be estimated as follows:

$$\Delta p_{\text{total}} = \Delta p_{\text{housing}} + \Delta p_{\text{element}} \times \frac{\text{working viscosity}}{30 \text{ cSt}}$$

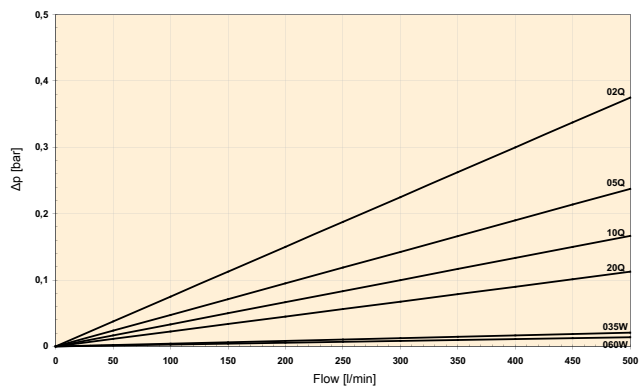
DF60 housing + element adapter



DF60 elements / one side



DF60 elements / both sides



Product Description for DF60

Complete Filter:

Table 1	Table 2	Table 3	Table 4	Table 5	Table 6	Table 7	Table 8
---------	---------	---------	---------	---------	---------	---------	---------

Table 1

FILTER TYPE	
Model	CODE
Duplex filter	DF60

Table 2

FILTER SIZE	
Element length	CODE
Length 1	1

Table 3

DEGREE OF FILTRATION	
Element type	CODE
Microglass III	
Glassfibre 2 µm	02Q
Glassfibre 5 µm	05Q
Glassfibre 10 µm	10Q
Glassfibre 20 µm	20Q
Other medias	
Cleanable metal mesh 35 µm	035W
Cleanable metal mesh 60 µm	060W

Table 4

SEAL TYPE	
Seal material	CODE
Fluoroelastomer	V

Table 5

INDICATORS	
Options	CODE
No indicator block	N
Indicator port plugged	P
Visual indicator	M3
Electrical indicator	T1
Electronic indicator (PNP/N.O.)	F1
Electronic indicator (NPN/N.O.)	F2

Table 6

BYPASS VALVE	
Bypass/indicator setting	CODE
1.7 bar/1.2 bar	G
3.5 bar/2.5 bar	K
No/No	X

Table 7

FILTER CONNECTIONS	
Port size	CODE
Square flange 60 mm	X60
Flange adapter SAE 2"-3000M	R32

Table 8

OPTIONS	
Options	CODE
With bypass	1
No bypass	2

REPLACEMENT ELEMENTS WITH FLUOROELASTOMER SEALS	
Media code	Order code
Glassfibre	Microglass III
02Q	939230Q
05Q	939231Q
10Q	939232Q
20Q	939233Q
Cleanable metal mesh	
035W	939234
060W	939235

SPARE PARTS	
Seal kit for valve spool	CODE
Seal material	
Fluoroelastomer	916045096

Seals needed in element service are included in Parker original replacement element package.

Please note the bolded options reflect standard options with reduced lead-time.

WARNING – USER RESPONSIBILITY

FAILURE OR IMPROPER SELECTION OR IMPROPER USE OF THE PRODUCTS DESCRIBED HEREIN OR RELATED ITEMS CAN CAUSE DEATH, PERSONAL INJURY AND PROPERTY DAMAGE.

- This document and other information from Parker-Hannifin Corporation, its subsidiaries and authorized distributors provide product or system options for further investigation by users having technical expertise.
- The user, through its own analysis and testing, is solely responsible for making the final selection of the system and components and assuring that all performance, endurance, maintenance, safety and warning requirements of the application are met. The user must analyze all aspects of the application, follow applicable industry standards, and follow the information concerning the product in the current product catalogue and in any other materials provided from Parker or its subsidiaries or authorized distributors.
- To the extent that Parker or its subsidiaries or authorized distributors provide component or system options based upon data or specifications provided by the user, the user is responsible for determining that such data and specifications are suitable and sufficient for all applications and reasonably foreseeable uses of the components or systems.