

# Environmental Air Filters

## Reservoir Equipment



## When it comes to 'green' breathing

### Ecology and Economy

EAB Series and ABL Series environmental air filters provide hydraulic system designers, OEM's and end users eco-friendly advantages for a wide range of mobile applications such as forestry equipment and industrial uses such as industrial power units.



## Contact Information:

Parker Hannifin  
**Hydraulic Filter Division Europe**

**European Product  
Information Centre**  
Freephone: 00800 27 27 5374  
(from AT, BE, CH, CZ, DE, EE, ES,  
FI, FR, IE, IT, PT, SE, SK, UK)  
filtrationinfo@parker.com

[www.parker.com/hfde](http://www.parker.com/hfde)

## Product Features:

- EAB Series – air flows up to 1500 l/min. Visual gauge option.
- ABL Series – 3 micron Abs. *LEIF*® element. 2 sizes.
- 2 environmental breather options suitable for most applications.

# ABL Series

## Reservoir Equipment

### Typical Applications



### The Parker Filtration ABL-1 and ABL-2 Series Air Filters.

- Saw mills
- Agricultural machines
- Articulated dump trucks
- Forestry equipment
- Wheeled loaders
- Lubricating systems
- Excavators
- Industrial power units
- Mobile cranes

### Technical Data

**Assembly:**

Tank top mounted.

**Connections:**

Threads G1<sup>1</sup>/<sub>4</sub> (ISO 228), 1<sup>1</sup>/<sub>2</sub>" (UN-16-2B).

**Seal material:**

Seals integrated in *LEIF*<sup>®</sup> element.

**Operating temperature range:**

-20° to +80°C.

**Filtration media:**

3 micron abs (Beta value= $\beta_{75} \geq 3$  in air).

**Flow fatigue characteristics:**

Filter media is supported so that the optimal fatigue life is achieved.

**Vacuum indicator:**

ABL-1 on request only, ABL-2 0.04 bar. Visual with latch out memory.

**Breather housing:**

High impact strength composite.

**Filter element:**

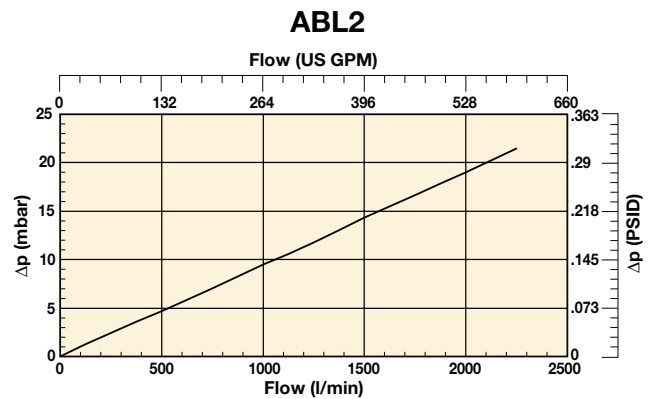
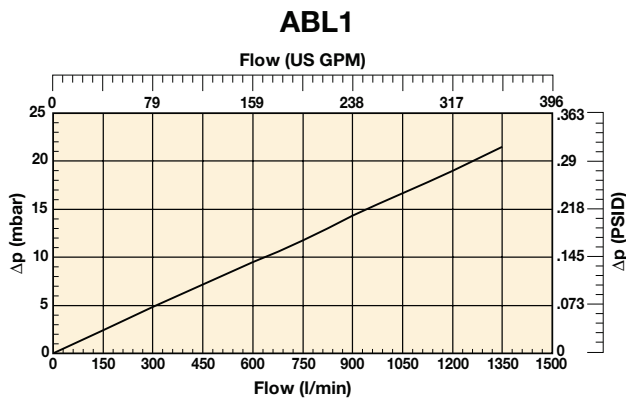
*LEIF*<sup>®</sup> element.

**Options:**

- Adaptor with filter connection.
- Single adaptor.
- Breather with integrated pressure relieve valve for pressurised tank on request only.

*LEIF*<sup>®</sup> elements can be used for hydraulic fluids and HEES type fluids only. For other fluids contact Parker Filtration.

### Pressure Drop Curves

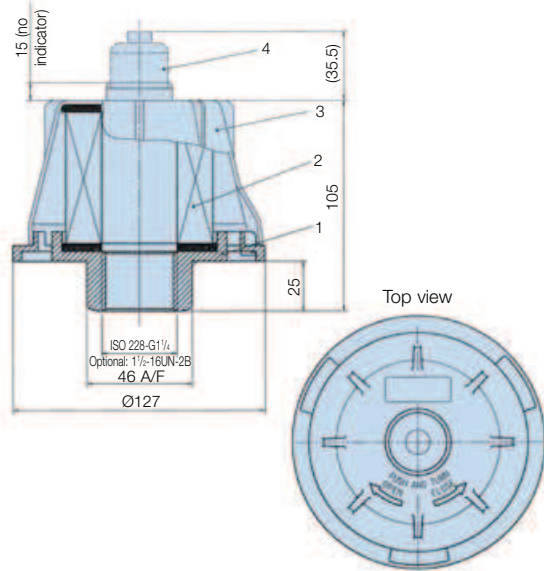


# ABL Series

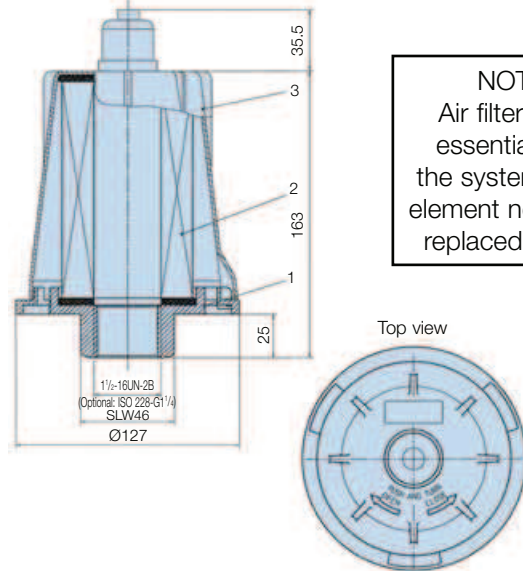
## Reservoir Equipment

### Specification

#### ABL-1



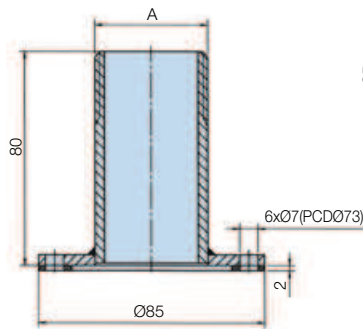
#### ABL-2



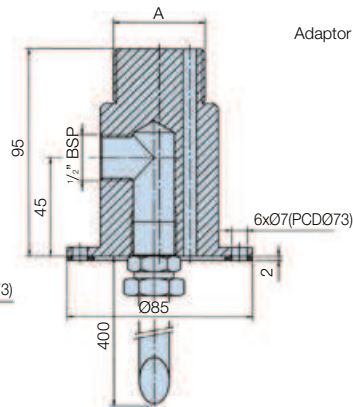
**NOTICE!**  
Air filters are an essential part of the system and the element needs to be replaced regularly.

### Extensions and filling mounting adaptors

Adaptor single



Adaptor with filler connection



## Ordering Information

### Standard products table

| Part number              | Supersedes                                      | Replacement elements |
|--------------------------|---|----------------------|
| <b>ABL1G114QXWL3</b>     | ABL1-G1 <sup>1</sup> / <sub>4</sub> -QXWL-3     | <b>QXWL3</b>         |
| <b>ABL2G114QXWL13V</b>   | ABL2-G1 <sup>1</sup> / <sub>4</sub> -QXWL-1-3-V | <b>QXWL13</b>        |
| <b>ABL2U112QXWL13V</b>   | ABL2-U1 <sup>1</sup> / <sub>2</sub> -QXWL-1-3-V | <b>QXWL13</b>        |
| <b>ADAPTOR ABLG114FP</b> | ADAPTOR-ABL-G1 <sup>1</sup> / <sub>4</sub> -FP  | -                    |

### Product configurator – Air Breather

| Product number |            | Mounting options |  | Filtration (3µm) |           | Indicators |        | Options |                                |
|----------------|------------|------------------|--|------------------|-----------|------------|--------|---------|--------------------------------|
| <b>ABL1</b>    | 1000 l/min | <b>G114</b>      | ISO 228 - G1 <sup>1</sup> / <sub>4</sub> (BSP) | <b>QXWL3</b>     | ABL1 Only |            | None   |         | None                           |
| <b>ABL2</b>    | 2000 l/min | <b>U112</b>      | 1 <sup>1</sup> / <sub>2</sub> UN-16-2B         | <b>QXWL13</b>    | ABL2 Only | <b>V</b>   | Visual | SNG     | Single adaptor                 |
|                |            |                  |  |                  |           |            |        | FP      | Adaptor With Filler Connection |

### Product configurator – Adaptor

| Product number     | Mounting options |  | Options    |                                |
|--------------------|------------------|--|------------|--------------------------------|
| <b>Adaptor ABL</b> | <b>G114</b>      | ISO 228 - G1 <sup>1</sup> / <sub>4</sub> (BSP) | <b>SNG</b> | Single Adaptor                 |
|                    |                  |  | <b>FP</b>  | Adaptor With Filler Connection |

### Replacement elements

| Part number   | Supersedes | Description |
|---------------|------------|-------------|
| <b>QXWL3</b>  | QXWL-3     | 3µ          |
| <b>QXWL13</b> | QXWL1-3    | 3µ          |

Note 1: Part numbers featured with bold highlighted codes will ensure a 'standard' product selection.

Note 2: Alternate displayed part number selection will require you to contact Parker Filtration for availability.