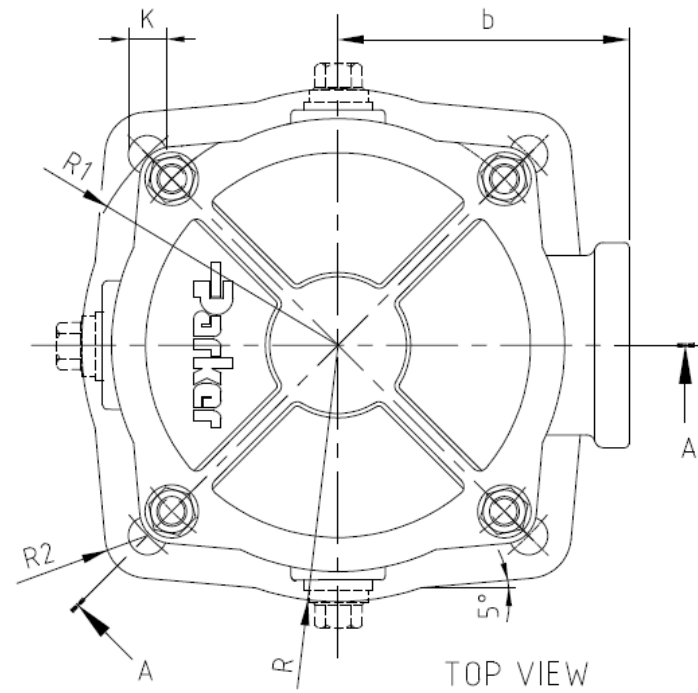


FUNNEL 'T' | FUNNEL 'P'
SECTION A-A



TOP VIEW

Length	Type	Port	h	h1	φD	φD1	H1	H2	H3	b	R	R1	R2	K
2	TTF1-60	G3/4,G1	28	73	φ90	φ93	131	190	190	68	60	63	10	4xφ9
3	TTF1-90						175	190	190					
4	TTF1-120						225	330	330					
5	TTF1-125						325	330	330					
6	TTF2-170							305						
7	TTF2-230		305											
8	TTF2-300	G1-1/4,G1-1/2	36	92	φ132	φ136	510			90	83	87.5	12	4xφ11
9	TTF2-400						525							
							575							
10	TTF2-500													

Dimensions in mm



TTF Single Port
Dimensional drawing