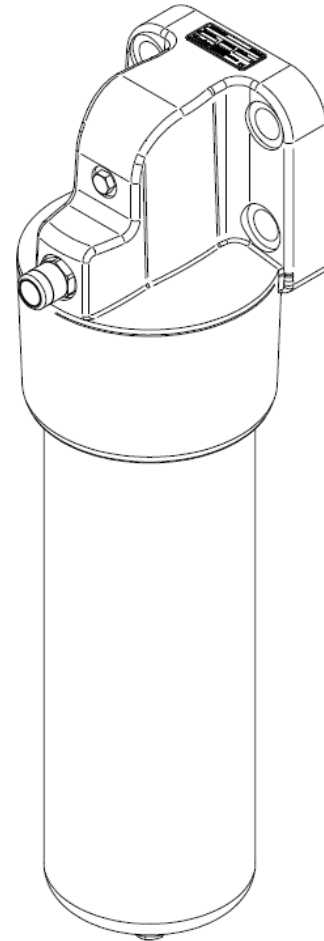
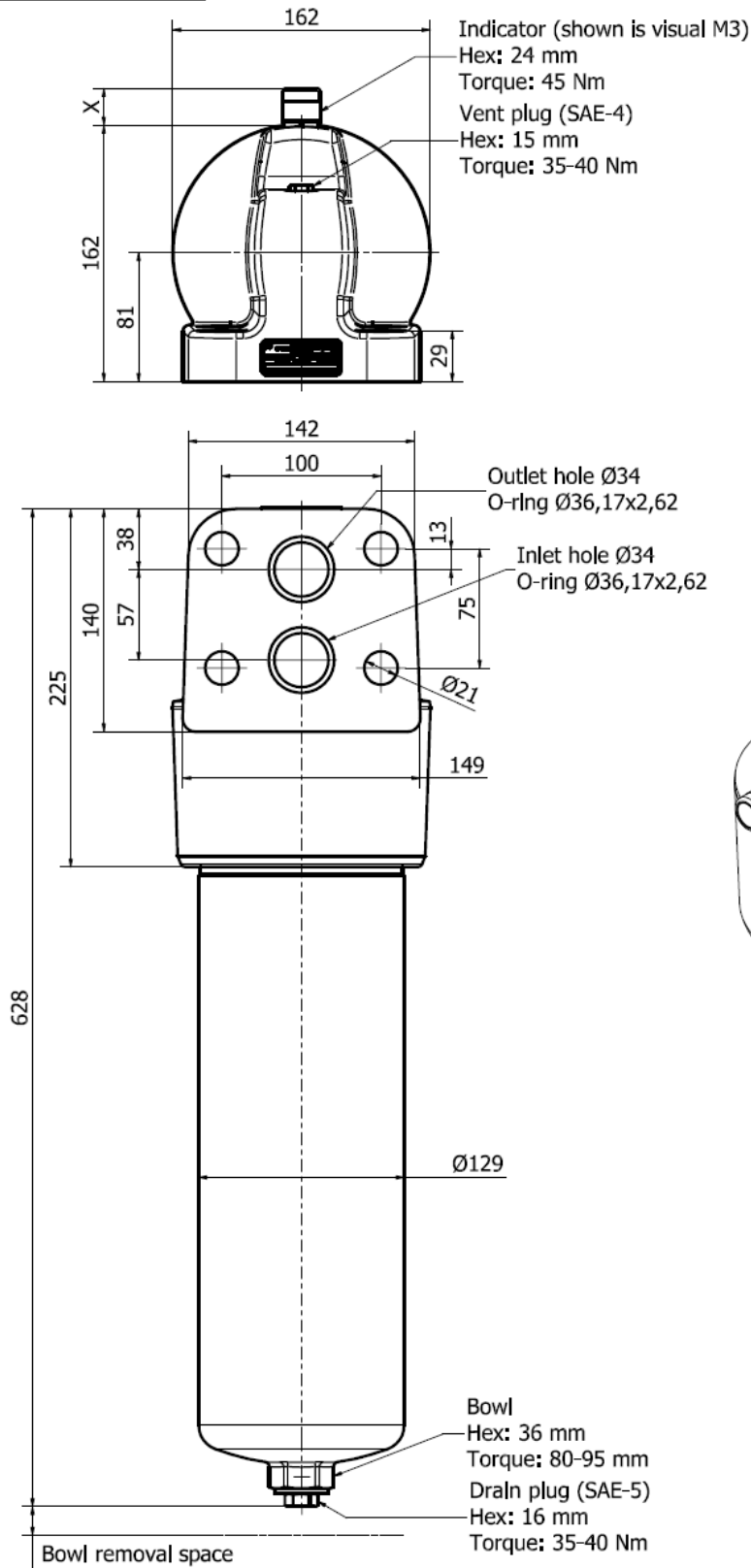


Indicator	x
Plugged	5
Visual M3	22
Electrical T1	68



Bowl removal space	
Element	Value
Standard / High Strength	75
Reverse Flow	100

Dimensions in mm

EPF5 Manifold

Dimensional drawing

