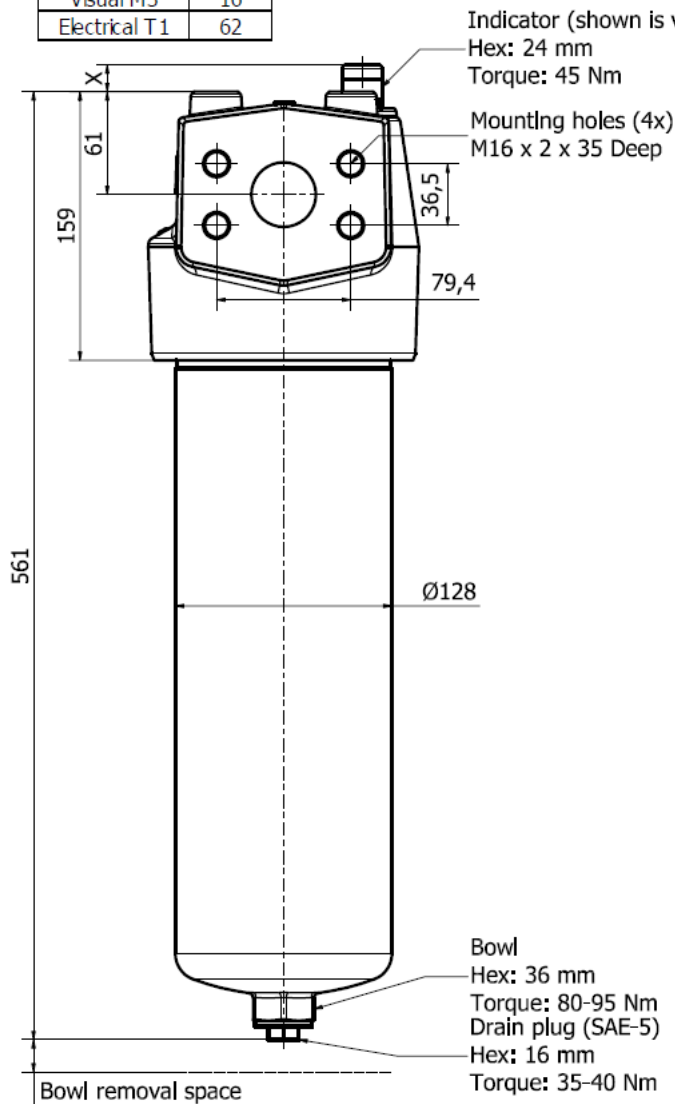


Indicator	x
Plugged	0
Visual M3	16
Electrical T1	62



Shown with
SAE flange 11/2"-6000M

Bowl removal space	
Element	Value
Standard / High Strength	75
Reverse Flow	100

