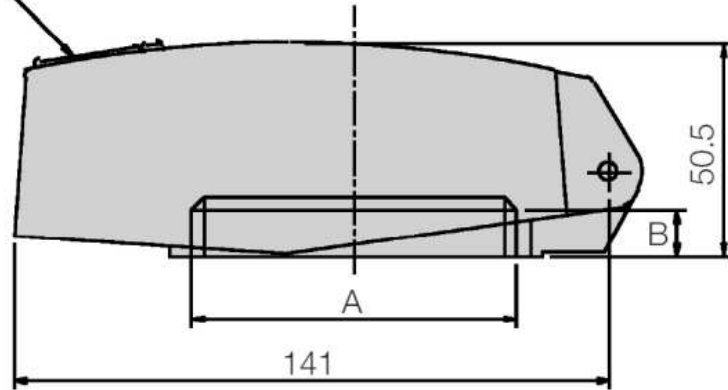


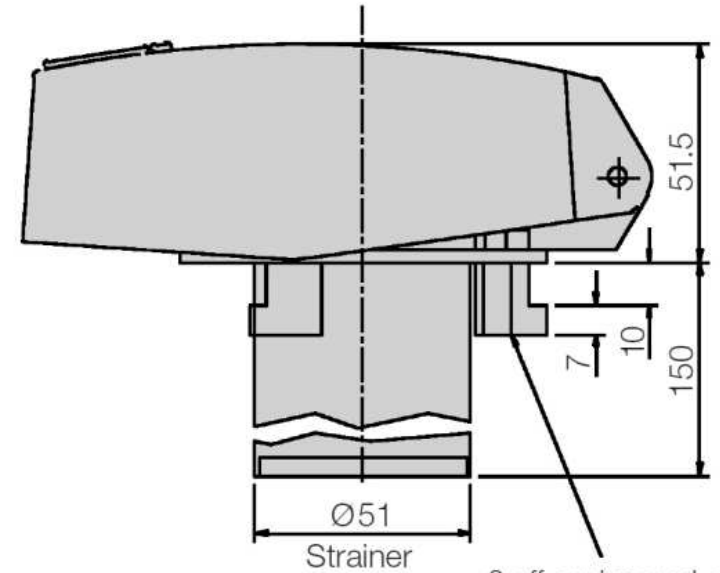
Stand Pipe Mounting

Flap to protect lock



	A	B
Threaded type	G2 or G2½	11 (full thrd)
Push on type	Ø77	12

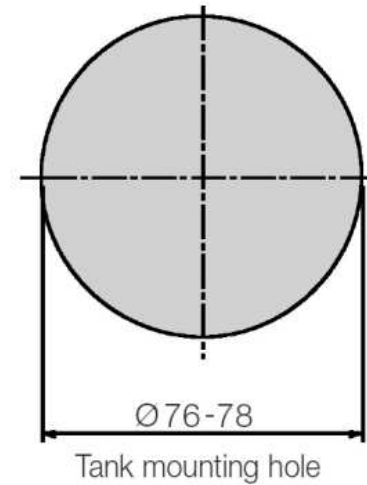
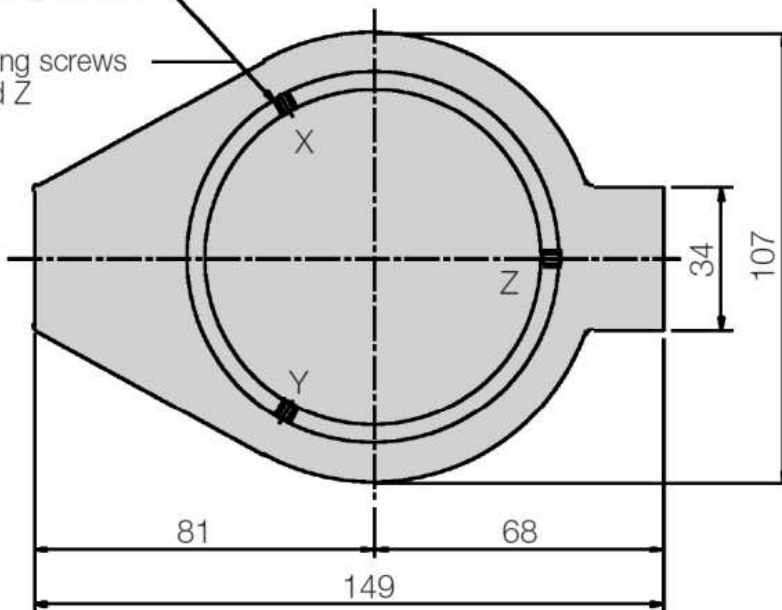
Tank Mounting



3 off equispaced clamps

Threaded type 2 locking screws at positions X and Y

Push on type 3 locking screws at positions X, Y and Z



Dimensions in mm

LFC Lockable Filler Breathers
Dimensional drawing

