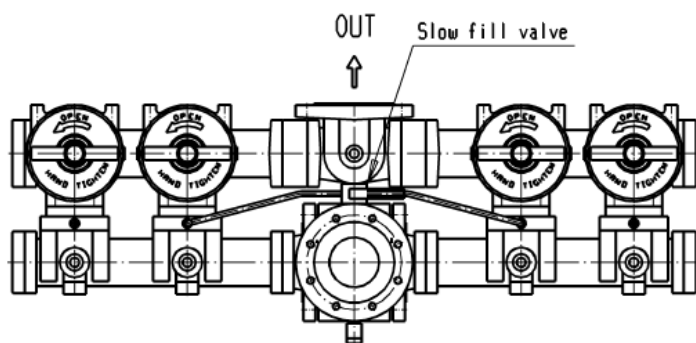


TYPE	A
Length 2	780
Length 3	1340



Dimensions in mm

130S L-system 2+2
Dimensional drawing

