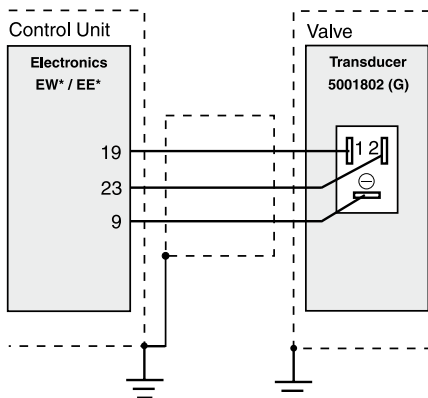


Additional Information 5715-572

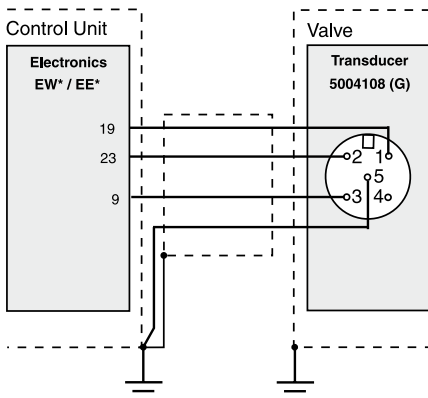
Modified Connector on position transducer regarding EMC/EMI-redesign

New installation

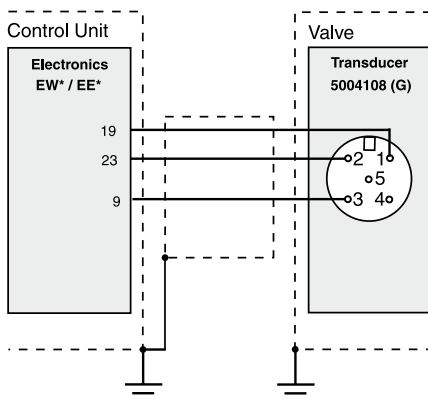
Previous wiring



**New wiring
 (EMC conform)**



**New transducer on
 existing installation**



Technical data connector 5004109

Number of contacts		5
Termination		screwing
Wire gauge	[mm ²]	0.75
Cable outlet	[mm]	max. 8
Shell protection according to DIN VDE 0470 when mated		IP67
Operating temperature	[°C]	-40 ... +85
Rated current per contact	[A]	3
Creep resistance	[KC]	600
Volume resistance	[mOhm]	< 8

