

# Engineered Flange Seal

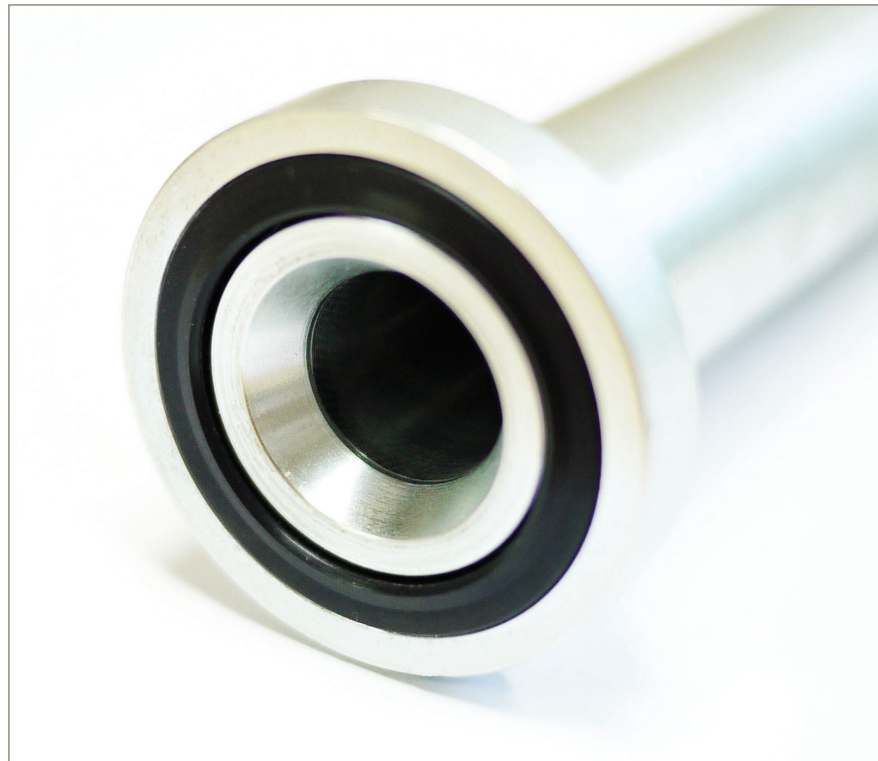
Reduces rework and replacement; provides quick assembly for Code 61 & Code 62 flanges.



## Engineered to seal. Designed to fit.

The Engineered Flange Seal (EFS) is designed to fit precisely into the seal groove of a Parker Code 61 or Code 62 Flange. Unlike standard O-rings that tend to pop out of the flange groove, the engineered shape of EFS fits precisely, providing consistently strong seal retention. O-rings pinching or falling out during assembly will no longer be an issue. O-rings with unsecured retention can cause dangerous, and time consuming hose assembly leaks. EFS reduces the possibility of the O-ring falling out, rework, replacement, and provides for quick assembly.

Your high pressure applications will benefit from its secure, engineered design. After installing Parker's EFS, you can expect reduced downtime and increased confidence from your guaranteed leak-free assembly



## Contact Information:

Parker Hannifin Corporation  
**Fluid Connectors Group**  
**Hose Products Division**  
30240 Lakeland Blvd.  
Wickliffe, OH 44092

phone 440 943 5700  
fax 440 943 3129  
HPDSales@parker.com

[www.parker.com](http://www.parker.com)

## Product Features:

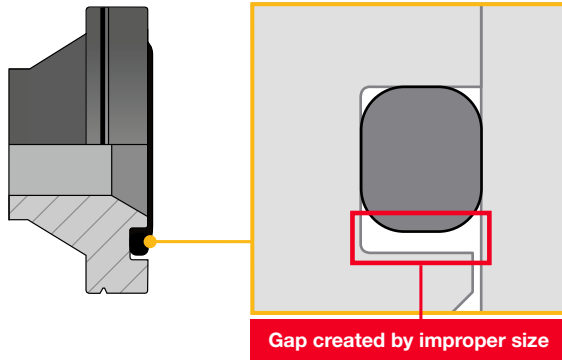
- Secure seal retention before, during and after installation
- Engineered for high pressure applications
- Quick assembly with no tooling or lubrication needed
- Reduced risk of seal damage and leakage
- Ability to withstand working temperatures up to 257° F
- 90 durometer nitrile



**ENGINEERING YOUR SUCCESS.**

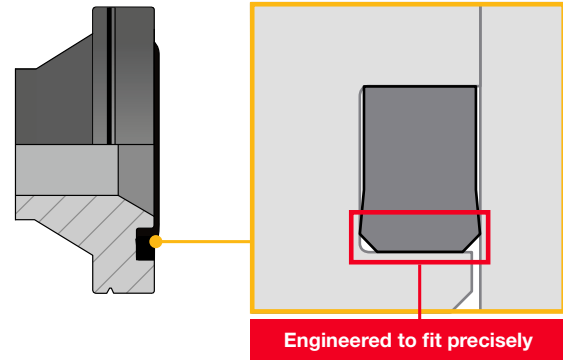
# O-Ring Comparison

## Standard O-Ring



Standard O-rings have an unnatural fit in Code 61 and Code 62 flanges because of their improper size and shape. This off-the-shelf solution creates a gap which can lead to difficult installation, hose assembly leakage and the potential for the O-ring to fall out.

## Engineered Flange Seal



The EFS fits precisely in Code 61 and Code 62 flanges because its shape and size are engineered for the space and application. Its purpose-designed shape reduces the possibility of pop out, and the need to replace or reinstall the O-ring, eliminating costly leakage and time consuming pre-assembly handling.

## Code 61 and Code 62 Part Number Guide

Part Number	Nominal Size	Dash Size	Won't Fall Out	Easy to Install
EFS-8	1/2	-8	✓	✓
EFS-12	3/4	-12	✓	✓
EFS-16	1	-16	✓	✓
EFS-20	1-1/4	-20	✓	✓
EFS-24	1-1/2	-24	✓	✓
EFS-32	2	-32	✓	✓