

New Productivity Tool From Parker!

- **Holds up to 30 dies**
- **Accommodates any size Parkrimp die**
- **Powder-coated, heavy-duty steel construction**

Accessory Bulletin

Swivel Die Rack

- **Stores more dies and die rings in less space**
- **Keeps dies at hand, ready to use**
- **Saves time lost looking for dies**
- **Keeps work station neat and organized**

We Keep Ideas Flowing™



Bulletin No. 4480-B54-USA September, 1998

Parker Hannifin Corporation
Hose Products Division
30240 Lakeland Blvd., Wickliffe, Ohio 44092
Phone: (440) 943-5700 • Fax: (440) 943-3129
www.parker.com

Parker
FluidConnectors

Let Parker's Swivel Die Rack Clean Up Your Act

The convenient new Swivel Die Rack, organizes and stores your collection of dies so they're always ready to work when you are.

Constructed of heavy-duty 10-gauge steel and powder coated for superior durability, the Swivel Die Rack consists of a base unit and up to five circular holders, each with the capacity to hold five or six dies.

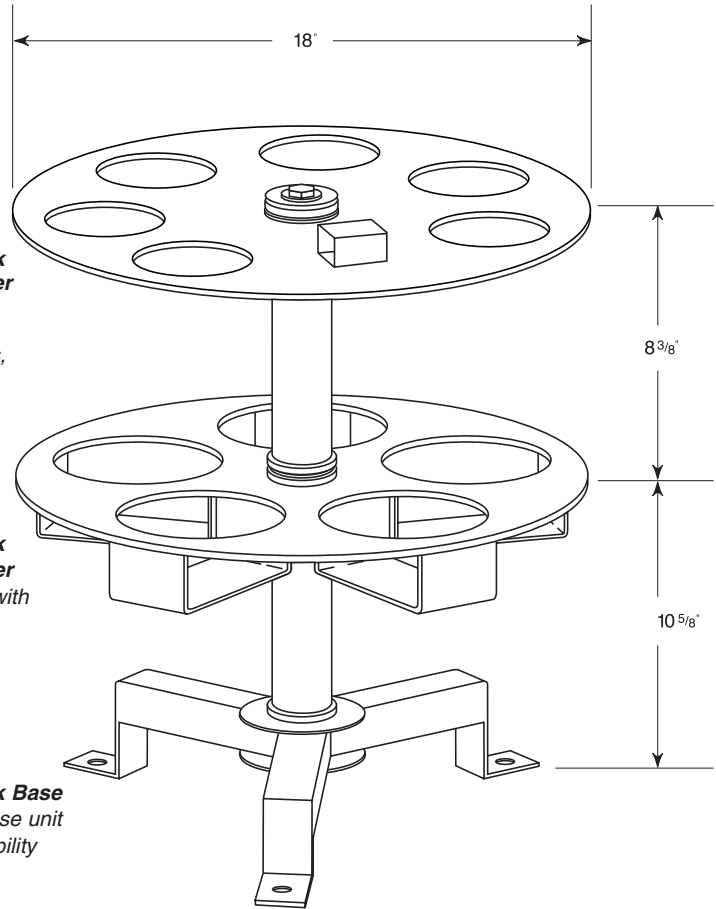
The modular holders, which spin independently for easy die access, can be added or removed as needed, depending upon the number of dies to be stored; and come with all hardware needed for assembly.

The Swivel Die Rack is floor or bench mountable.

Part No. 80C-SDR-SM:
Swivel Die Rack Small Die Holder
Modular holder with cutouts for six small dies, plus block for die ring storage

Part No. 80C-SDR-LG:
Swivel Die Rack Large Die Holder
Modular holder with cutouts for five large dies

Part No. 80C-SDR-Base:
Swivel Die Rack Base
Three-legged base unit designed for stability



NOTE: Swivel Die Rack is designed to stack no more than five die holder levels high.

Assembly is as easy as 1, 2, 3...



1. Attach spindle to base unit



2. Place die holder over spindle



3. Secure with washer and nut provided

DANGER

FAILURE OR IMPROPER SELECTION OR IMPROPER USE OF THE PRODUCTS AND/OR SYSTEMS DESCRIBED HEREIN OR RELATED ITEMS CAN CAUSE DEATH, PERSONAL INJURY AND PROPERTY DAMAGE.

Before selecting or using any Parker hose or fittings or related accessories, it is important that you read and follow Parker Safety Guide for Selecting and Using Hoses, Fittings, and Related Accessories (Parker Publication No. 4400-B.1).

Distributed by:

Bulletin No. 4480-B54-USA September, 1998

Parker Hannifin Corporation
Hose Products Division
30240 Lakeland Blvd., Wickliffe, Ohio 44092
Phone: (440) 943-5700 • Fax: (440) 943-3129
www.parker.com


FluidConnectors