

# R35TC-40 RS35TC-48

Multispiral hoses



## Applicable Specifications

Exceeds ISO 3862 Type R13 (DN65) / ISO 6807-D (DN75)  
– Parker Specifications

## Construction

Tube: Synthetic rubber  
Reinforcement: 6 spirals of high-tensile steel wire  
Cover: High abrasion resistance MSHA approved synthetic rubber

## Recommended Fluids

Petroleum and water-glycol based fluids, lubricating oils, air and water. For air above 1.7 MPa, the hose cover must be pin-pricked. Consult the chemical compatibility section in catalogue CAT4400 pages **Ab-22** to **Ab-30** for more detailed information.

## Temperature Range ... -40 °C up to +125 °C

Exception: Air ..... max. +70 °C  
Water ..... max. +85 °C

## Fitting Series

Steel and stainless steel

**V6**

Part Number	I.D.			O.D. mm	Working Pressure		Burst Pressure		Weight kg/m	Min. Bend Radius mm	
	DN	Inch	Size		MPa	psi	MPa	psi			
R35TC-40	65	2 1/2	-40	63.5	84.80	35.0	5000	140.0	20000	9.00	800
RS35TC-48	75	3	-48	76.2	96.00	35.0*	5000*	88.0	12750	10.00	900
						21.0**	3040**	88.0	12750		

\*Static applications according to ISO 6807-D

\*\*Dynamic hydraulic application safety factor > 4:1

## Improved flow rate

Fluid speed 6 m/s

Flow rate  
736 l/min

Ø 51 mm

+ 55 %

Flow rate  
R35TC-40  
1141 l/min

Ø 63.5 mm

+ 44 %

Flow rate  
RS35TC-48  
1642 l/min

Ø 76.2 mm

## Parker Worldwide

### Europe, Middle East, Africa

**AE – United Arab Emirates**, Dubai  
Tel: +971 4 8127100  
parker.me@parker.com

**AT – Austria**, Wiener Neustadt  
Tel: +43 (0)2622 23501-0  
parker.austria@parker.com

**AT – Eastern Europe**, Wiener Neustadt  
Tel: +43 (0)2622 23501 900  
parker.easteurope@parker.com

**AZ – Azerbaijan**, Baku  
Tel: +994 50 2233 458  
parker.azerbaijan@parker.com

**BE/LU – Belgium**, Nivelles  
Tel: +32 (0)67 280 900  
parker.belgium@parker.com

**BG – Bulgaria**, Sofia  
Tel: +359 2 980 1344  
parker.bulgaria@parker.com

**BY – Belarus**, Minsk  
Tel: +375 17 209 9399  
parker.belarus@parker.com

**CH – Switzerland**, Etoy  
Tel: +41 (0)21 821 87 00  
parker.switzerland@parker.com

**CZ – Czech Republic**, Klecany  
Tel: +420 284 083 111  
parker.czechrepublic@parker.com

**DE – Germany**, Kaarst  
Tel: +49 (0)2131 4016 0  
parker.germany@parker.com

**DK – Denmark**, Ballerup  
Tel: +45 43 56 04 00  
parker.denmark@parker.com

**ES – Spain**, Madrid  
Tel: +34 902 330 001  
parker.spain@parker.com

**FI – Finland**, Vantaa  
Tel: +358 (0)20 753 2500  
parker.finland@parker.com

**FR – France**, Contamine s/Arve  
Tel: +33 (0)4 50 25 80 25  
parker.france@parker.com

**GR – Greece**, Athens  
Tel: +30 210 933 6450  
parker.greece@parker.com

**HU – Hungary**, Budaörs  
Tel: +36 23 885 470  
parker.hungary@parker.com

**IE – Ireland**, Dublin  
Tel: +353 (0)1 466 6370  
parker.ireland@parker.com

**IT – Italy**, Corsico (MI)  
Tel: +39 02 45 19 21  
parker.italy@parker.com

**KZ – Kazakhstan**, Almaty  
Tel: +7 7273 561 000  
parker.easteurope@parker.com

**NL – The Netherlands**, Oldenzaal  
Tel: +31 (0)541 585 000  
parker.nl@parker.com

**NO – Norway**, Asker  
Tel: +47 66 75 34 00  
parker.norway@parker.com

**PL – Poland**, Warsaw  
Tel: +48 (0)22 573 24 00  
parker.poland@parker.com

**PT – Portugal**, Leca da Palmeira  
Tel: +351 22 999 7360  
parker.portugal@parker.com

**RO – Romania**, Bucharest  
Tel: +40 21 252 1382  
parker.romania@parker.com

**RU – Russia**, Moscow  
Tel: +7 495 645-2156  
parker.russia@parker.com

**SE – Sweden**, Spånge  
Tel: +46 (0)8 59 79 50 00  
parker.sweden@parker.com

**SK – Slovakia**, Banská Bystrica  
Tel: +421 484 162 252  
parker.slovakia@parker.com

**SL – Slovenia**, Novo Mesto  
Tel: +386 7 337 6650  
parker.slovenia@parker.com

**TR – Turkey**, Istanbul  
Tel: +90 216 4997081  
parker.turkey@parker.com

**UA – Ukraine**, Kiev  
Tel: +380 44 494 2731  
parker.ukraine@parker.com

**UK – United Kingdom**, Warwick  
Tel: +44 (0)1926 317 878  
parker.uk@parker.com

**ZA – South Africa**, Kempton Park  
Tel: +27 (0)11 961 0700  
parker.southafrica@parker.com

### North America

**CA – Canada**, Milton, Ontario  
Tel: +1 905 693 3000

**US – USA**, Cleveland  
Tel: +1 216 896 3000

### Asia Pacific

**AU – Australia**, Castle Hill  
Tel: +61 (0)2-9634 7777

**CN – China**, Shanghai  
Tel: +86 21 2899 5000

**HK – Hong Kong**  
Tel: +852 2428 8008

**IN – India**, Mumbai  
Tel: +91 22 6513 7081-85

**JP – Japan**, Tokyo  
Tel: +81 (0)3 6408 3901

**KR – South Korea**, Seoul  
Tel: +82 2 559 0400

**MY – Malaysia**, Shah Alam  
Tel: +60 3 7849 0800

**NZ – New Zealand**, Mt Wellington  
Tel: +64 9 574 1744

**SG – Singapore**  
Tel: +65 6887 6300

**TH – Thailand**, Bangkok  
Tel: +662 186 7000-99

**TW – Taiwan**, Taipei  
Tel: +886 2 2298 8987

### South America

**AR – Argentina**, Buenos Aires  
Tel: +54 3327 44 4129

**BR – Brazil**, Sao Jose dos Campos  
Tel: +55 800 727 5374

**CL – Chile**, Santiago  
Tel: +56 2 623 1216

**MX – Mexico**, Apodaca  
Tel: +52 81 8156 6000

### European Product Information Centre

Free phone: 00 800 27 27 5374  
(from AT, BE, CH, CZ, DE, DK, EE, ES, FI, FR, IE, IL, IS, IT, LU, MT, NL, NO, PL, PT, RU, SE, SK, UK, ZA)

© 2013 Parker Hannifin Corporation. All rights reserved.

Bulletin BUL/4480-B163/UK 2013-04-01 punctum



**Parker Hannifin Ltd.**  
Tachbrook Park Drive  
Tachbrook Park,  
Warwick, CV34 6TU  
United Kingdom  
Tel.: +44 (0) 1926 317 878  
Fax: +44 (0) 1926 317 855  
parker.uk@parker.com  
www.parker.com

Your local authorized Parker distributor



## R35TC-40 and RS35TC-48

Multispiral hoses for high pressure and increased flow rates



ENGINEERING YOUR SUCCESS.

# R35TC-40 and RS35TC-48

Extreme Multispiral hoses for highest performance increasing pressure and flow rates.

You are looking for hoses that deliver higher working pressures and more power through a higher flow rate? Or do you need hoses for heavy-duty applications with an abrasion-resistant cover for a longer service life?

Both Parker® R35TC and RS35TC complete the ParLock hose range with two new large sizes: -40 (I.D. 63.5 mm) and -48 (I.D. 76,2 mm)

These hoses have been developed to increase flow rate and meet even the most challenging requirements of various applica-

tions. Our R35TC-40 is tested for fully high impulse hydraulic applications with a working pressure of 35.0 MPa and a dynamic safety factor greater than 4:1.

RS35TC-48 is approved according to ISO 6807-D for off-shore and drilling applications.

Due to the enhanced hose diameters and in combination with very high pressures, flow rate can be increased, which eliminates the need of numerous pressure lines and results in a cost reduction for connectors.

## Applications

- Hydrostratic transmissions
- Pressure lines in e.g. injection moulding machines
- Return lines of earth moving machines
- Powering large bore Cylinders
- Off shore
- Rotary drilling
- Open and underground mining

## Outstanding performance

- R35TC-40 and RS35TC-48**
- Very high working pressure of 35.0 MPa (5000 psi)
  - High abrasion resistant **TOUGH COVER** prolongs hose life, minimizes downtime and eliminates extra cost for additional protection sleeves – MSHA approved
  - Approved with Interlock V6 series fittings, connection types: Retaining full flange system code 62 port – 6000 psi, Super SteckO®

### R35TC-40

- Safety factor of 4:1
- Impulse tested to more than 1.5 million cycles at +120 °C
- Extra strong 6-spiral construction for high-flex-impulse and high-vibration applications
- **NEW:** SAE Code 62 Flange – 6000 psi

### RS35TC-48

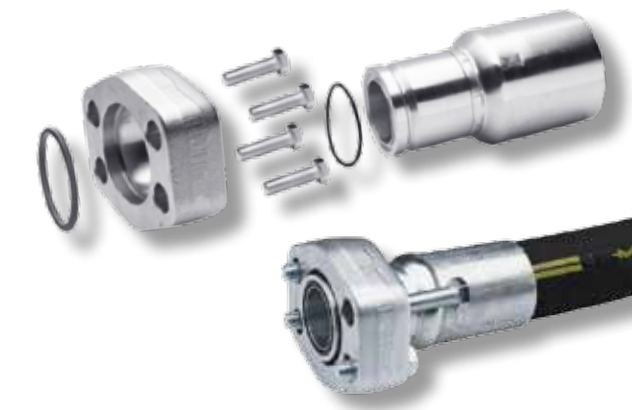
- Safety factor of 2.5:1 according ISO 6708-D
- Extra strong 6-spiral construction for high-vibration applications

# Full Flange System

Provides full flange mounting option for Code 62 ports.

The full flange system addresses the needs of customers by:

- Being easier to assemble
- Providing one-piece integrity
- Enables tighter routing
- Being easier to route in tight spaces
- Enabling assemblies to be sent to customers with the flange in place
- Easing bent tube installation (displacement angle) with a freely rotating flange



The full flange system can be used repeatedly because of its patent-pending attachment system – the flange is not permanently locked onto the fitting.

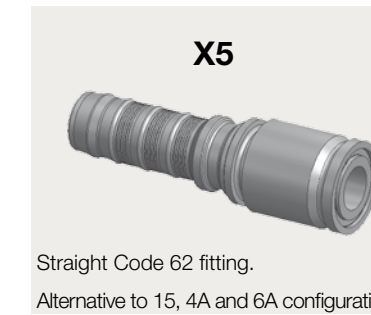
- This is not a captive flange – it can easily be removed
- Flange can be reused if necessary
- Flange is not scrapped on a mis-crimp

SAE-Flange Size (Inch)	Flange Code 61 5000 psi Part Number	Flange Code 62 6000 psi Part Number	Seal Part Number	Retaining Ring Part Number
2 1/2	R340-CFX	R640-CFX	XRG-40	R40X
3	R348-CFX	R648-CFX	XRG-48	R48X

## New Fitting Configuration

This newly introduced fitting configuration is specifically designed for Parker's full flange system, and will accept Code 62 flange.

The X5 fittings are designed to work with all Parkrimp crimpers. These new fittings can replace multiple existing fittings.



# ParLock and SteckO® Fittings

– a system for high performance and safety

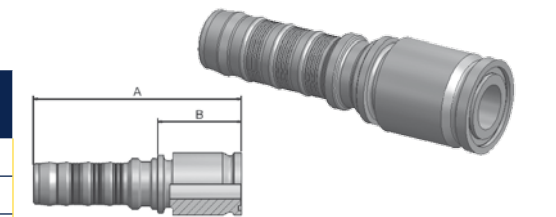
Hose and fitting combination giving performance that exceeds the EN requirements. The ParLock fittings are manufactured in monobloc design (withstands higher impulse loading and eliminates potential leak paths). ParLock means optimal design – optimal compatibility

- Hose and fitting combination giving performance that exceeds ISO/EN requirements
- Approved hose and fitting compatibility „one manufacturer, one source“

- Field tested, proven reliability
- High flex-impulse applications
- High vibration applications

## Retaining ring fitting

Nipple Part Number	Nominal diameter DN	A mm	B mm
KX5V6-40-40	63.5	233	98
KX5V6-48-40	63.5	233	83
KX5V6-48-48	76.2	200	84



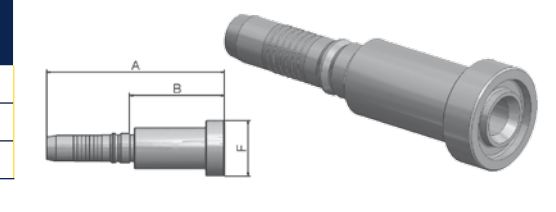
## Super SteckO® fitting

Nipple Part Number	Nominal diameter DN	A mm	B mm
KA0V6-40-40	63.5	245	110



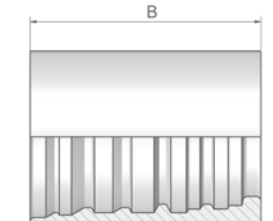
## SAE Code 62 flange – straight

Nipple Part Number	Nominal diameter DN	A mm	B mm	F mm
K6AV6-40-40	63.5	253	118	108
K6AV6-48-40	63.5	253	118	132
K6AV6-48-48	76.2	240	124	132



## Shell

Nipple Part Number	Nominal diameter DN	B mm
100V6-40	63.5	134
100V6-48	76.2	110



## Target Markets

