



# Triple-Lok® Plus

## The universal 37° flared fitting

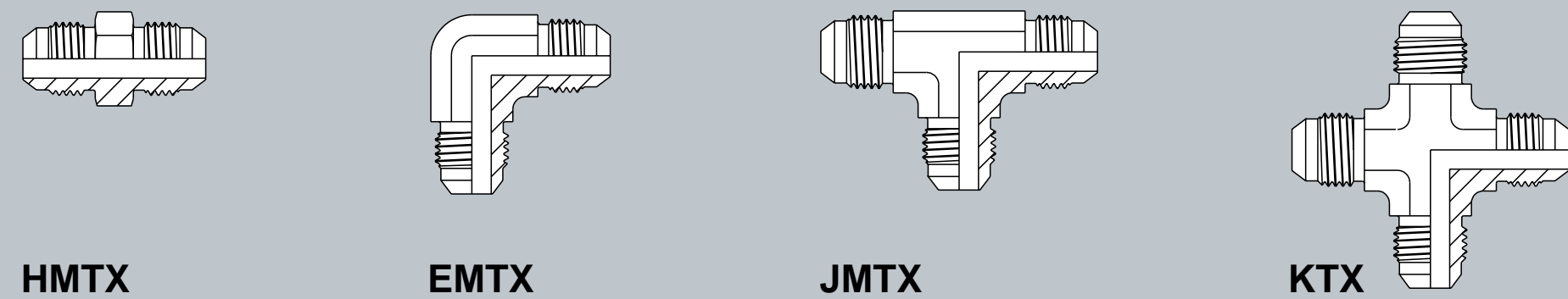
For stainless steel and brass see the catalogue for details.



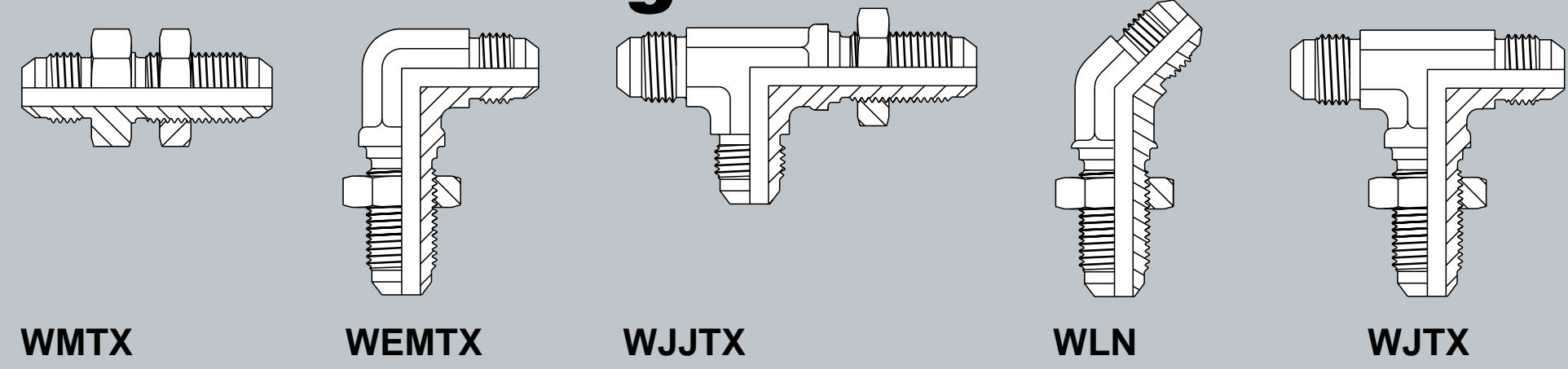
### Triple-Lok® Plus advantages

- Highest nominal pressures:
  - ▶ Up to 500 bar – size 4
  - ▶ Up to 420 bar – size 5
  - ▶ Up to 420 bar – size 6
  - ▶ Up to 420 bar – size 8
  - ▶ Up to 280 bar – size 20
  - ▶ Up to 210 bar – size 24
  - ▶ Up to 140 bar – size 32
- Parflange® – Tube flaring system
  - ▶ Best tube surface finish
  - Improved corrosion protection
  - Fittings individually bagged
    - ▶ No handling damage, no scrap, parts assemble easily
    - ▶ No system contamination from dirt
  - Widest standard product range
  - Worldwide availability

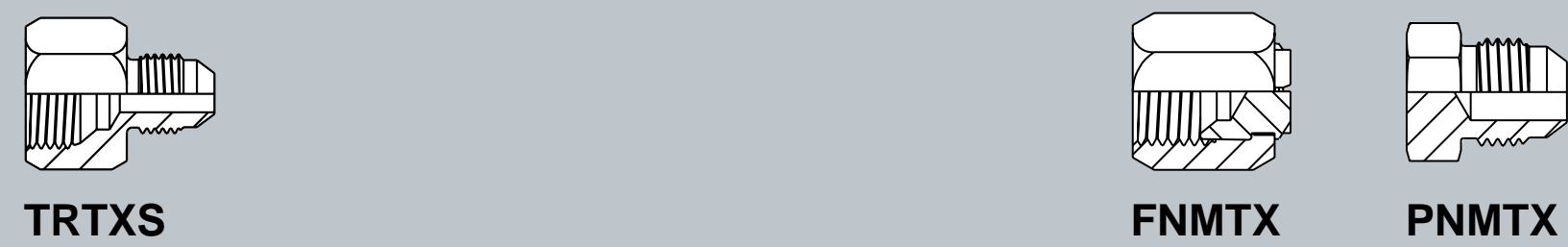
### Union fittings



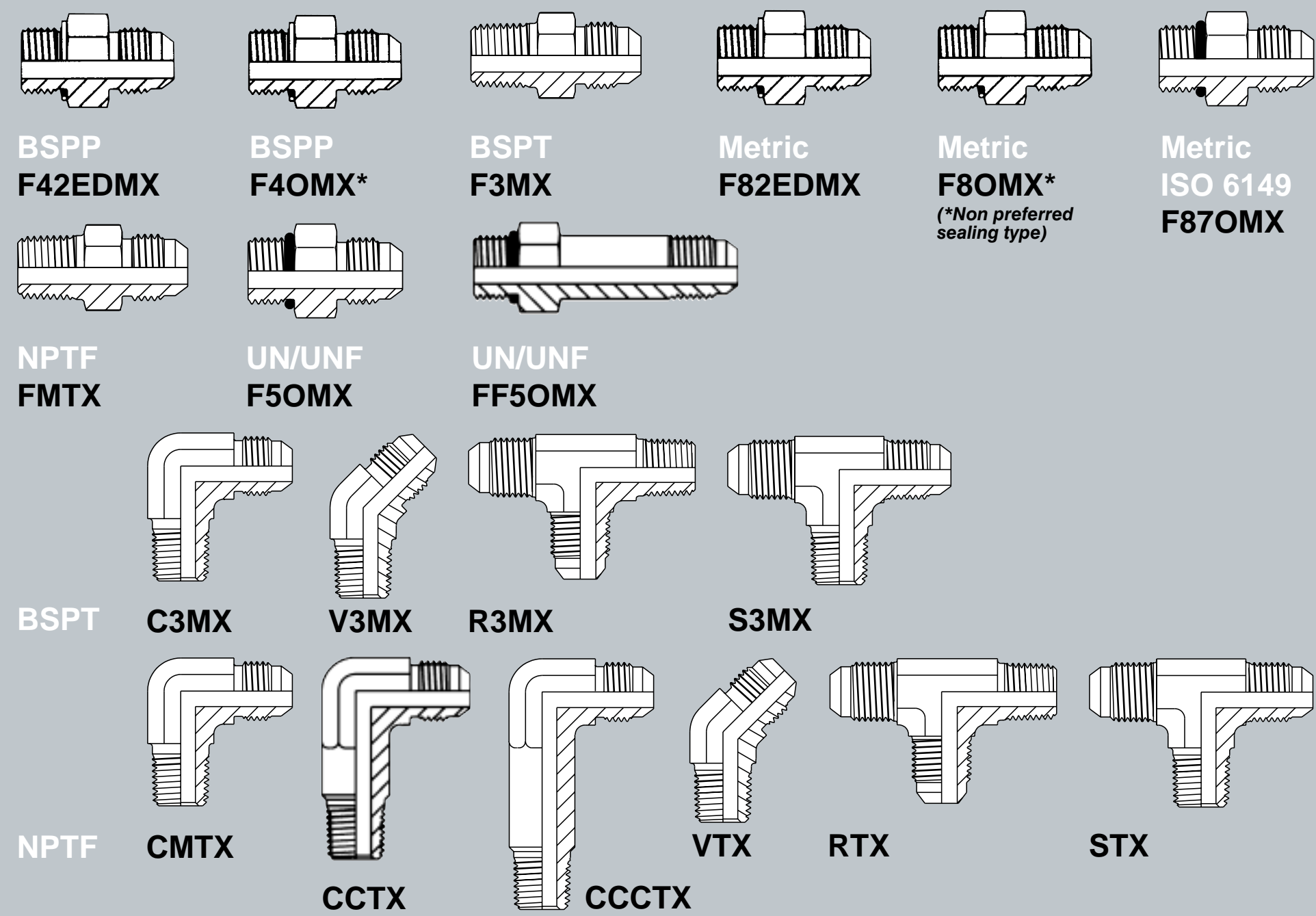
### Bulkhead fittings



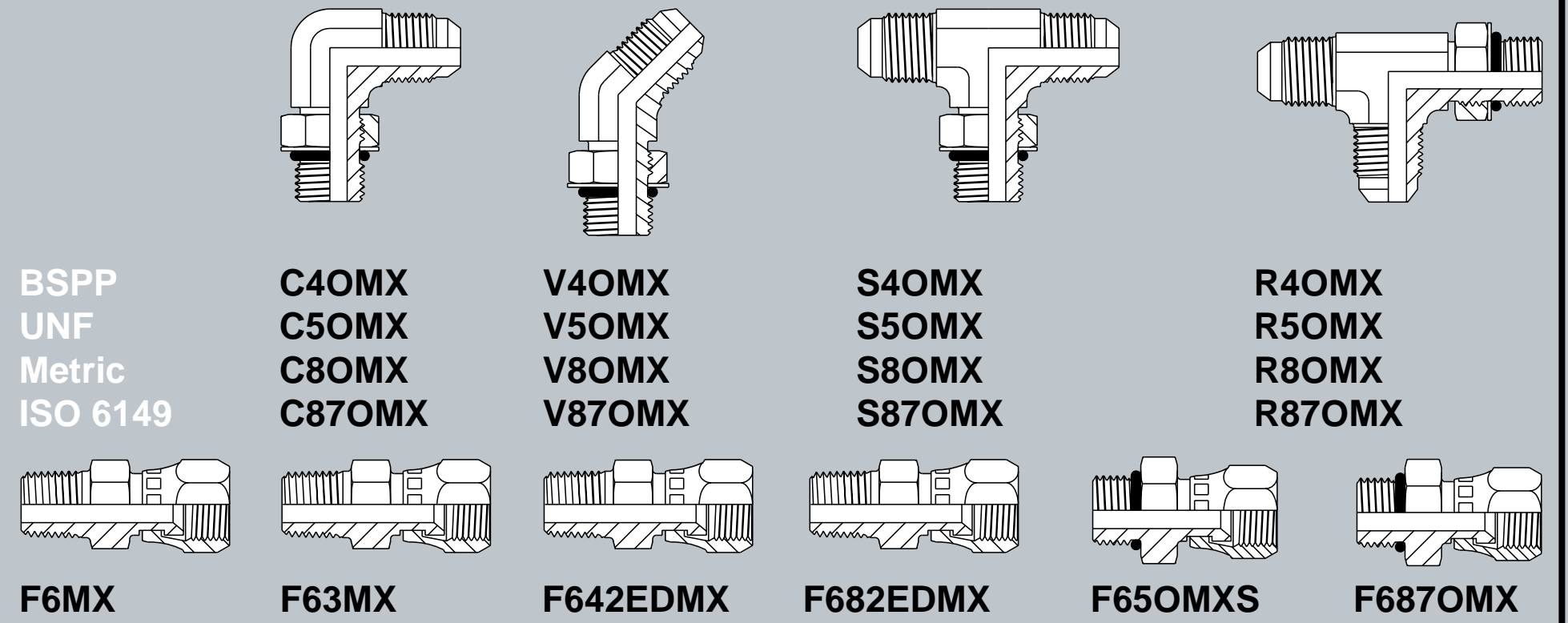
### Tube end reducers — Blanking ends



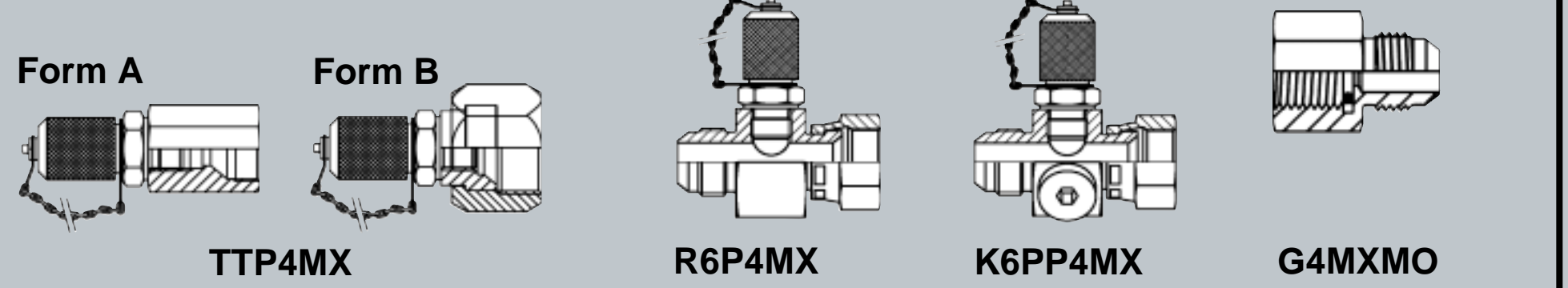
### Male stud fittings



### Adjustable male stud fittings



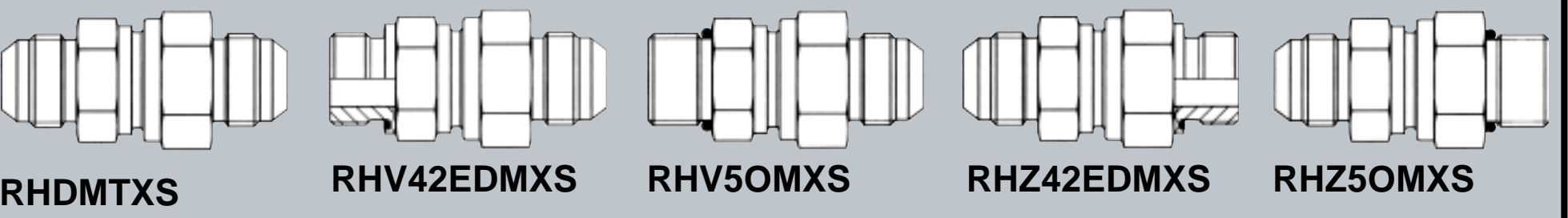
### Test point/Pressure gauge adapters



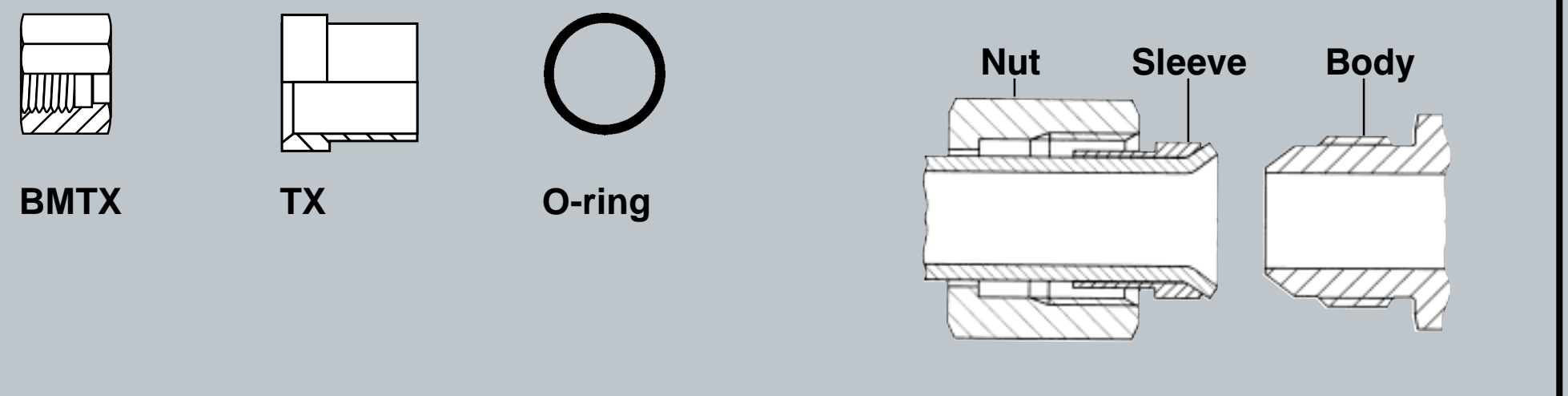
### Conversion adapters



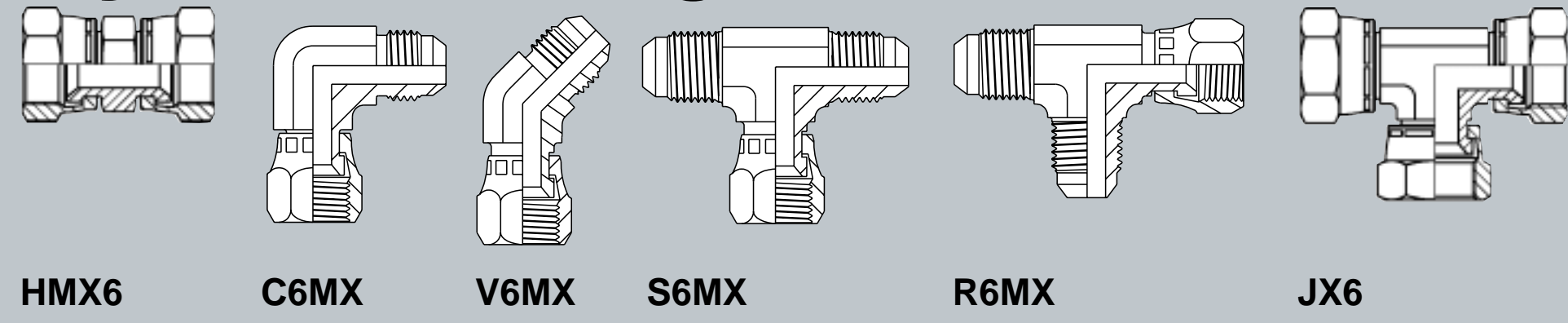
### Additional components



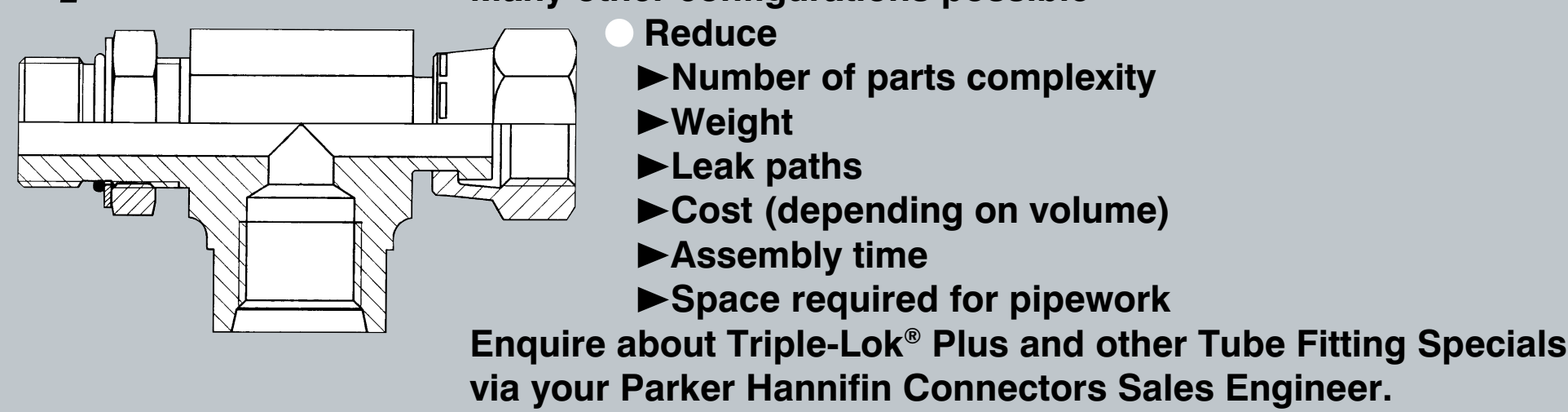
### Tube end components



### Adjustable fittings



### Specials



Many other configurations possible

- Reduce
  - ▶ Number of parts complexity
  - ▶ Weight
  - ▶ Leak paths
  - ▶ Cost (depending on volume)
  - ▶ Assembly time
  - ▶ Space required for pipework

Enquire about Triple-Lok® Plus and other Tube Fitting Specials via your Parker Hannifin Connectors Sales Engineer.

### Assembly machines and tooling

