



EO[®] Ermeto Original Tube Clamps Programme (according to DIN 3015)

Tube Clamps - Part Numbers

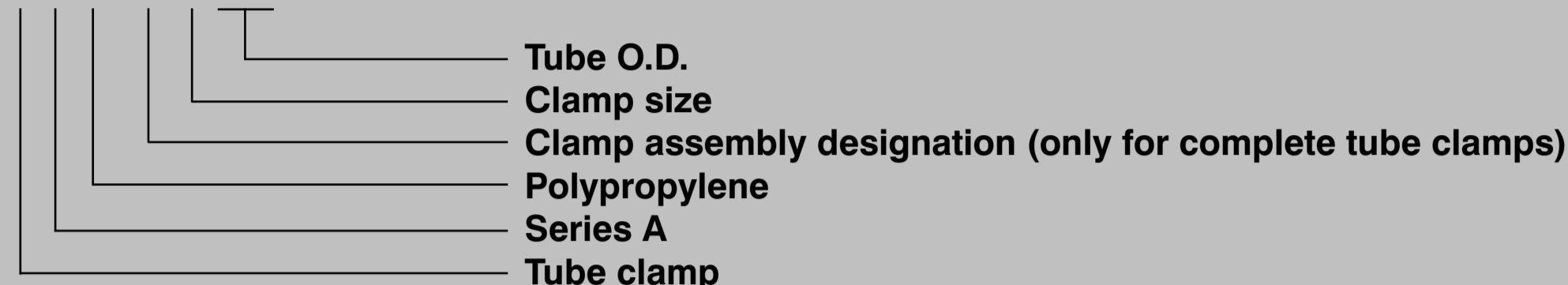
Order codes for EO tube clamps are logical and easy to understand. The code for clamp halves and complete clamp assemblies includes a letter for the Clamp Series (A, B or C) and the clamp material designation (P, N, A or V). The first "R" simply stands for tube clamp.

When ordering clamp halves, the clamp assembly designation is not used, (eg. RAP 216).

Order codes for single parts and accessories and dimensional details can be found in Catalogue 4100/GB.

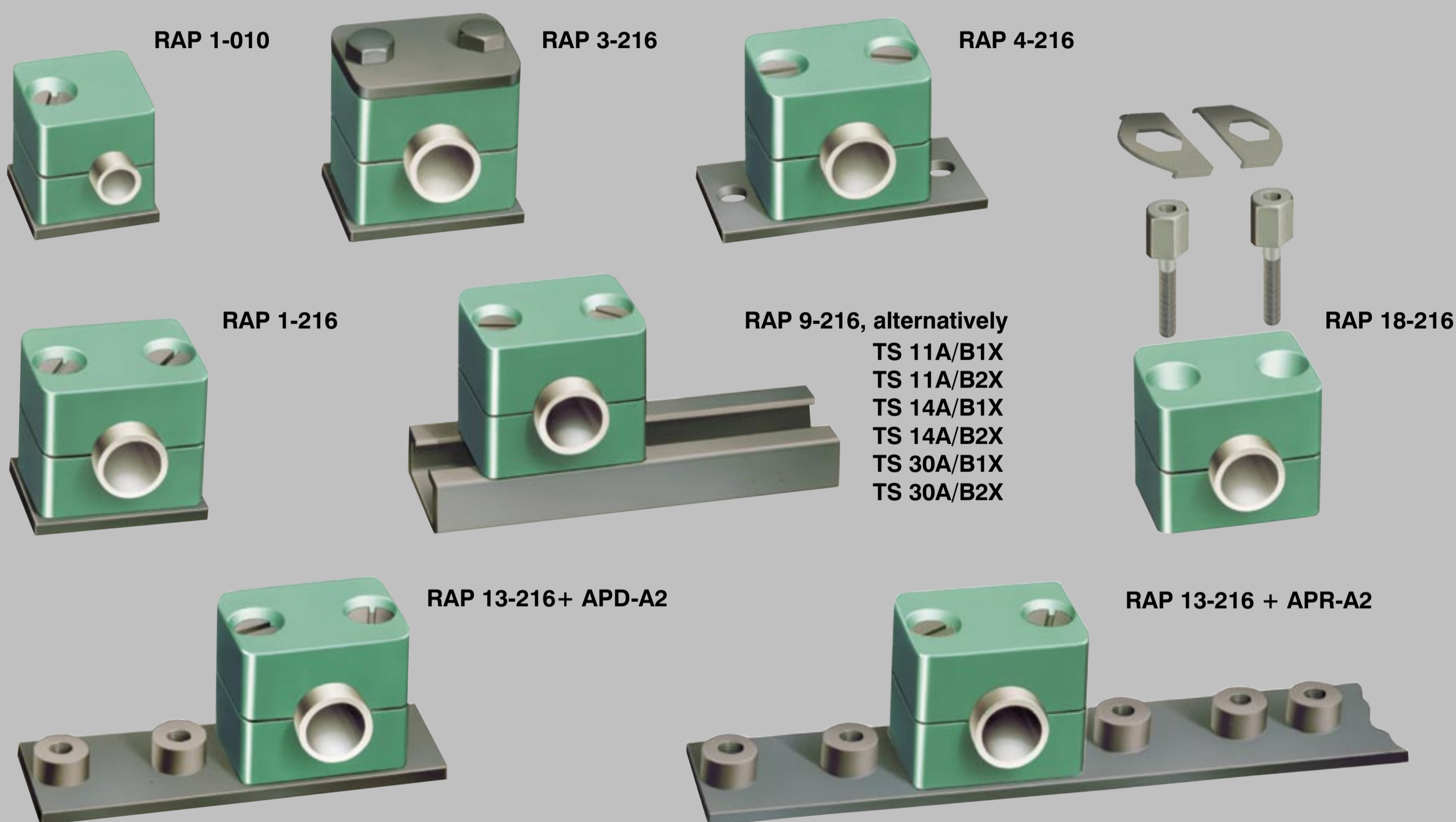
Example of Part Number

RAP 1-216



Series A

(Light series) Tube O.D. 6 to 57.15 mm

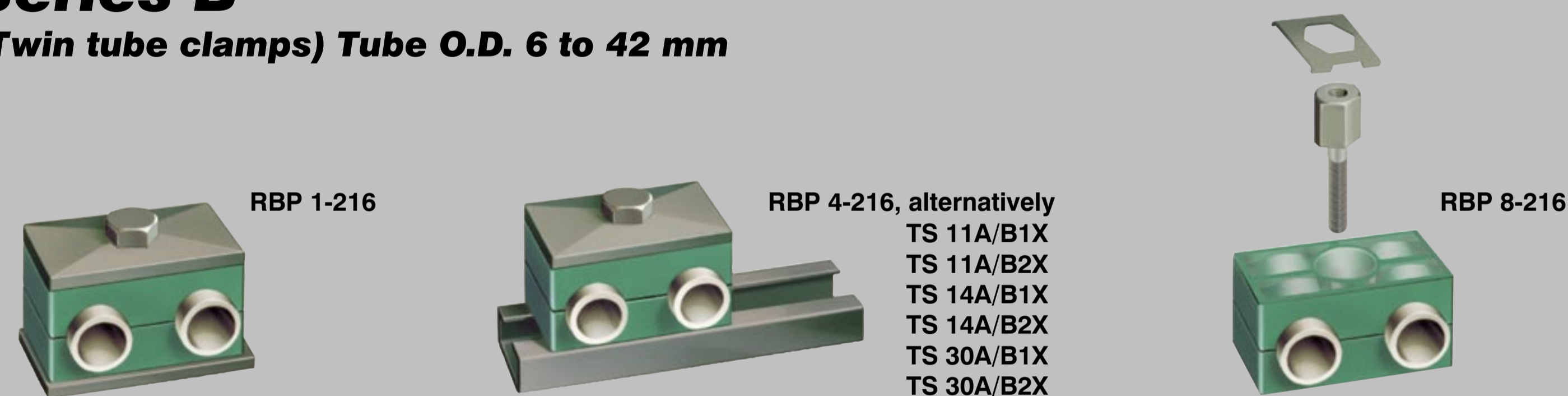


Tube Clamps - Part Numbers Material Series A

Polypropylene	RAP
Interior surface smooth	RAPG
Polyamide	RAN
Interior surface smooth	RANG
Rubber	RAVG
Aluminium	RAA

Series B

(Twin tube clamps) Tube O.D. 6 to 42 mm

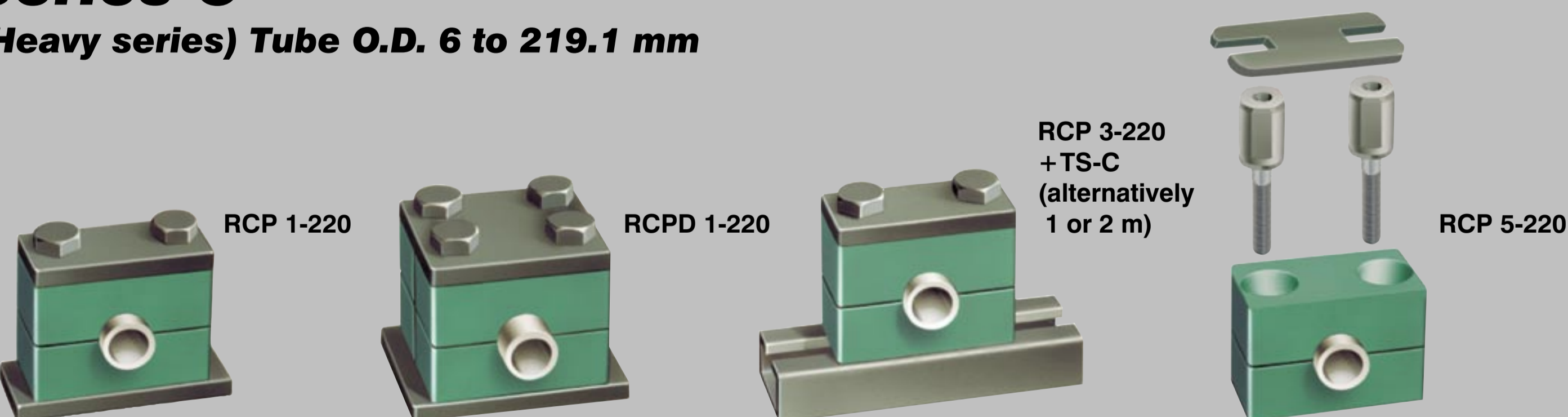


Tube Clamps - Part Numbers Material Series B

Polypropylene	RBP
Interior surface smooth	RBPG
Polyamide	RBN
Rubber	RBVG

Series C

(Heavy series) Tube O.D. 6 to 219.1 mm



Tube Clamps - Part Numbers Material Series C

Polypropylene	RCP
Interior surface smooth	RCPG
Polyamide	RCN
Rubber	RCVG
Aluminium	RCA

For your Safety

Under certain circumstances, tube fittings can be subjected to extreme loadings such as vibration and uncontrolled pressure peaks. Only by using genuine Parker Components and following Parker assembly instructions can you be assured of the reliability and safety of the products and their conformity to the applicable standards. Failure to follow this rule can adversely affect the functional safety and reliability of products, cause personal injury, property damage, and result in loss of your guarantee rights. Subject to alteration.

