

316L Stainless Steel Explosion Proof Coil for Oil and Gas Market

Lucifer® ATEX "d" Coil
Ref. 497105 (M20x1.5)
Ref. 49710502 (1/2 NPT)



Product

The new 316L Stainless Steel Explosion Proof Flameproof "d" Coil Ref. 497105 is valid for Zone 1/21 and is compatible with existing Parker Lucifer Valve X, V, and F Series (See product range table next page).



Contact Information

**Parker Hannifin Manufacturing
Switzerland SA**

Fluid Control Division Europe

Ch. Fbg de Cruseilles, 16
1227 Carouge / Genève
Switzerland

Tel.: +41 22 30 77 111

Fax: +41 22 30 77 110

www.parker.com/fcde

Markets

- Chemical
- Petrochemical
- Oil & Gas industries

Applications

Control of solenoid valves in hazardous areas Zone 1-21

Benefits

- Light and compact design
- Highly resistant to corrosion
- Easy mounting and dismantling
- Easy maintenance
- Modular with all other current ATEX Parker Lucifer coils
- Inventory reduction for distributors
- The coil can be assembled or disassembled from its valve very easily
- Quick electrical cable connection
- The coil permits reversible up or down position of the threaded 1/2" NPT cable entry with 360° rotation capability



ENGINEERING YOUR SUCCESS.

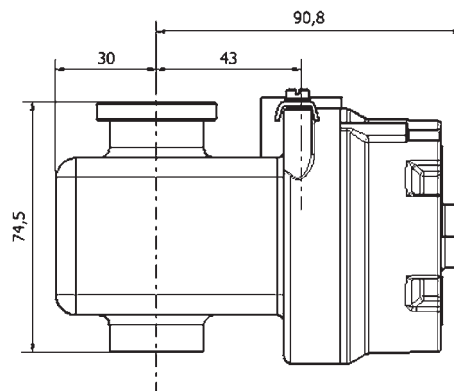
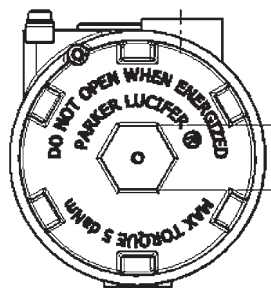
Technical Data

- Housing is made of 316L stainless steel.
- Power consumption 8W Max
- 1/2" NPT or M20 x 1.5 cable entry
- Protection level IP 66
- Peak voltage suppression and AC rectifier included as standard

Solenoid Valve Product Range

316L STAINLESS ST. PIPE/SUB-BASE MOUNTING										Parker LUCIFER® Valves			Electrical Connection	Power	Coil Group	
Port Size	Function	Orifice Ø 1	Flow Factor Qn l/min	Operating Pressure Differential		Fluid Temp.		Seat Seal	Valve Ref.	Housing Ref.	Coil Ref.		AC W	DC W		
				Min bar	Max (MOPD) AC bar DC bar	Min °C	Max °C									
1/4 NPT	3/2 universal auto reset	6	680	0	12	12	-25	65	NBR	U133X7196	-	497105 49710502	M20x1.5 1/2 NPT	8	8	9.0/10.1/10.2/10.3
	3/2 universal manual override	6	680	0	12	12	-25	65	NBR	U133X7156	-	497105 49710502	M20x1.5 1/2 NPT	8	8	9.0/10.1/10.2/10.3
	3/2 universal manual reset	6	680	0	12	12	-25	65	NBR	U033X7156	-	497105 49710502	M20x1.5 1/2 NPT	8	8	9.0/10.1/10.2/10.3/12
	3/2 universal	2.5	220	0	9	9	-25	75	FKM	U133V7695	-	497105 49710502	M20x1.5 1/2 NPT	8	8	9.0/10.1/10.3
	3/2 universal	2	140	0	12	12	-25	75	FKM	U133V7595	-	497105 49710502	M20x1.5 1/2 NPT	8	8	9.0/10.1/10.3
	2/2 normally closed	1	40	0	98	98	-25	75	FKM	U121V7595	-	497105 49710502	M20x1.5 1/2 NPT	8	8	9.0/10.1/10.3
SB	3/2 normally closed	2.5	220	0	12	12	-25	75	FKM	U131F7695	-	497105 49710502	M20x1.5 1/2 NPT	8	8	9.0/10.110.3

Dimensions

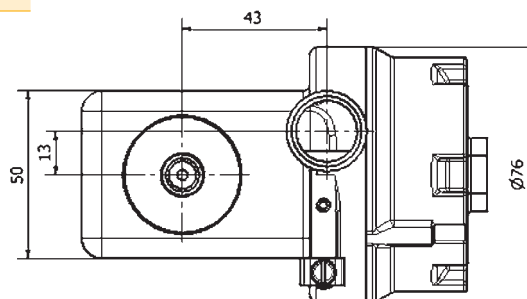


Voltage Codes

Voltage	12VDC	24VDC	48VDC	110VDC	24/50-60VAC	110/50-60VAC	220-230/50-60VAC
Code	C1	C2	C4	C5	P0	1P	3P

Ordering example

To order a solenoid valve select :
Valve reference - Coil reference and voltage code.
Example for 24 VDC: U133X7196-497105C2



Ed. 2013-07-08



EMEA Product Information Centre

Free phone: 00 800 27 27 5374

(from AT, BE, CH, CZ, DE, DK, EE, ES, FI, FR, IE, IL, IS, IT, LU, MT, NL, NO, PL, PT, RU, SE, SK, UK, ZA)

US Product Information Centre

Toll-free number: 1-800-27 27 537

www.parker.com