

Subsea Flexible Joints

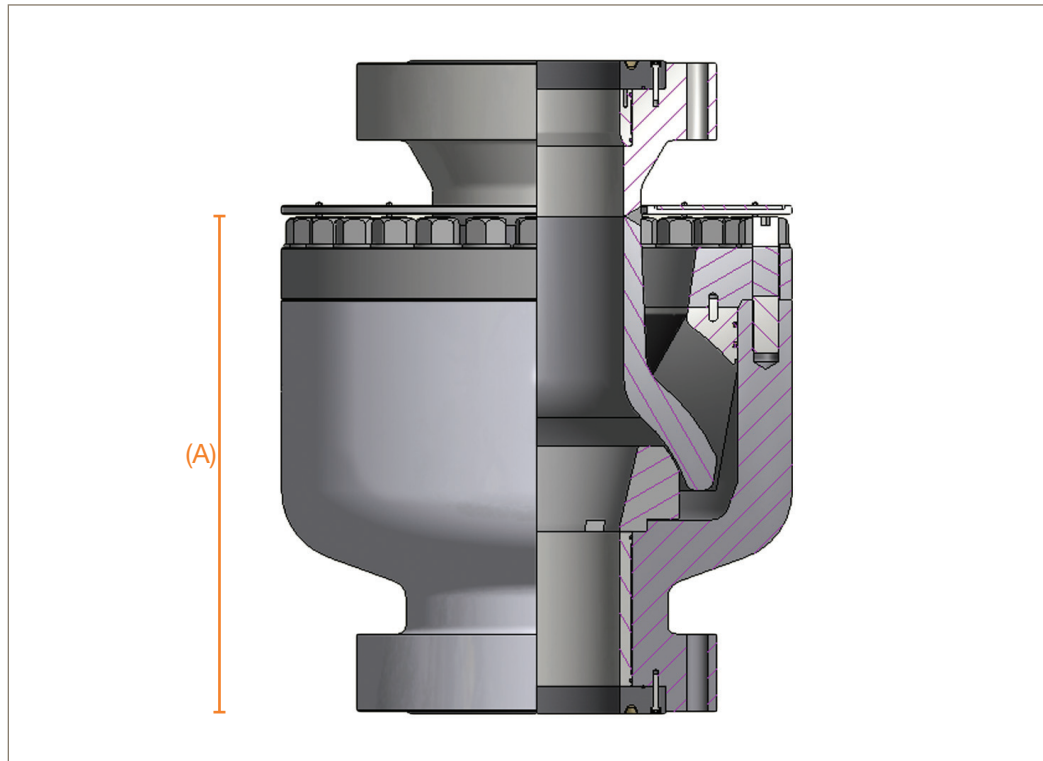
Energy management solutions for offshore drilling



Energy management solutions & support

Parker offers competitive, custom, short lead-time solutions for safe energy management in offshore drilling. Our subsea flexible joints are certified by both DNV and ABS for working pressures of 6,000 psi and working depths of 12,000 feet. Each unit is manufactured to strict quality requirements with complete testing per API standards.

Call the Oil & Gas experts at Parker. We have the engineering technology and infrastructure via our worldwide network of manufacturing, sales and service centers, to support your Oil & Gas operations 24/7.



Contact Information:

Parker Hannifin Corporation
Engineered Polymer Systems Division

2220 South 3600 West
 Salt Lake City, UT 84119

phone 801 972 3000
 fax 801 973 4019
 eps-ccare@parker.com

www.parker.com/eps

Subsea Flexible Joint Designs:

	5 KSI	5 KSI	6 KSI
• Pressure Rating	5,000 psi	5,000 psi	6,000 psi
• Working Depth	10,000 ft	10,000 ft	12,000 ft
• Max Angular Rotation	±10°	±10°	±10°
• Est. Mass	25,000 lbs	26,500 lbs	27,000 lbs
• Max Working Tension	2.5 Mlbs	2.5 Mlbs	3.5 Mlbs
• Distance to Weld Prep (A)	56.26 in.	59.6 in.	62.6 in.



ENGINEERING YOUR SUCCESS.