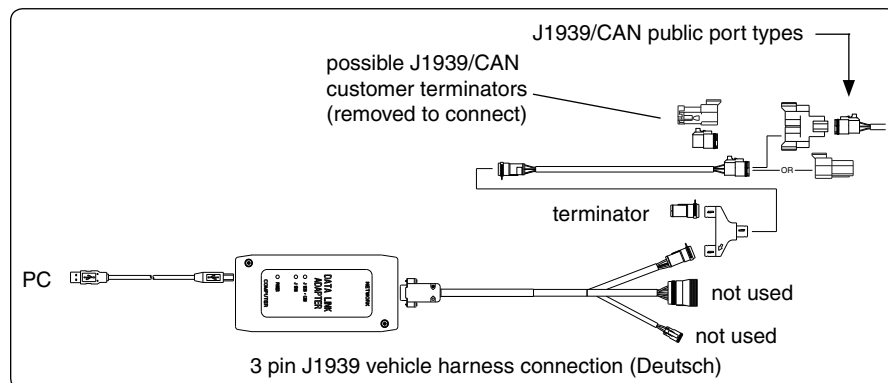
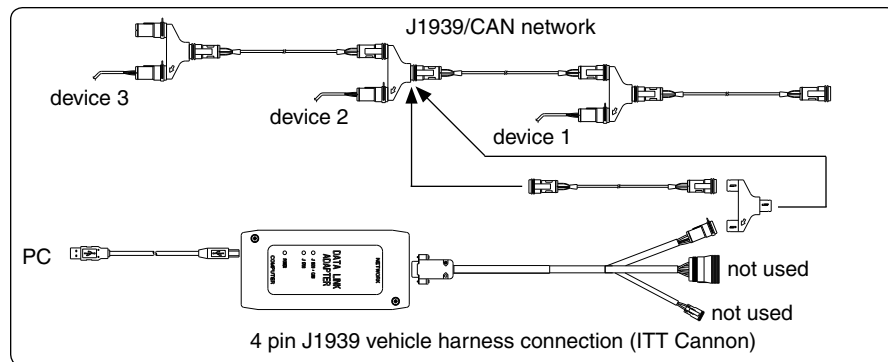
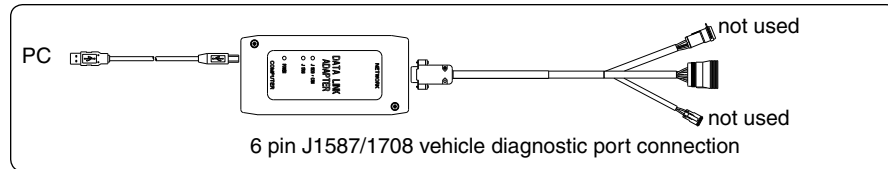
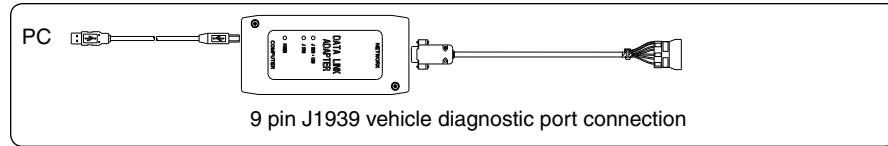


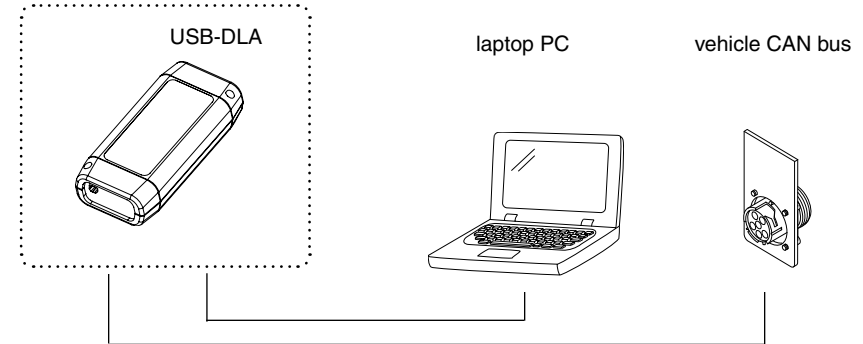
Wiring diagram

The cables and adapters in the USB-DLA kit provide 4 options to connect to your vehicle.



Installation USB-DLA

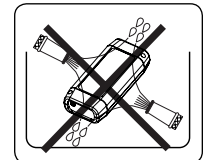
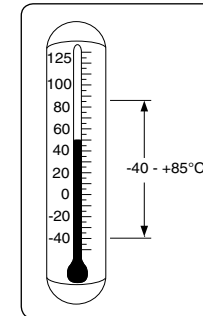
Publ.no: HY33-5010-IS/US
Ed. 05/2017



CAUTION

The USB ground is not isolated from the power ground. A computer connected to the USB port must be electrically floating and not have any connections to the outside world, including via the AC power adapter and/or the serial port.

- Failure to observe this may result in damage to the DLA and the computer USB port.



WARNING

FAILURE OR IMPROPER SELECTION OR IMPROPER USE OF THE PRODUCTS AND/OR SYSTEMS DESCRIBED HEREIN OR RELATED ITEMS CAN CAUSE DEATH, PERSONAL INJURY AND PROPERTY DAMAGE.

This document and other information from Parker Hannifin Corporation, its subsidiaries and authorized distributors provide product and/or system options for further investigation by users having technical expertise. It is important that you analyze all aspects of your application, including consequences of any failure, and review the information concerning the product or system in the current product catalogue. Due to the variety of operating conditions and applications for these products or systems, the user, through its own analysis and testing, is solely responsible for making the final selection of the products and systems and assuring that all performance, safety and warning requirements of the application are met.

The products described herein, including without limitation, product features, specifications, designs, availability and pricing, are subject to change by Parker Hannifin Corporation and its subsidiaries at any time without notice.

For further information see:
HY33-5010-IB/US User Guide USB-DLA



Eng.no: IS-USBDLA-201705-03

USB-DLA

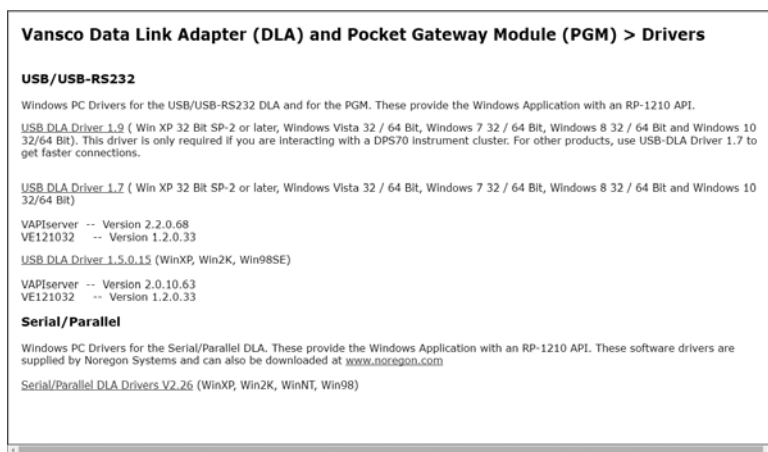
To download the USB-DLA driver from the web site, follow these steps:

1. Go to <http://www.parker.com/ecd>.
2. Click on the Support tab and scroll down to the Customer Toolbox.
3. Click the 'Vansco DLA and PGM Drivers' link.



After the following screen appears:

4. Click on the USB-DLA driver file to download.
(note: driver files for legacy versions of DLA are also available here).



USB-DLA

