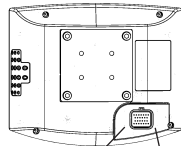


Wiring diagram

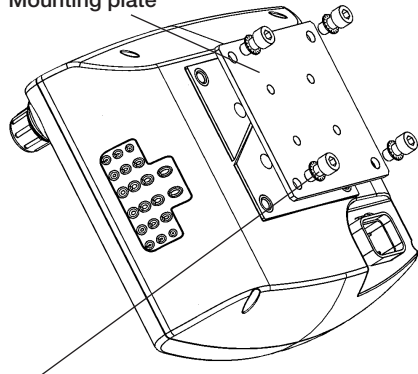


1	11	17
2	12	18
3	13 Non Switched +12 V (PWR) or Delayed Ignition power	19
4	14 Ground (ECU_GND)	20
5 CAN High	15 Switched +12 V (ECU_PWR) - ignition position	21
6 CAN Low	16 RS232 - RTN	22
7		23
8		24
9 RS232 - TX		25 Bootloader Reset
10 RS232 - RX		26

Mounting Installation

Step 1

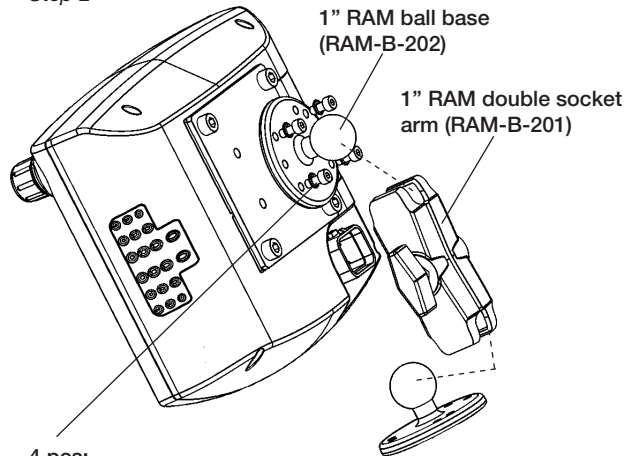
VESA 75 mm x 75 mm
Mounting plate



4 pcs:
Screw M6x10 (12 mm max. length)
Washer DIN 125

Torque 5 Nm (max)

Step 2



4 pcs:
Screw M4x10 (10 mm max. length)
Washer DIN 125

Torque 4 Nm (max)

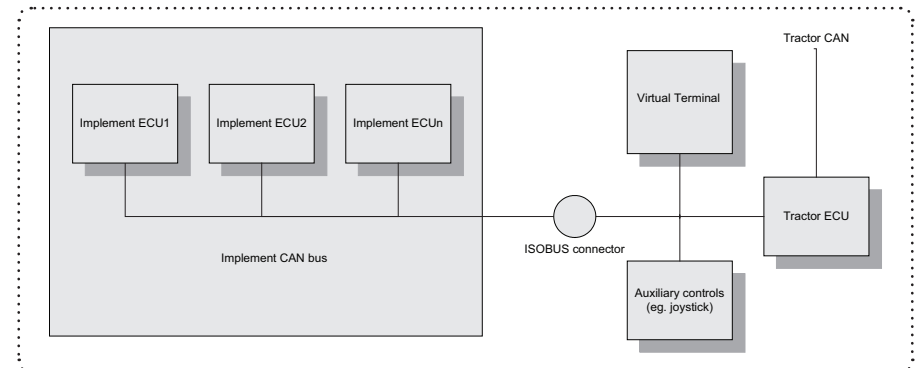
Ordering Part Numbers:

VESA 75 Mounting Kit (incl. mounting plate, screws and washers)
RAM 1" Mount Kit (incl. 2 bases, a double socket arm, screws and washers)

65VESAKIT
65RAM1KIT

Installation ISOBUS-VT

Publ.no: HY33-4010-IS/UK
Ed. 03/2010



CAUTION

- Do not drop the module on hard surfaces.
- Do not open the module. For repair and service, please contact your authorized Parker distributor.

NOTICE

- ISOBUS-VT is intended for vehicle use only.
- Sealing plugs must be inserted in connector's all unused pin positions.

For further information see:
HY33-4010-IB/UK Instructions ISOBUS-VT

WARNING

FAILURE OR IMPROPER SELECTION OR IMPROPER USE OF THE PRODUCTS AND/OR SYSTEMS DESCRIBED HEREIN OR RELATED ITEMS CAN CAUSE DEATH, PERSONAL INJURY AND PROPERTY DAMAGE.

This document and other information from Parker Hannifin Corporation, its subsidiaries and authorized distributors provide product and/or system options for further investigation by users having technical expertise. It is important that you analyze all aspects of your application, including consequences of any failure, and review the information concerning the product or system in the current product catalogue. Due to the variety of operating conditions and applications for these products or systems, the user, through its own analysis and testing, is solely responsible for making the final selection of the products and systems and assuring that all performance, safety and warning requirements of the application are met.

The products described herein, including without limitation, product features, specifications, designs, availability and pricing, are subject to change by Parker Hannifin Corporation and its subsidiaries at any time without notice.

