

SKW 096		CONDUCTORS FEP insulation wires. Standard machine tool oil resistant			L2	L3	L4	L5	α°	Average Weight (kg)
		section (mm ²)	ϕ_{ext} (mm)	bending radius (mm)						
046	LAM	2.5	2.74	static use: 4 x ϕ dynamic use: 10 x ϕ	60	73	104	47	25	3.3
092	LAM	4	3.3		111	119	155	98		5.3
138	LAM	6	4.3		162	165	206	149		7.5
184	LAM	10	5.45		218	211	262	205		9.5

Valid for : SKW 096

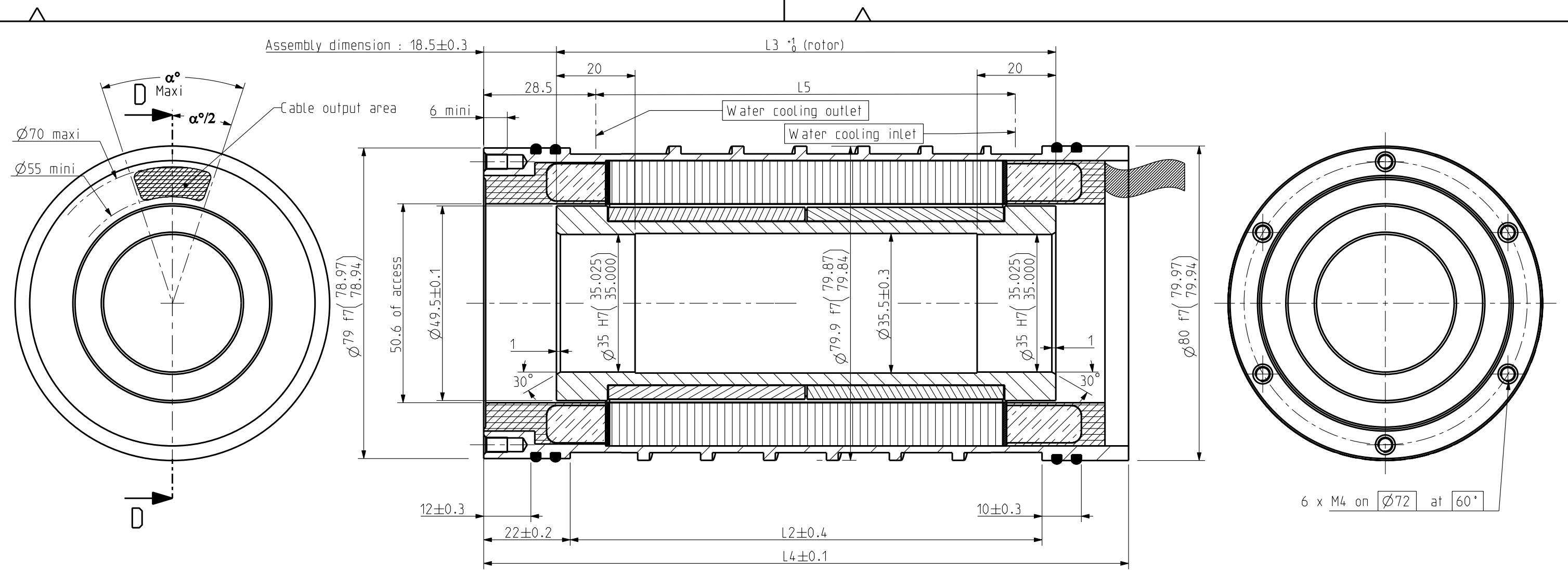
General tolerances DIN ISO 2768 mK	Drawn	11/06/2014	HC	Visa														
	Modifications																	
This drawing is the exclusive property of our firm and is strictly confidential. It cannot be transmitted, reproduced or copied without our written authorisation.		a	AM N°24307 M à j HC 24/06/14															

Scale: 7:10

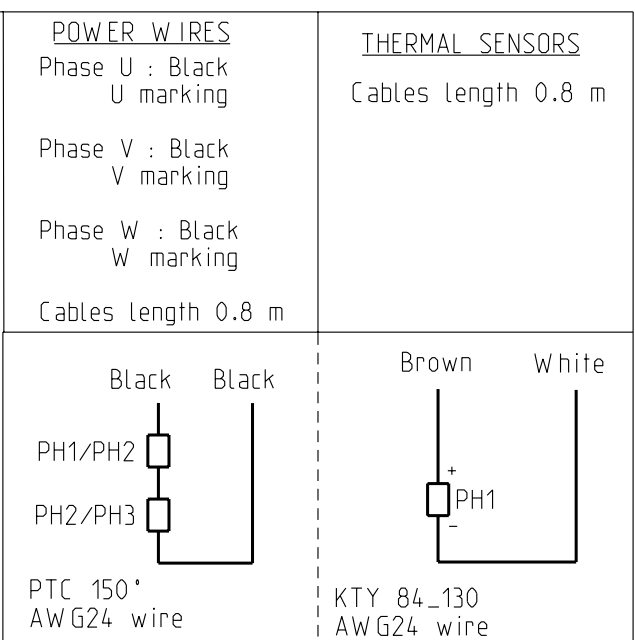
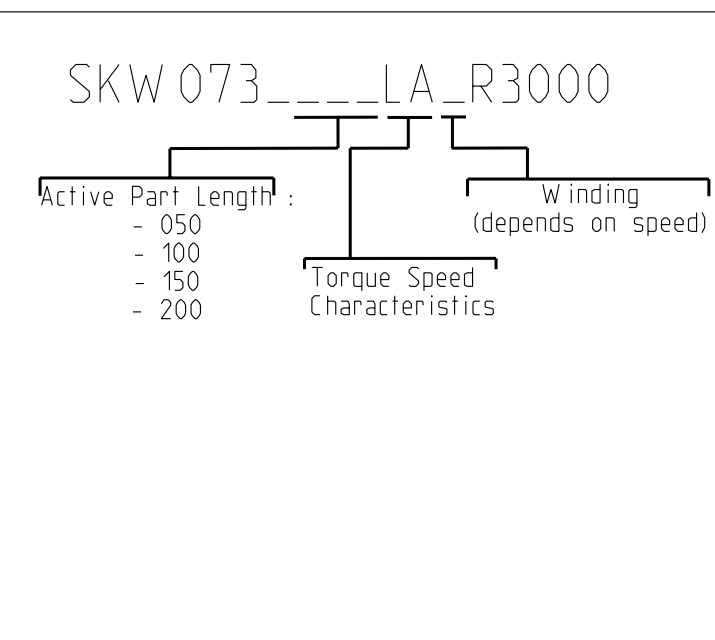
Parker
8 Avenue du lac. BP249
21007-DIJON cedex-FRANCE
www.SSDrives.com

SKW 096
OUTLINE DRAWING

Format A3
344728E3000



COUPE D-D



SKW 073_		CONDUCTORS FEP insulation wires. Standard machine tool oil resistant			L2	L3	L4	L5	α°	Average Weight (kg)
		section (mm ²)	ϕ_{ext} (mm)	bending radius (mm)						
050	LAM	2.5	2.74	static use: 4 x ϕ dynamic use: 10 x ϕ	70	77	114	57	25	2.1
100	LAM				120	127	164	107		3.4
150	LAM	4	3.3		175	177	219	162		4.7
200	LAM	6	4.3		230	227	274	217		6

Valid for : SKW 073

General tolerances DIN ISO 2768 mK	Drawn	11/06/2014	HC	Visa												
	Modifications															
This drawing is the exclusive property of our firm and is strictly confidential. It cannot be transmitted, reproduced or copied without our written authorisation.	a	AM N°24307 Mäj HC 24/06/14														

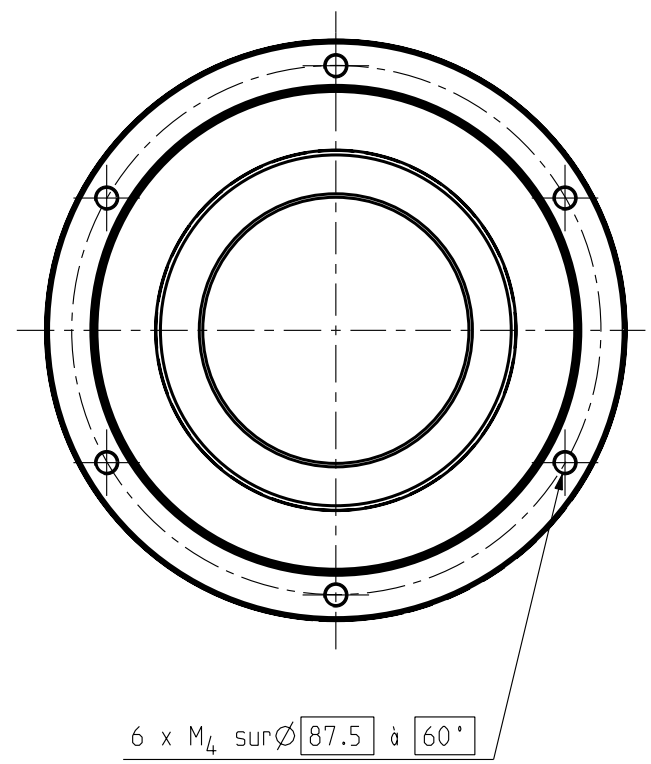
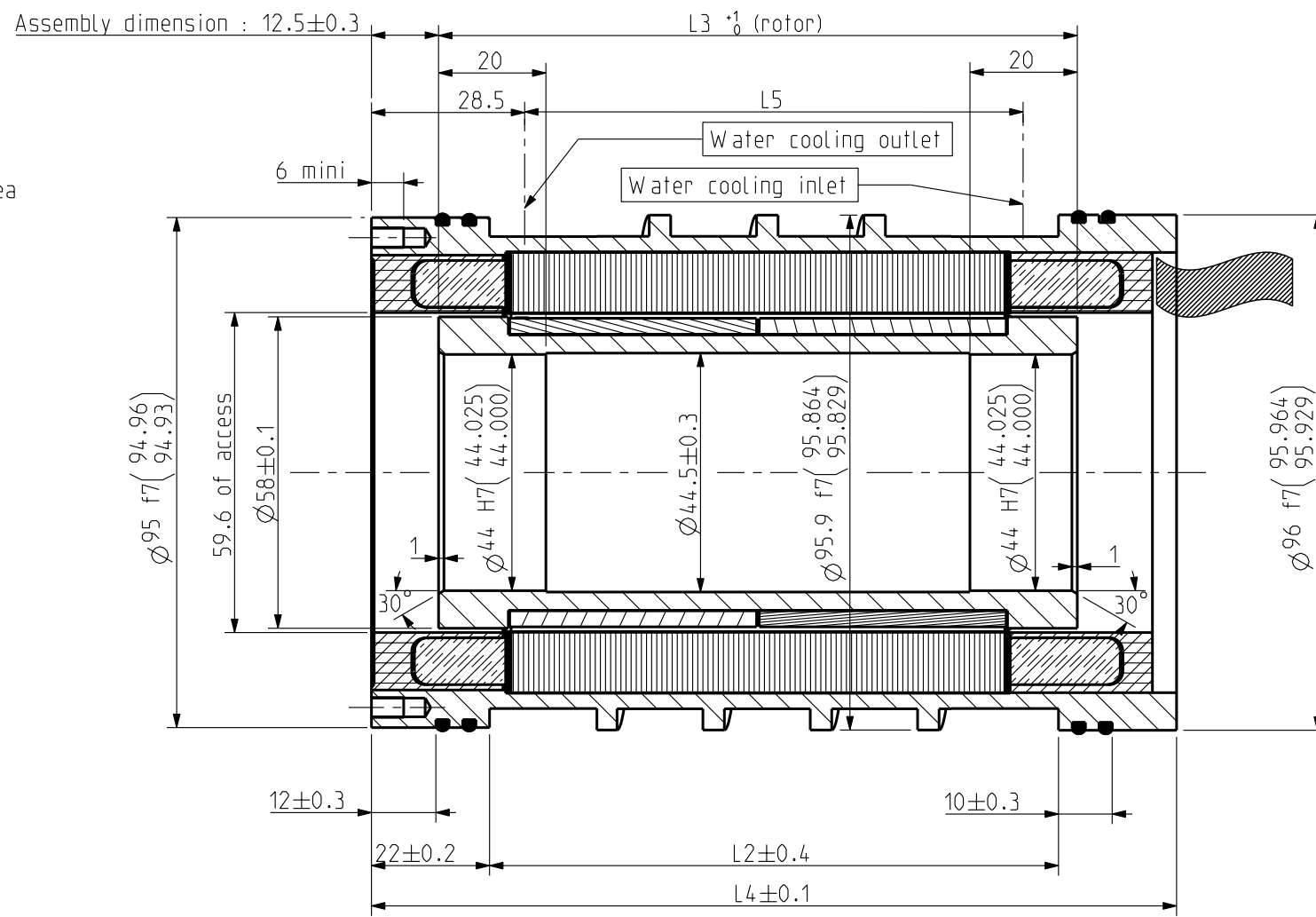
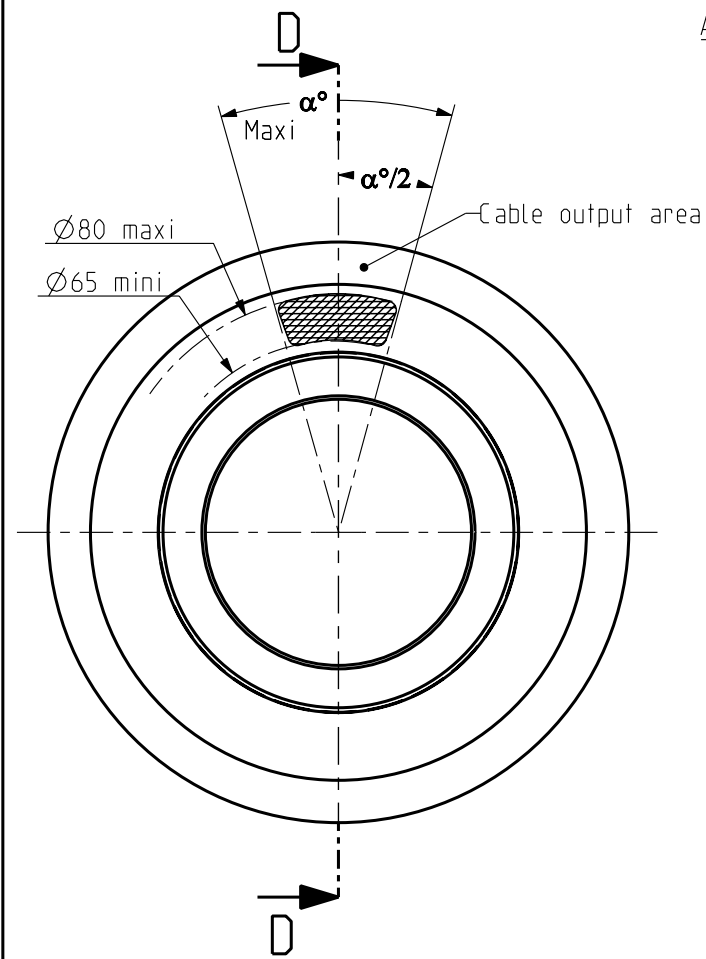
Scale: 1:1

Parker
 8 Avenue du lac. BP249
 21007-DIJON cedex-FRANCE
 www.SSDdrives.com

SKW 073
 OUTLINE DRAWING

Format A3
 F E S G I
 x

344740E3000 A



COUPE D-D

SKW 082 --- LA_R3000

Active Part Length :
 - 046
 - 092
 - 138
 - 184

Winding (depends on speed)
 Torque Speed Characteristics

POWER WIRES
 Phase U : Black U marking
 Phase V : Black V marking
 Phase W : Black W marking
 Cables length 0.8 m

THERMAL SENSORS
 Cables length 0.8 m

Black Black
 PH1/PH2
 PH2/PH3
 PTC 150*
 AWG24 wire

Brown White
 PH1
 KTY 84_130
 AWG24 wire

SKW 082		CONDUCTORS			L2	L3	L4	L5	α°	Average Weight (kg)
		FEP insulation wires. Standard machine tool oil resistant								
		section (mm ²)	Øext (mm)	bending radius (mm)						
046	LAM	2.5	2.74	static use: 4 x Ø dynamic use: 10 x Ø	60	73	104	47	25	2.5
092	LAM				106	119	150	93		4.3
138	LAM	4	3.3		157	165	201	144		6
184	LAM	6	4.3		208	211	252	195		8

Valid for : SKW 082

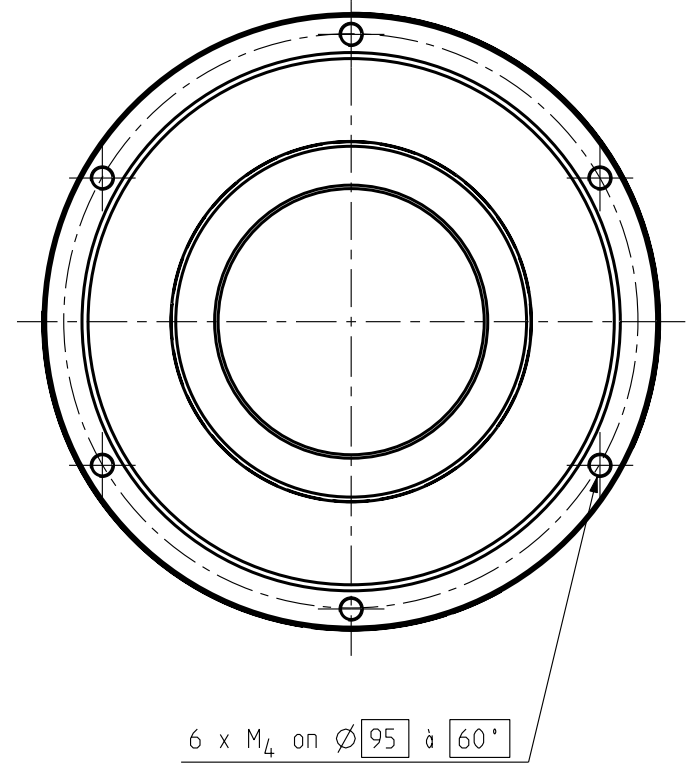
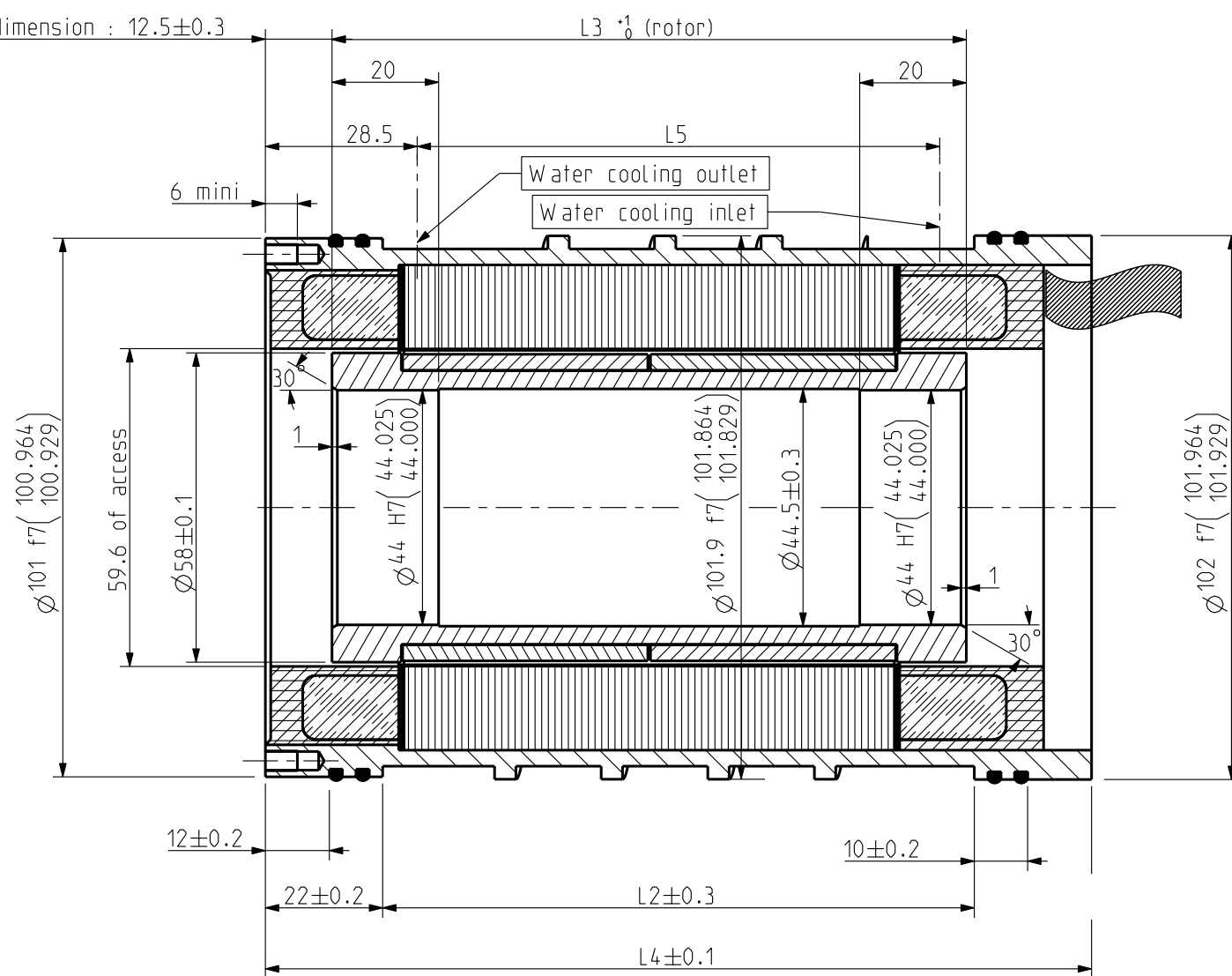
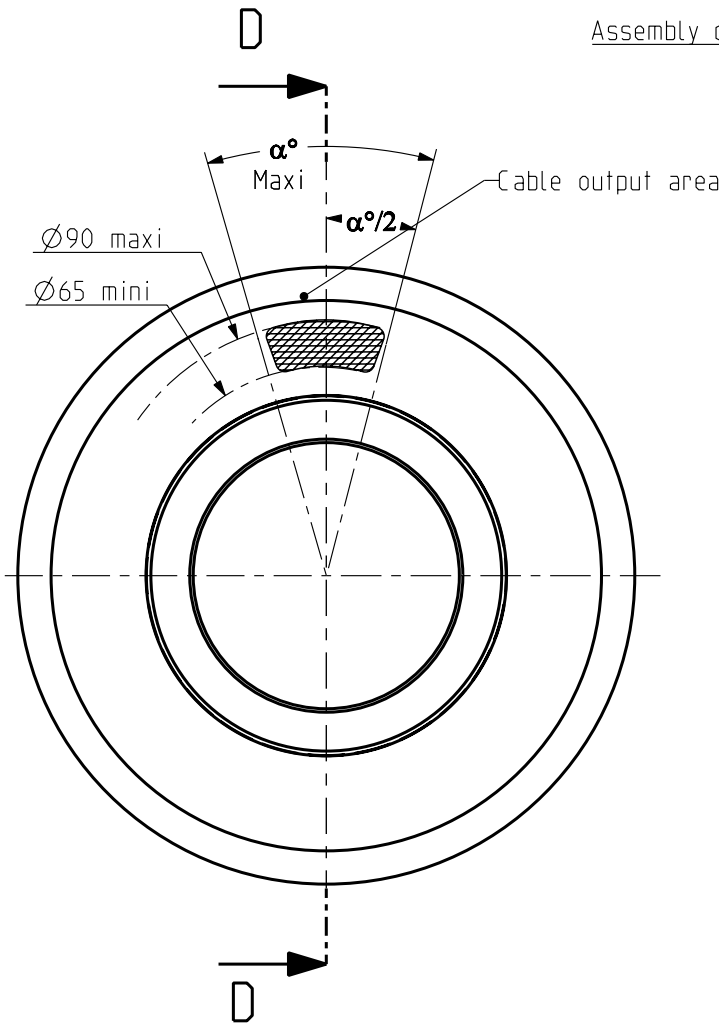
General tolerances DIN ISO 2768 mK	Drawn	11/06/2014	HC	Visa														
	Modifications																	
This drawing is the exclusive property of our firm and is strictly confidential. It cannot be transmitted, reproduced or copied without our written authorisation.		a	AM N°24307 M à j HC 24/06/14															

Scale: 4:5

Parker
 8 Avenue du lac. BP249
 21007-DIJON cedex-FRANCE
 www.SSDdrives.com

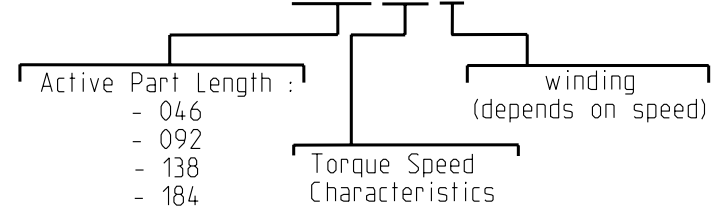
SKW 082
 OUTLINE DRAWING

Format A3
 344817E3000



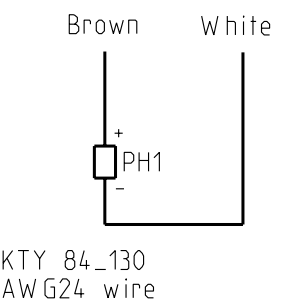
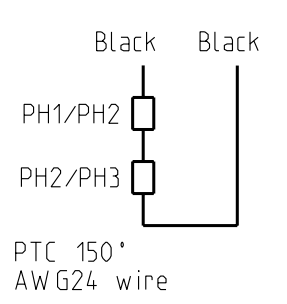
COUPE D - D

SKW 091_---LA_R3000



POWER WIRES
 Phase U : Black
 U marking
 Phase V : Black
 V marking
 Phase W : Black
 W marking
 Cables length 0.8 m

THERMAL SENSORS
 Cables length 0.8 m



SKW 091_		CONDUCTORS FEP insulation wires. Standard machine tool oil resistant			L2	L3	L4	L5	α°	Average Weight (kg)
		section (mm ²)	Ø_{ext} (mm)	bending radius (mm)						
046	LAM	2.5	2.74	static use: 4 x Ø dynamic use: 10 x Ø	60	73	104	47	25	2.6
092	LAM	4	3.3		111	119	155	98		4.5
138	LAM	6	4.3		162	165	206	149		6.3
184	LAM	10	5.45		218	211	262	205		8.5

Valid for : SKW 091

This drawing is the exclusive property of our firm and is strictly confidential. It cannot be transmitted, reproduced or copied without our written authorisation.	General tolerances	Drawn	11/06/2014	HC	Visa														
	DIN ISO 2768 mK	Modifications																	
		a	AM N°24307 Mäj HC 24/06/14																

8 Avenue du lac. BP249
21007-DIJON cedex-FRANCE
www.SSDrives.com

SKW 091

OUTLINE DRAWING

Format A3

344873E3000