

May 12, 2015

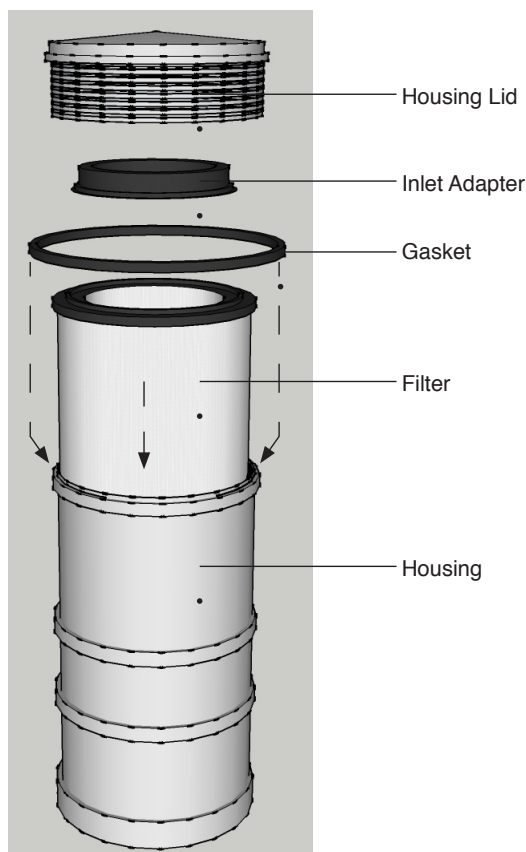
Installation Instructions for RS5287XP and RS5288XP

Baldwin Filters recently introduced the RS5287XP and RS5288XP air filters. Due to design constraints, these filters utilize an inlet adapter while the original equipment filters have this function built into the inlet.

The inlet adapter is placed on top of the filter. The filter seals to the housing lid via the axial compression of the raised urethane rib on the top of the filter. We have

thoroughly tested our products against the original equipment products to verify that we are providing premium aftermarket replacements.

Please see the illustration below, which shows the proper installation of the furnished inlet adapter with our products.



1. Install filter.
2. Place inlet adapter on top of filter as shown.
3. Install gasket on housing.
4. Close housing lid. Lid will hold inlet adapter in place.

If you have further questions, please contact our Service Engineering Team at (800) 822-5394.



WARNING: These products can expose you to chemicals, including Diisononyl Phthalate, Carbon black extracts, Nickel, 1,3 Butadiene, Ethylene Oxide, Epichlorohydrin, which are known to the State of California to cause cancer, and Bisphenol-A, Ethylene Glycol, Ethylene Oxide, 1,3 Butadiene, Epichlorohydrin, which are known to the State of California to cause birth defects or other reproductive harm. For more information go to www.P65Warnings.ca.gov.