

# Pneumatic systems

A comprehensive offering of solutions for your pneumatic applications



## Customer benefits:

- Systems provide maximum functionality with the minimum number of components possible
- Reduced processing costs thanks to a joint concept
- More intelligent systems link electronic commands with mechanical devices
- Shorter cycle times
- Systems that are easy to install and immediately operational
- Optimized systems with lower energy consumption



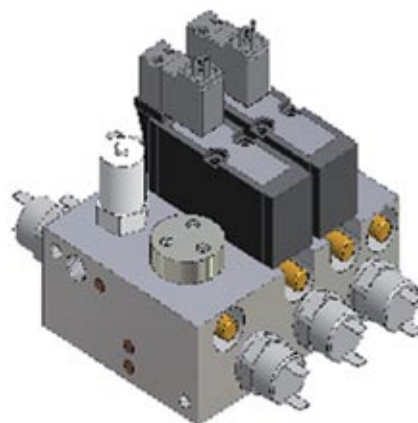
## Contact:

European Product Information Centre  
Free phone: 00 800 27 27 5374  
(from AT, BE, CH, CZ, DE, DK, ES, FI, FR, IE, IT, NL, NO, PL, PT, RU, SE, UK, ZA)  
Fax: +44 1442 458112  
US Product Information Centre  
Free phone: 1-800-27 27 537

[www.parker.com](http://www.parker.com)

## Features:

- Customized analysis and survey of your needs
- Expertise for your pneumatic projects from dedicated engineers
- Support with commissioning
- Reliable and tested hardware
- Quality fully guaranteed through test reports for delivered equipment



ENGINEERING YOUR SUCCESS.

LEAF/0099-PSys/UK-INTL 11/2008/RT