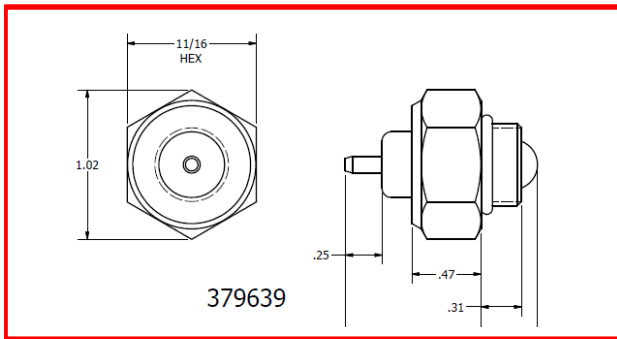




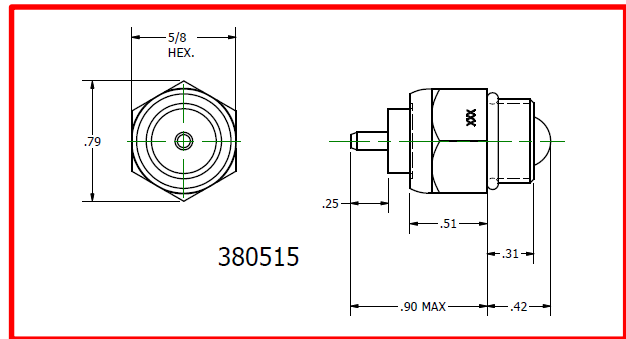
Indicator Switch Change

In the spirit of product improvement, Chelsea has made a change to increase the integrity of the normally open indicator switch used on most PTOs. With the new design, the switch will be able to better withstand the harsh conditions that some of our PTOs experience. **The part number for the new style switch is 380515.**

There are very few physical differences between the old and new switch. The most notable difference is the nut size of the switch has been reduced from 11/16" on the 379639 to 5/8" on the new 380515.



Old Switch



New Switch

If you have questions about this bulletin or other technical questions, contact us at:

- US: Chelsea Customer/Technical Services **1-888-PH4-TRUK** (1-888-744-8785)
- Canada: Parker Hannifin Canada, 1 905-693-3020
- Europe: Parker Hannifin Europe, +49 (0) 371 3937 157

Curtis Dalton
Product Sales Manager
Chelsea Products