

Chelsea® 590 Series

PowerShift Hydraulic Rear Mount



Overview:

The 590 Series is designed for automatic transmissions that offer a rear mount provision. The 590 offers simplified installation because there is no backlash to set. The rear mounting position provides excellent clearance for larger pump designs. The 590 is available with direct mount pump flanges; each features a wet splined pump flange option that will help extend the PTO and pump shaft life up to 10 times its normal life expectancy. Also available is a 1410 Series companion flange output for remote mounted driven equipment. The 590 is available in both 12 and 24 volt shift options. With an excellent power to weight ratio this PTO is an excellent choice for heavy duty applications. Versatility, power, ease of maintenance and installation make the 590 Series the only choice for your vocational truck needs.

- Fire & Rescue
- Refuse
- Vacuum
- Oil & Gas
- Hydro Excavation



Contact Information:

Parker Hannifin Corporation
Chelsea Products Division
8225 Hacks Cross Road
Olive Branch, MS 38654 USA

Phone: 1-888-PH4-TRUK
(1-888-744-8785)

Fax: 1-662-895-1069
chelseacustserv@parker.com

www.parker.com/chelsea

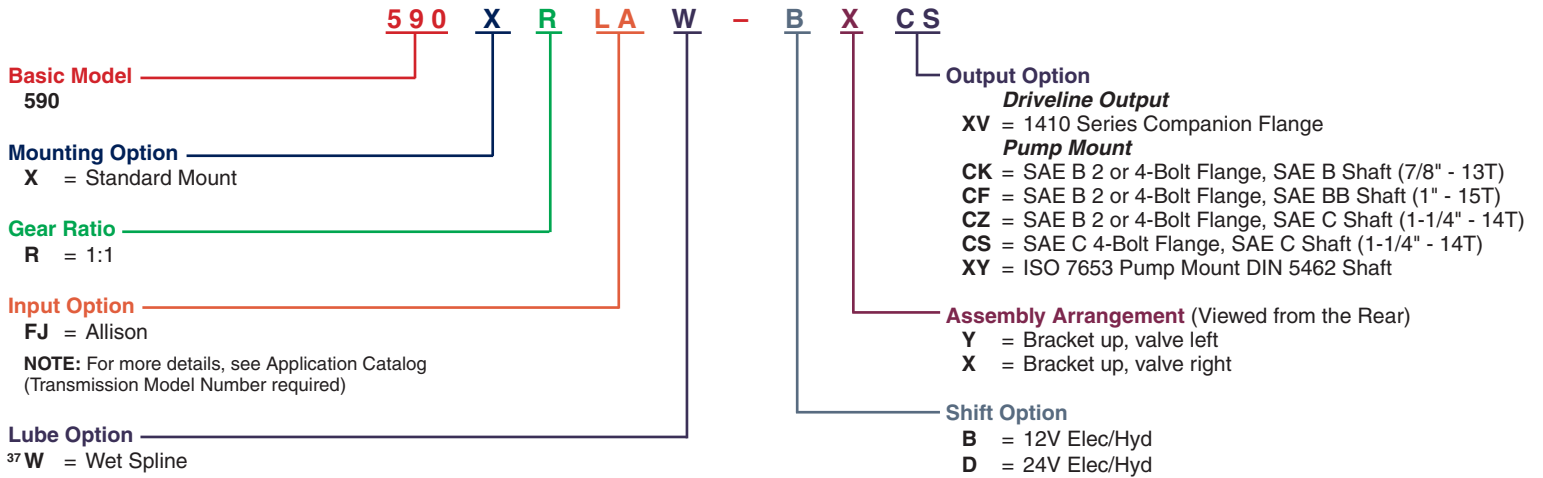


Product Features and Benefits:

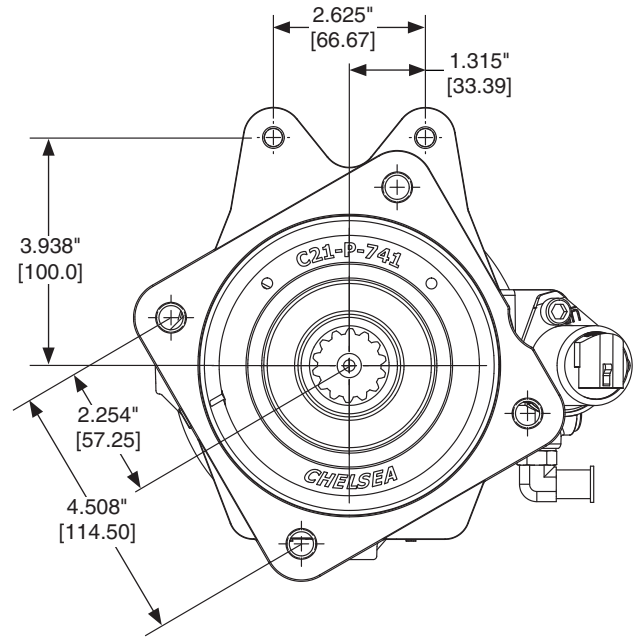
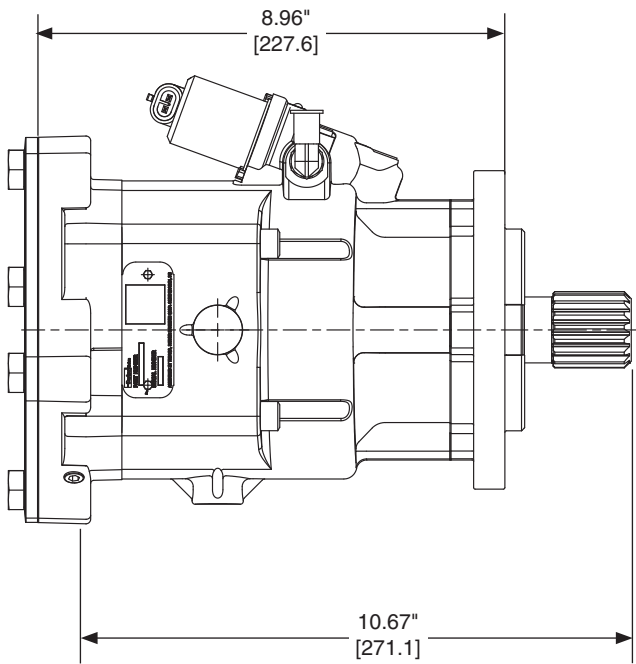
- **Installation** – Reduced time over side mounted PTOs
- **Backlash** – None to set
- **Clearance** – Excellent clearance for direct mounted pumps
- **Outputs** – Six output options
- **Speed** – 124 HP at 1000 RPM of shaft speed
- **Power** – Heavy Duty Torque ratings up to 600 lbs-ft
- **Output** – Standard output is a SAE C flange and shaft
- **Pump Flange** – All direct mount pump flange options are wet splined for superior shaft life
- **PTO/Pump Support Bracket** – Included

ENGINEERING YOUR SUCCESS.

590 SERIES POWER TAKE-OFF SPECIFICATIONS AND TECHNICAL DATA



³⁷ Automatically pressure lubed with Wet Spline



Specifications Chart

Approximate Weight: 50 lbs. [22.8 kg]

	590*R
Intermittent & Continuous Torque Rating (lbs-ft) [Nm]	650 [881]
HP Rating for Intermittent & Continuous Duty	
At 500 RPM of Output Shaft (HP) [Kw]	62 [46]
At 1000 RPM of Output Shaft (HP) [Kw]	124 [93]

*For the 590 Series, 650 lbs-ft Torque Rating is for both Intermittent and Continuous – all Output Options.

© 2018 Parker Hannifin Corporation

Supersedes HY25-0179-B1/US March 2018 HY25-0179-B1/US May 2018



ENGINEERING YOUR SUCCESS.