

Chelsea® 877 Series

Ten Bolt Constant Mesh PTO



Overview:

Power density is what you will find in the Chelsea 877 Series PTO. The 877 Series has a 10-Bolt mounting pattern that will fit on today's popular automatic transmissions, like the Allison 3000/4000 Family. Its compact housing eliminates clearance issues. Two assembly arrangements maximize installation possibilities. High capacity bearings and superior gear designs deliver torque ratings up to 670 lbs-ft for ultimate performance. There is no need to de-rate the PTO for continuous duty applications. A single hose is required for a simplified installation. Multiple gear ratios offer a wide variety of speeds to meet a variety of application requirements. Direct mount pump flange options are available with our Wet Spline technology to increase PTO and pump shaft life. Versatility, power, ease of maintenance and installation make the 877 Series the only choice for your vocational truck requirements.

- Fire & Rescue
- Refuse
- Vacuum
- Snow & Ice
- Blower & Vacuum



Contact Information:

Parker Hannifin Corporation
Chelsea Products Division
8225 Hacks Cross Road
Olive Branch, MS 38654 USA

Phone: 1-888-PH4-TRUK
(1-888-744-8785)

Fax: 1-662-895-1069
chelseacustserv@parker.com

www.parker.com/chelsea

Product Features and Benefits:

- **Power** – Torque capacity up to 670 lbs-ft / 908 Nm
- **Compact** – Housing height reduces clearance issues
- **Speeds** – Ten speed ratios
- **Outputs** – Seven output options
- **Protection** – Wet Spline pump flange extends PTO and pump shaft life



ENGINEERING YOUR SUCCESS.

877 SERIES POWER TAKE-OFF SPECIFICATIONS AND TECHNICAL DATA

877 X A FJ P - M 5 XV

Basic Model
877

Mounting Option
X = Standard Mount w/ Metric Studs

Gear Ratio (Internal)
 A = 24/40
 B = 25/39
 C = 26/38
 D = 27/37
 E = 29/35
 F = 31/33
 K = 32/32
 G = 33/31
 H = 34/30
 J = 35/29

Input Option
 FJ = Allison
 NOTE: For more details, see Application Catalog (Transmission Model Number required)

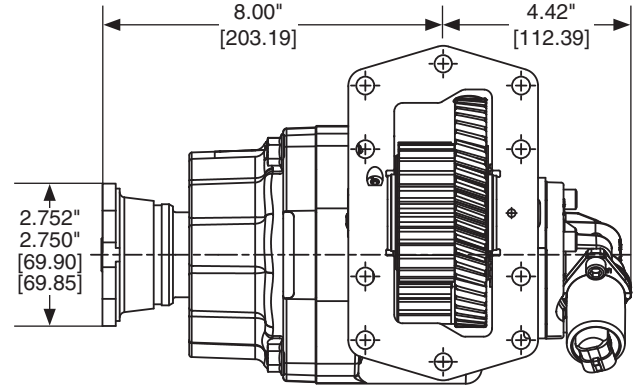
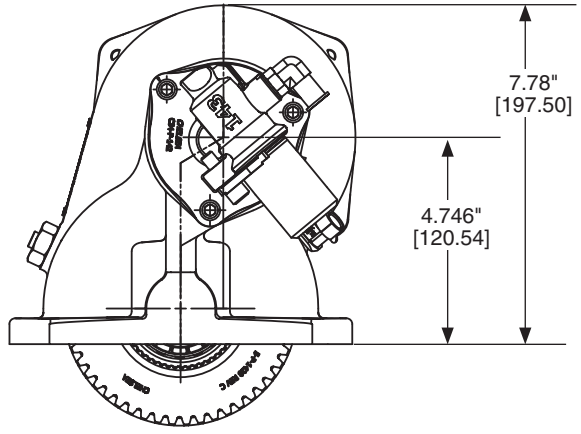
Lube Option
Pressure
 P = Pressure Lube
Wet Spline
⁵W = Wet Spline

Output Option
Driveline Output
 XV = 1410 Series Companion Flange
 AB = DIN 120 Flange
 AC = DIN 100 Flange
Pump Mount
⁴⁷RF = Rotatable SAE B 2 or 4-Bolt Flange, SAE BB Shaft (1" - 15T)
⁴⁷RZ = Rotatable SAE B 2 or 4-Bolt Flange, SAE C Shaft (1-1/4" - 14T)
⁴⁷RS = Rotatable SAE C 2 or 4-Bolt Flange, SAE C Shaft (1-1/4" - 14T)
⁴⁷RY = Rotatable ISO 7653 Pump Mount DIN 5462 Shaft

Assembly Arrangement
 3 = Right side - bulge down
 Left side - bulge up
 5 = Left side - bulge down
 Right side - bulge up

Shift Option
 M = Constant Mesh

⁵ Automatically pressure lubed
⁴⁷ Available with Wet Spline



Specifications Chart	Approximate Weight: 56 lbs. [25 kg]									
	877*A	877*B	877*C	877*D	877*E	877*F	877*K	877*G	877*H	877*J
Continuous Torque Rating (lbs-ft) [Nm]	670 [908]	630 [854]	590 [800]	550 [746]	485 [658]	430 [583]	357 [484]	380 [515]	355 [481]	335 [454]
HP Rating for Continuous Duty										
At 500 RPM of Output Shaft (HP) [Kw]	64 [48]	60 [45]	56 [42]	52 [39]	46 [35]	41 [31]	34 [25]	36 [27]	34 [25]	32 [24]
At 1000 RPM of Output Shaft (HP) [Kw]	128 [95]	120 [90]	112 [84]	105 [78]	92 [69]	82 [61]	68 [51]	72 [54]	68 [51]	64 [48]

© 2018 Parker Hannifin Corporation

Supersedes HY25-0153-B1/US September 2017 HY25-0153-B1/US July 2018



ENGINEERING YOUR SUCCESS.