

Chelsea® 877 Series

Ten Bolt Constant Mesh PTO



Overview:

Power density is what you will find in the Chelsea 877 Series PTO. The 877 Series has a 10-Bolt mounting pattern that will fit on today's popular automatic transmissions, like the Allison 3000/4000 Family. Its compact housing eliminates clearance issues. Two assembly arrangements maximize installation possibilities. High capacity bearings and superior gear designs deliver torque ratings up to 670 lbs-ft for ultimate performance. There is no need to de-rate the PTO for continuous duty applications. A single hose is required for a simplified installation. Multiple gear ratios offer a wide variety of speeds to meet a variety of application requirements. Direct mount pump flange options are available with our Wet Spline technology to increase PTO and pump shaft life. Versatility, power, ease of maintenance and installation make the 877 Series the only choice for your vocational truck requirements.

- Fire & Rescue
- Refuse
- Vacuum
- Snow & Ice
- Blower & Vacuum



Contact Information:

Parker Hannifin Corporation
Chelsea Products Europe
Building 93, Vantage Point
Kingswinford, DY6 7FR
GROSSBRITANNIEN

Phone: +44 (0) 1384 282777

Fax: +44 (0) 1384 401851

chelseacustserv@parker.com

www.parker.com/chelsea

Product Features and Benefits:

- **Power** – Torque capacity up to 670 lbs-ft / 908 Nm
- **Compact** – Housing height reduces clearance issues
- **Speeds** – Ten speed ratios
- **Outputs** – Seven output options
- **Protection** – Wet Spline pump flange extends PTO and pump shaft life



ENGINEERING YOUR SUCCESS.

877 SERIES POWER TAKE-OFF SPECIFICATIONS AND TECHNICAL DATA

877 X A FJ P - M 5 XV

Basic Model
877

Mounting Option

X = Standard Mount w/ Metric Studs

Gear Ratio

(Internal)

- A = 24/40
- B = 25/39
- C = 26/38
- D = 27/37
- E = 29/35
- F = 31/33
- K = 32/32
- G = 33/31
- H = 34/30
- J = 35/29

Input Option

FJ = Allison

NOTE: For more details, see Application Catalog
(Transmission Model Number required)

Lube Option

Pressure

P = Pressure Lube

Wet Spline

⁵W = Wet Spline

⁵ Automatically pressure lubed

⁴⁷ Available with Wet Spline

Output Option

Driveline Output

XV = 1410 Series Companion Flange

AB = DIN 120 Flange

AC = DIN 100 Flange

Pump Mount

⁴⁷RF = Rotatable SAE B 2 or 4-Bolt Flange,
SAE BB Shaft (1" - 15T)

⁴⁷RZ = Rotatable SAE B 2 or 4-Bolt Flange,
SAE C Shaft (1-1/4" - 14T)

⁴⁷RS = Rotatable SAE C 2 or 4-Bolt Flange,
SAE C Shaft (1-1/4" - 14T)

⁴⁷RY = Rotatable ISO 7653 Pump Mount
DIN 5462 Shaft

Assembly Arrangement

3 = Right side - bulge down

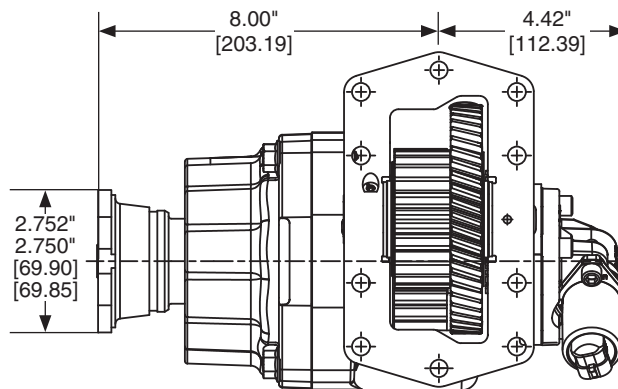
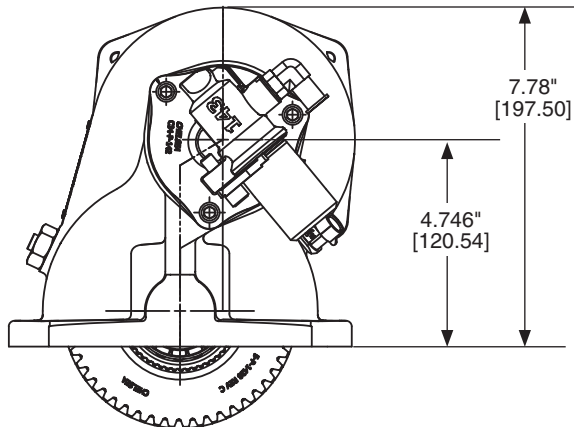
Left side - bulge up

5 = Left side - bulge down

Right side - bulge up

Shift Option

M = Constant Mesh



Specifications Chart

Approximate Weight: 56 lbs. [25 kg]

	877*A	877*B	877*C	877*D	877*E	877*F	877*K	877*G	877*H	877*J
Continuous Torque Rating (lbs-ft) [Nm]	670 [908]	630 [854]	590 [800]	550 [746]	485 [658]	430 [583]	357 [484]	380 [515]	355 [481]	335 [454]
HP Rating for Continuous Duty										
At 500 RPM of Output Shaft (HP) [Kw]	64 [48]	60 [45]	56 [42]	52 [39]	46 [35]	41 [31]	34 [25]	36 [27]	34 [25]	32 [24]
At 1000 RPM of Output Shaft (HP) [Kw]	128 [95]	120 [90]	112 [84]	105 [78]	92 [69]	82 [61]	68 [51]	72 [54]	68 [51]	64 [48]

© 2018 Parker Hannifin Corporation

Supersedes HY25-0153-B1/UK September 2017 HY25-0153-B1/UK July 2018