

# Chelsea® CAT-H Series

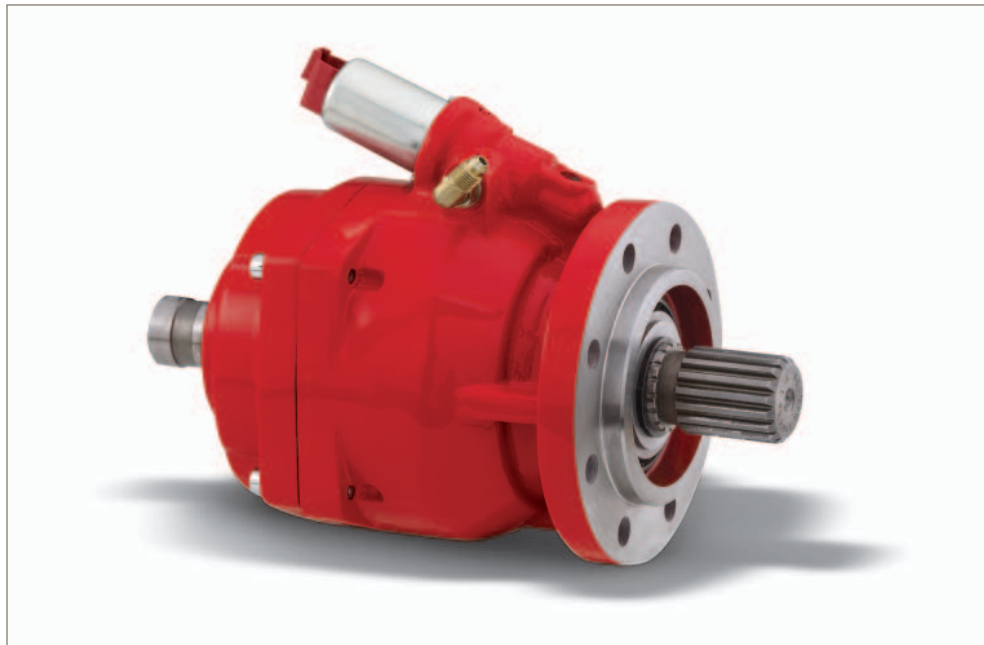
Rear Mount Power Take-Off



## Overview:

The CAT-H Series rear-mounted P.T.O., available for the entire line of Caterpillar CX Series transmissions, is the best way to eliminate frame clearance issues commonly faced with the use of a side-mounted P.T.O. Chelsea's easy-to-install, constant mesh CAT-H Series P.T.O. runs at 125% of engine speed and offers multiple output options, including S.A.E. "B", DIN, and 1410 driveshaft. With advancements such as O-Ring seals on joints and the Wet Spline output option, the "CAT" Series P.T.O. will out perform the competition and provide you with more power and longer life.

- Walking Floors
- Bulk Transporters
- Dump Truck
- Concrete Trucks



## Product Features and Benefits:

### Contact Information:

Parker Hannifin Corporation  
**Chelsea Products Division**  
8225 Hacks Cross Road  
Olive Branch, MS 38654 USA

**Phone: 1-888-PH4-TRUK**  
**(1-888-744-8785)**

**Fax: 1-662-895-1069**  
**chelseacustserv@parker.com**

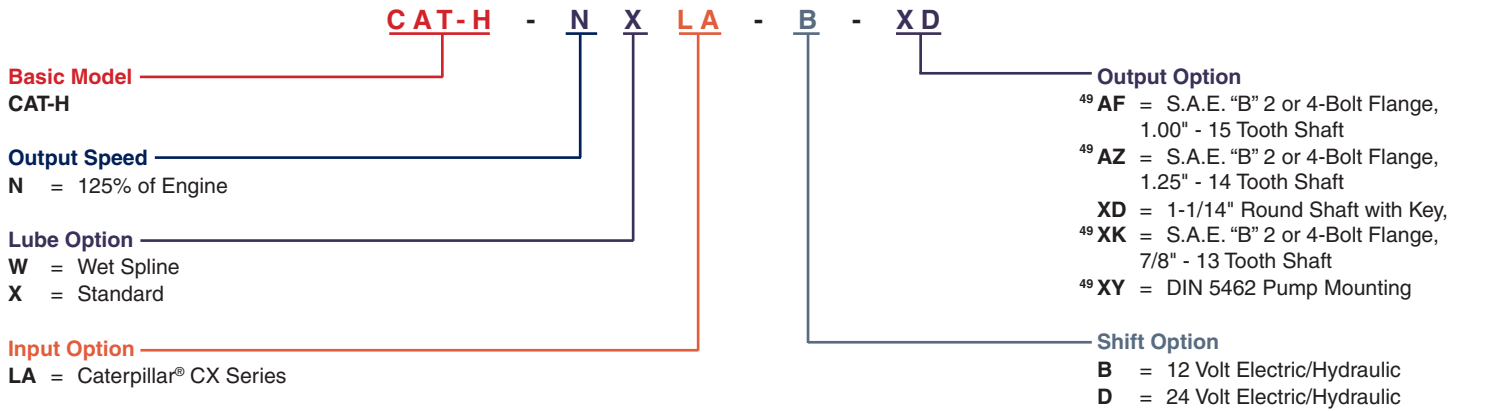
[www.parker.com/chelsea](http://www.parker.com/chelsea)

- Direct Drive (patent # 7,510,064 B2) Powershift P.T.O. for Caterpillar®
- Continuous Torque Rating of 335 Lbs. ft.
- Five Output Options "XD" Output Standard
- Unique Design for Maximum Clearance
- Lightest Weight Direct Drive Powershift Does Not Exceed Caterpillar® Weight Limits
- Wet Spline Output Available which Increases Spline Life by a Factor of 10

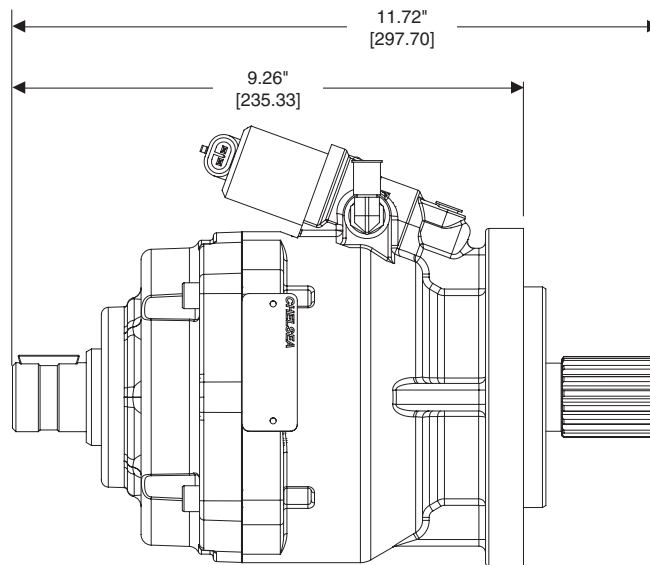


ENGINEERING YOUR SUCCESS.

# CAT-H SERIES POWER TAKE-OFF SPECIFICATIONS AND TECHNICAL DATA



<sup>49</sup> Also available as a Wet Spline "W" Option



## Specifications Chart

	CAT-H
Standard Output Shaft Size	1-1/4" Round Shaft w/key
Continuous Torque Rating (Lbs. ft.)*	335
Continuous Torque Rating (N.m.)	454
Horsepower Rating for Continuous Service	
At 500 R.P.M. of the Output Shaft (HP)	32
At 1000 R.P.M. of the Output Shaft (HP)	64
At 500 R.P.M. of the Output Shaft (Kw)	24
At 1000 R.P.M. of the Output Shaft (Kw)	48
Approximate Weight:	42.5 lbs. [19.3 kg]

\* For the CAT-H, 335 Lbs. ft. Torque Rating is for both Intermittent and Continuous, All Output Options.