

# Chelsea® 852 Series

Heavy Duty 8-Bolt Hydraulic  
PowerShift PTO



## Overview:

The Chelsea 852 PTO is another example of why Chelsea PTO technology is the best in the business. This 8-Bolt Hydraulic PowerShift is a workhorse of the Chelsea PTO line. It features a cast iron housing and heavy duty ball bearings on the output shaft, along with the large clutch pack to provide you with a torque rating up to 500 lbs-ft and a long service life in heavy duty applications. Three output options, three internal speed ratios and five shift options make this one versatile PTO. Take advantage of over 65 years of Chelsea PTO technology to increase performance and lower costs.

- Oil Field
- Bulk Transporter
- Fire & Rescue



## Contact Information:

Parker Hannifin Corporation  
**Chelsea Products Division**  
8225 Hacks Cross Road  
Olive Branch, MS 38654 USA

**Phone: 1-888-PH4-TRUK**  
(1-888-744-8785)

**Fax: 1-662-895-1069**  
chelseacustserv@parker.com

[www.parker.com/chelsea](http://www.parker.com/chelsea)

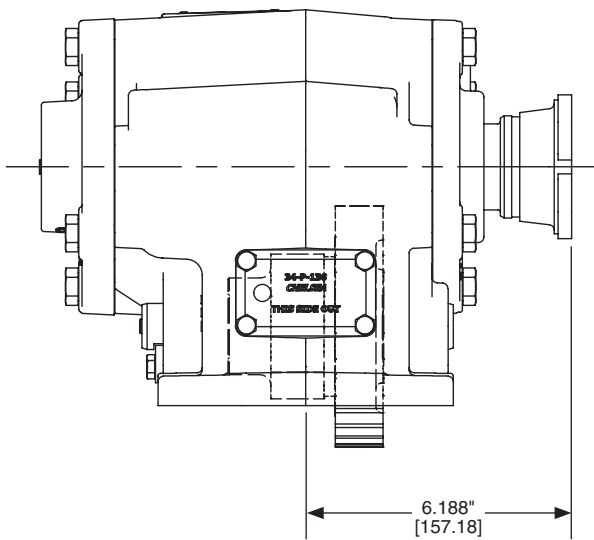
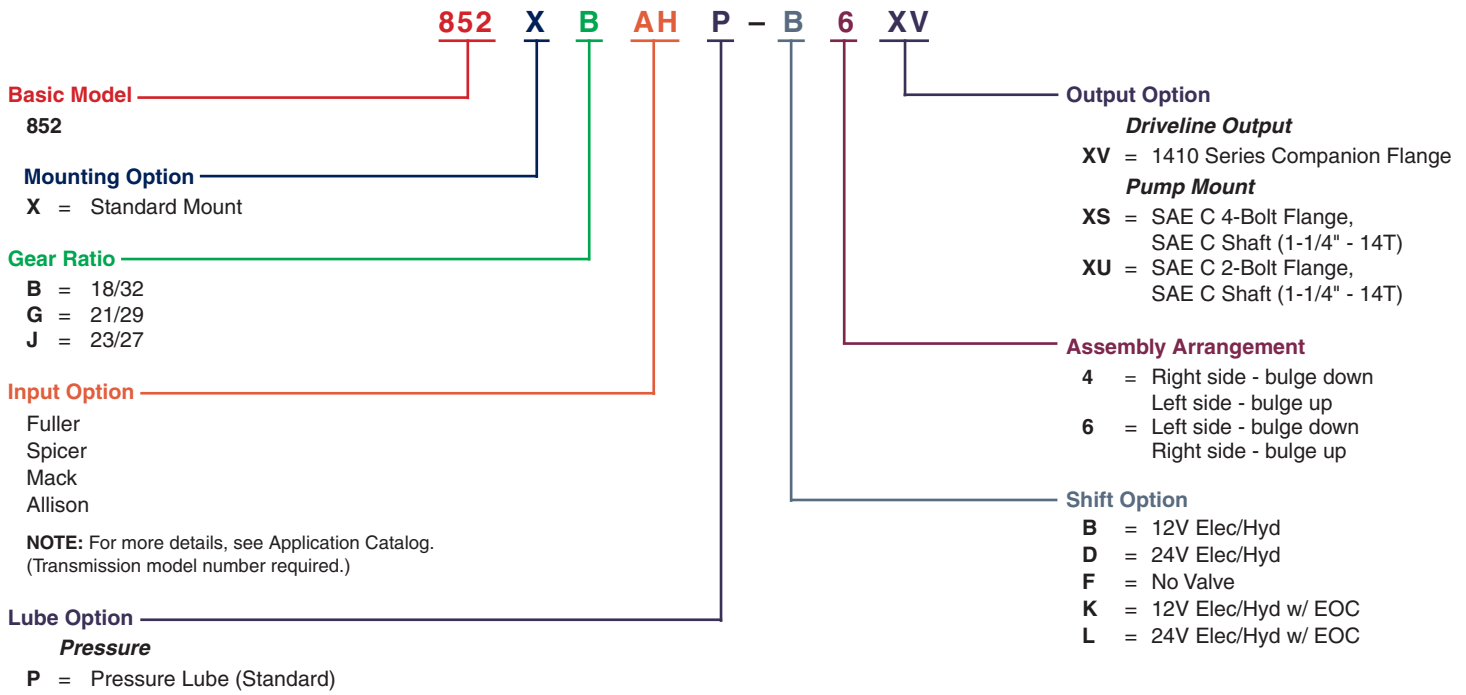
## Product Features and Benefits:

- **Power** – Intermittent Torque Rating of up to 500 lbs-ft
- **Speeds** – Three speed ratios to choose from
- **Outputs** – Pump flanges to fit most popular hydraulic pumps
- **Protection** – Pressure lubrication standard
- **Confidence** – Two Year Warranty

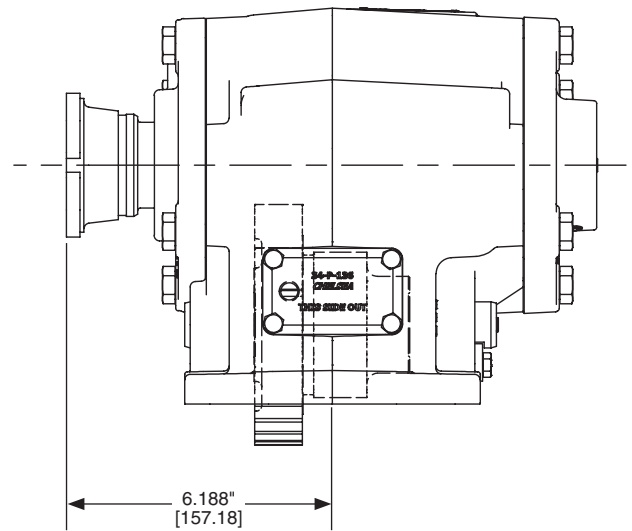


ENGINEERING YOUR SUCCESS.

# 852 SERIES POWER TAKE-OFF SPECIFICATIONS AND TECHNICAL DATA



Assembly 4



Assembly 6

Specifications Chart	Approximate Weight: 88 lbs. [40 kg]		
	852*B	852*G	852*J
Intermittent & Continuous Torque Rating (lbs-ft) [Nm]	500 [678]	500 [678]	500 [678]
HP Rating for Intermittent & Continuous Service			
At 500 RPM of Output Shaft (HP) [Kw]	48 [36]	48 [36]	48 [36]
At 1000 RPM of Output Shaft (HP) [Kw]	95 [71]	95 [71]	95 [71]

© 2017 Parker Hannifin Corporation

Supersedes HY25-0108-B1/UK February 2016 HY25-0108-B1/UK June 2017