

Chelsea® 243 Series

Powershift P.T.O. for Aisin Transmissions



Overview:

The Chelsea 243 Series provides you with an economical and easy to install P.T.O. for the Aisin Automatic transmission. This popular transmission is used in the Mitsubishi Truck line. The 243 Series was engineered to mount directly to the transmission eliminating the need for costly adapters or mounting plates. The unique design provides you with maximum clearance underneath the vehicle. Four shift options, two output options and eight pump options selected for maximum clearance and flow capacities provide you with a power package unmatched in the industry. The 243 Series utilizes Chelsea's field proved clutch pack technology to provide you with smooth clash-free shifting. All these features provide you the performance benefits you expect from Chelsea technology.

- Tow and Recovery
- Aerial Devices
- Dump Truck & Trailers

Contact Information:

Parker Hannifin Corporation
Chelsea Products Division
8225 Hacks Cross Road
Olive Branch, MS 38654 USA

Phone: 1-888-PH4-TRUK
(1-888-744-8785)

Fax: 1-662-890-5379
chelseacustserv@parker.com

www.parker.com/chelsea



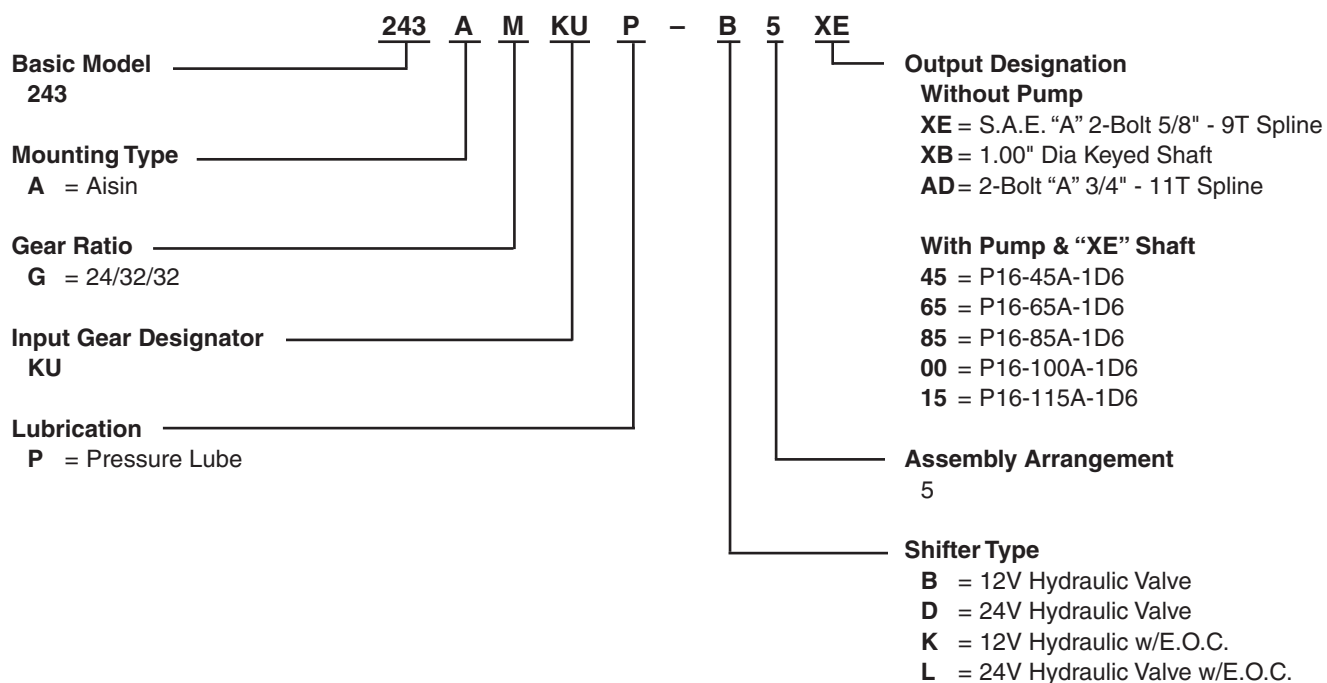
Product Features and Benefits:

- Two Year Warranty
- Electronic Overspeed Control
- No Backlash to set
- Four (4) Shift options
- Two (2) Output options
- Eight (8) Direct mount pumps



ENGINEERING YOUR SUCCESS.

Model Number Designation



Series Specifications Chart – 243 Series

	243*G
Standard Output Shaft Size	1" Round w/key
Intermittent Torque Rating (Lbs. ft.)	85
Intermittent Torque Rating (N.m.)	115
Horsepower Rating for Intermittent Service	
At 500 R.P.M. of Output Shaft (HP)	8
At 1000 R.P.M. of Output Shaft (HP)	16
At 500 R.P.M. of Output Shaft (Kw)	6
At 1000 R.P.M. of Output Shaft (Kw)	12
Approximate Weight:	18 lbs. [8.1 kg]

© 2012 Parker Hannifin Corporation

Supercedes HY25-0105-B1/US June 2010

HY25-0105-B1/US February 2012



ENGINEERING YOUR SUCCESS.