

Chelsea® 231 Series

Air Shifted Powershift P.T.O. with a Low Profile Housing for Mechanical and Automatic Transmissions



Overview:

The 231 Series now gives you the ability to mount a Powershift P.T.O. directly on a mechanical transmission as you have done for years with the 442 Series mechanical P.T.O. This provides the operator a smooth engagement with no gear clashing which helps extend the life of the P.T.O. and transmission gears. The low profile housing design will provide better clearance from frame rail interference. The 231 Series feature 5 internal speed ratios, 8 shift options and 12 output options. The 231 Series features an option for protecting your driven equipment; this is our Electronic Overspeed Control (E.O.C.). This feature prevents the driver from going down the road with the P.T.O. engaged preventing cavitations on hydraulic equipment. Another popular feature available for the 231 Series is the internal self adjusting shaft brake. This prevents shaft rotation on devices such as water or transfer pumps when the P.T.O. is disengaged.

- LP Gas Trucks
- Water Trucks
- Fire and Rescue
- Aerial Devices
- Dump Truck & Trailers
- Snow and Ice Removal



Contact Information:

Parker Hannifin Corporation
Chelsea Products Division
8225 Hacks Cross Road
Olive Branch, MS 38654 USA

Phone: 1-888-PH4-TRUK
(1-888-744-8785)

Fax: 1-662-895-1069
chelseacustserv@parker.com

www.parker.com/chelsea

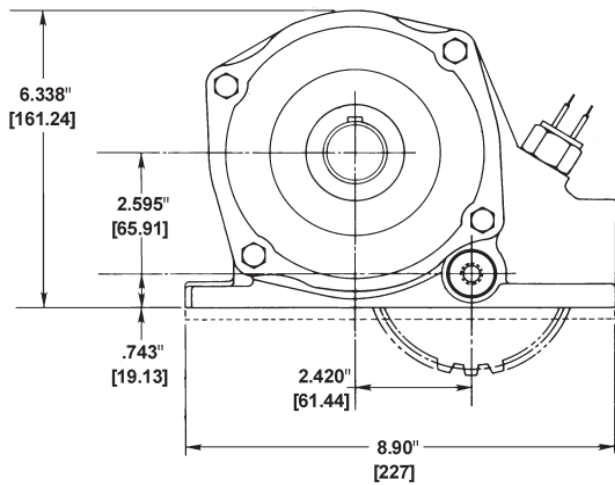
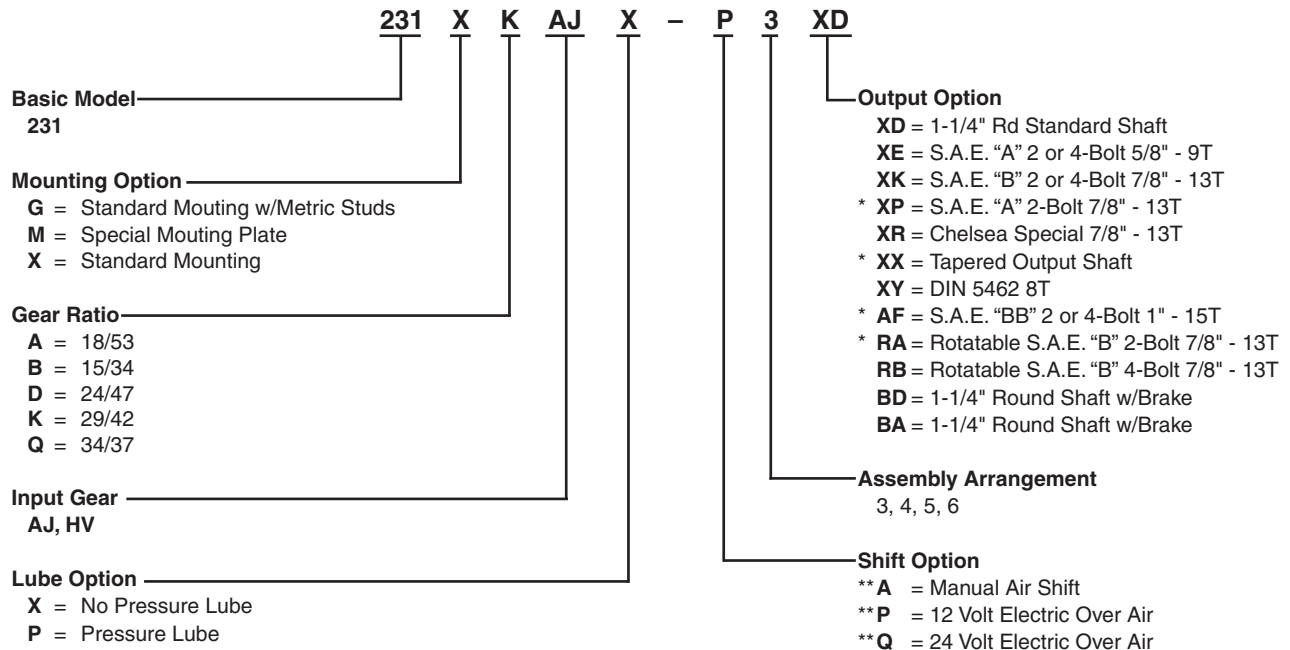
Product Features and Benefits:

- Designed for both Manual and Automatic transmissions
- Electric-over-air shifting
- 231 offers low profile housing for avoiding clearance problems
- Pressure lubrication option available for both units
- Internal self adjusting shaft brake option (patent #7159701)
- P.T.O./Dump Pump combo valve shift option available
- Two Year Warranty
- Electronic Overspeed Control
- Low Profile Housing



ENGINEERING YOUR SUCCESS.

Model Number Designator



*Available assembly 3 and 5 only
**Includes mounting parts

Series Specifications Chart – 231 Series

	231*A,B,D,K & Q w/Pressure Lube	231*A,B,D,K & Q w/Standard Lube
Standard Output Shaft Size	1-1/4" Round w/key	
Intermittent Torque Rating (Lbs. ft.)	250	225
Intermittent Torque Rating (N.m.)	339	305
Horsepower Rating for Intermittent Service		
At 500 R.P.M. of Output Shaft (HP)	24	21
At 1000 R.P.M. of Output Shaft (HP)	48	43
At 500 R.P.M. of Output Shaft (Kw)	18	16
At 1000 R.P.M. of Output Shaft (Kw)	36	32
Approximate Weight:	49 lbs. [22 kg]	