

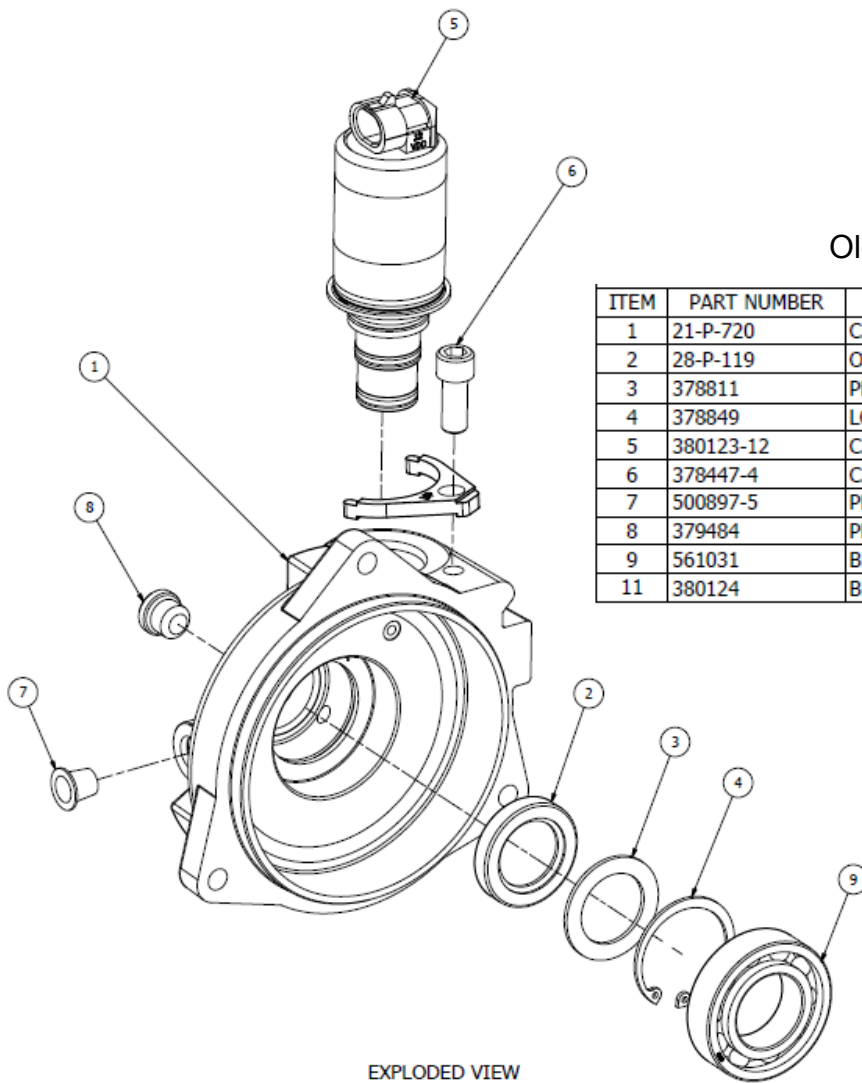
249 Valve Cap and Shaft Change

Chelsea has made a running change to the design of the 249 valve cap and output shaft that will improve performance and durability. The New Design requires a new shaft and valve cap part number. The old and new designs are NOT interchangeable. Both the valve cap and shaft MUST be changed at the same time.

The New Design includes the following changes:

1. New Bearing – larger ID and OD
2. New Housing – modified for new bearing
3. New Lockring – to retain the bearing.
4. New Shaft – required due to the new bearing ID.

All 248 and 249 Series PTOs with serial numbers prior to 5112**** were built with the old design. It is not necessary to change to the new design until a repair or conversion is required. All 249V PTOs were built with the new valve cap and shaft already installed.

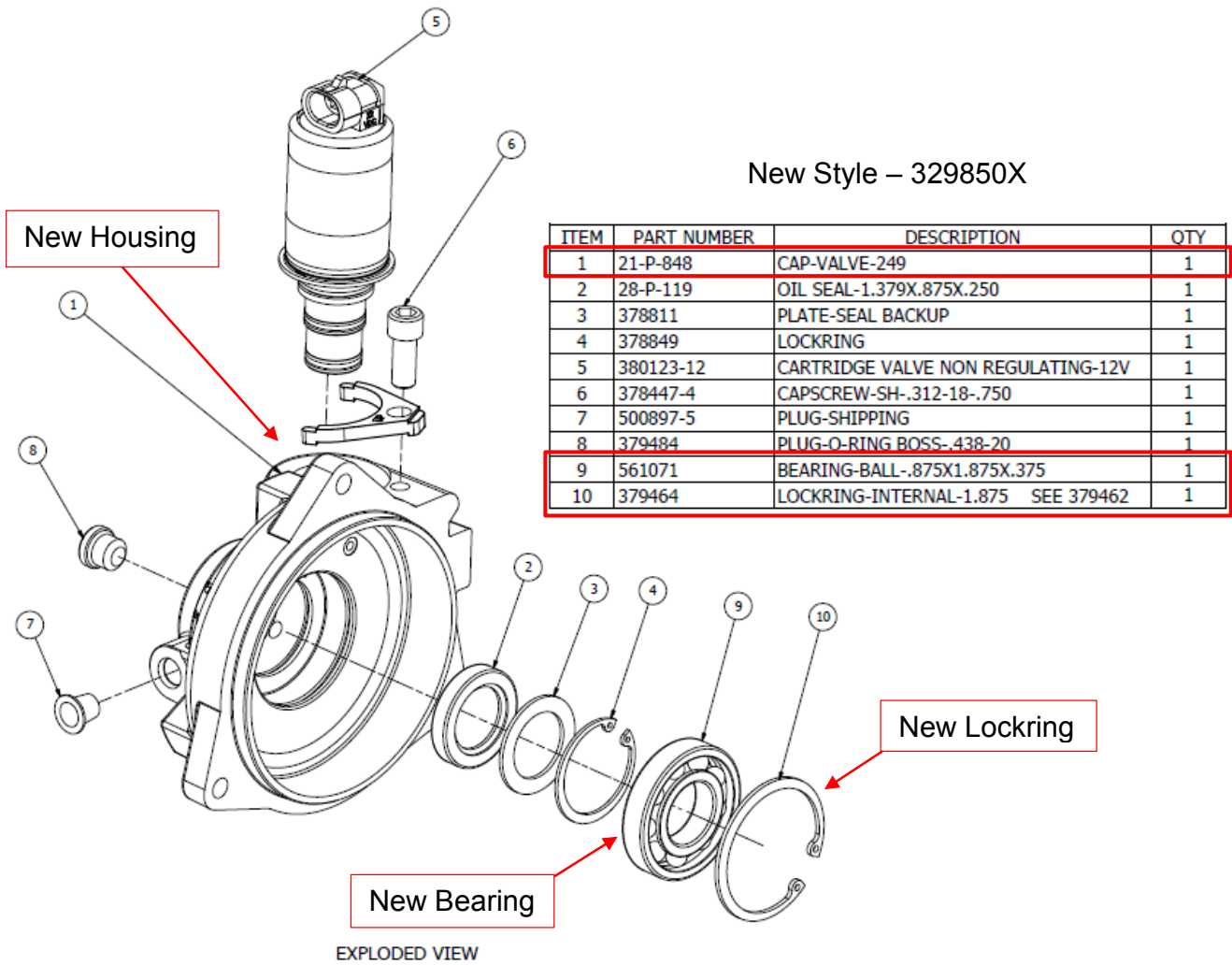


EXPLODED VIEW

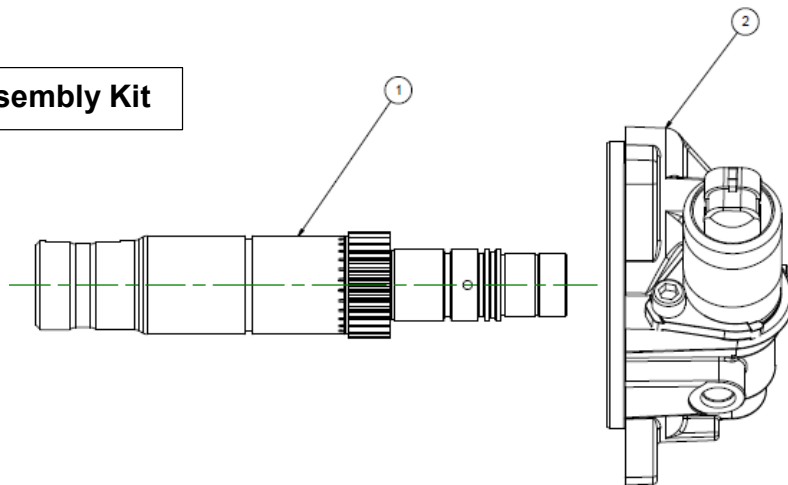
Old Style - 329614X

ITEM	PART NUMBER	DESCRIPTION	QTY
1	21-P-720	CAP-VALVE-248	1
2	28-P-119	OIL SEAL-1.379X.875X.250	1
3	378811	PLATE-SEAL BACKUP	1
4	378849	LOCKRING	1
5	380123-12	CARTRIDGE VALVE NON REGULATING-12V	1
6	378447-4	CAPSCREW-SH-.312-18-.750	1
7	500897-5	PLUG-SHIPPING	1
8	379484	PLUG-O-RING BOSS-.438-20	1
9	561031	BEARING-BALL-.9843X1.8504X.4724	1
11	380124	BRACKET-CARTRIDGE VALVE	1

New Style – 329850X



Shaft and Valve Assembly Kit



KIT	OPTION	ITEM	PART NUMBER	DESCRIPTION	QTY	REPLACES
329875-1X	XD	1	3-P-1150	SHAFT-OUTPUT-1.25 KEYED-249	1 OR	3-P-1002
329875-2X	XP	1	3-P-1151	SHAFT-OUTPUT-7/8-13T-249	1 OR	3-P-1003
329875-3X	AD	1	3-P-1152	SHAFT-OUTPUT-3/4-11T-249	1 OR	3-P-1004
329875-4X	XE	1	3-P-1153	SHAFT-OUTPUT-5/8-9T-249	1	3-P-1005
	ALL	2	329850X	ASSY-VALVE CAP-249	1	329614X

PART NUMBERS

Valve Cap Assembly	Valve Cap Assembly		
	Old PN	New PN	Description
	329614X	329850X	249 VALVE CAP ASSY
New Parts in Valve cap Assembly			
	Old PN	New PN	Description
	561031	561071	SHAFT BEARING
	N/A	379464	LOCKRING-INTERNAL-1.875

Shaft & Assemblies	Shaft and Clutch Assembly		
	Old PN	New PN	Description
	329604-1X	329851-1X	ASSY-DRIVE SHAFT & CLUTCH- XD
	329604-2X	329851-2X	ASSY-DRIVE SHAFT & CLUTCH- XP
	329604-3X	329851-3X	ASSY-DRIVE SHAFT & CLUTCH- AD
329604-4X	329851-4X	ASSY-DRIVE SHAFT & CLUTCH- XE	
New Shaft ONLY			
	Old PN	New PN	Description
	3-P-1002	3-P-1150	SHAFT-OUTPUT-1.25 KEYED-249- XD
	3-P-1003	3-P-1151	SHAFT-OUTPUT-7/8-13T-249- XP
	3-P-1004	3-P-1152	SHAFT-OUTPUT-3/4-11T-249- AD
	3-P-1005	3-P-1153	SHAFT-OUTPUT-5/8-9T-249- XE

If you have questions about this bulletin or other technical questions, contact us at:

US: Chelsea Customer/Technical Services at **1-888-PH4-TRUK** (1-888-744-8785)
 Canada: Parker Hannifin Canada, 1-905-693-3020
 Europe: Parker-Hannifin Europe, +49 (0)371 3937 157



Curtis Dalton
 Product Sales Manager
 Chelsea Products