

New 348 Series

The Chelsea 348 Series P.T.O. is another example of why Chelsea P.T.O. technology is the best in the business. This economical workhorse features a cast iron housing and heavy duty ball bearing on the output shaft, giving it a high torque rating and long service life. Chelsea was the first to provide you with an Air shifted forward and reverse speed P.T.O. Its flexible Air shift design allows you to mount the air shift cylinder in the best position for maximum clearance. Torque rating up to 200 Lbs. ft. makes this one versatile P.T.O. Take advantage of over 65 years of Chelsea P.T.O. technology to increase performance and lower costs.

Markets:

- Oil Field
- Logging

Product Features and Benefits:

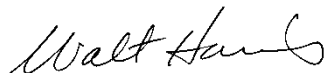
- Single low-speed forward and reverse
- Removable cover plate for adjusting backlash
- Shift options include air and lever
- Variety of input gears to cover most applications
- 8-Bolt Mounting Pad
- Two Year Warranty

See back side of this bulletin for model number designator and specification

Also include with this bulletin is a packet of updated application pages for the 348 Series. Replace the pages in your 2012 Hy25-3000 catalog with the updated pages from the packet.

If you have questions about this bulletin or other technical questions, contact us at:

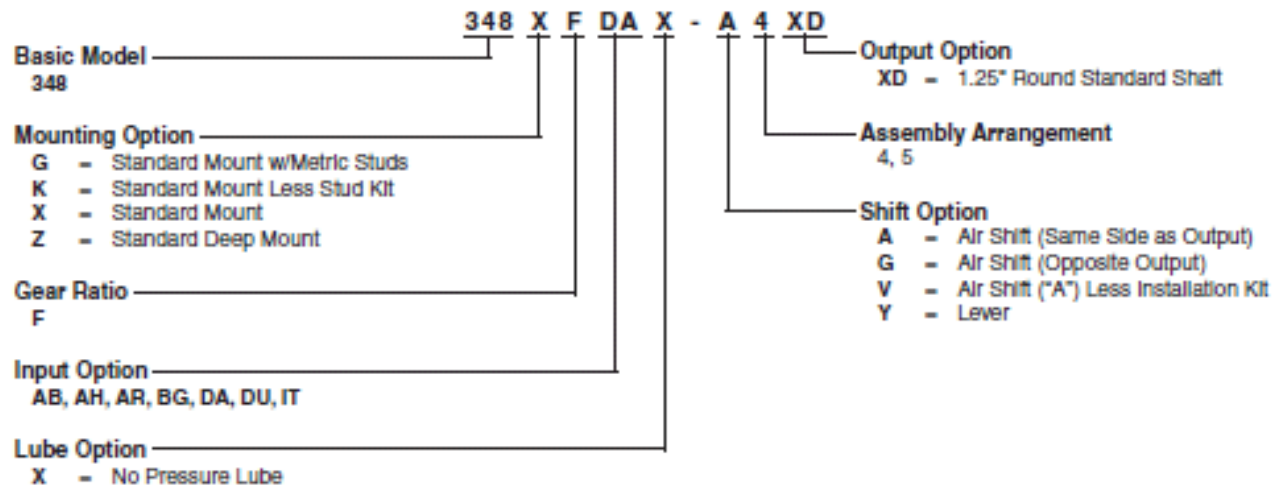
US: Chelsea Customer/Technical Services at **1-888-PH4-TRUK** (1-888-744-8785)
Canada: Parker Hannifin Canada, 1 905-693-3020
Europe: Chelsea Products Europe +44 (01384) 2822777



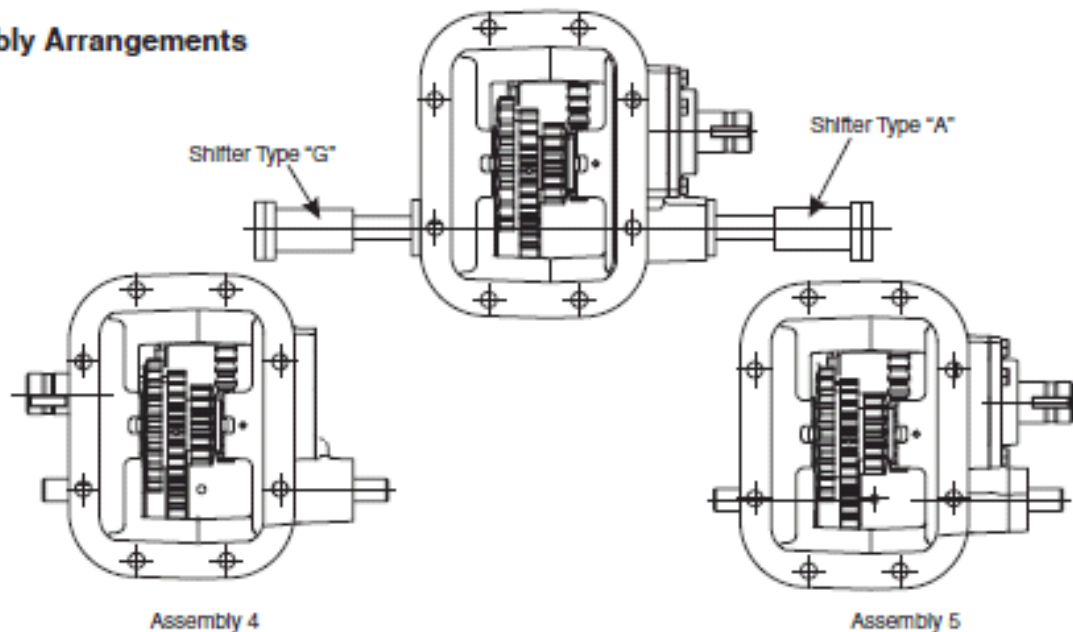
Walt Harris
Product Sales Manager
Chelsea Products

Included with this bulletin: HY25-2348-M1/US, HY25-0178-M1/US, Price Sheet & HY-3000/US-348 Updates

Model Number Designation



Assembly Arrangements



Specifications Chart – 348 Series

	348°F
Standard Output Shaft Size	1-1/4" Round w/key
Intermittent Torque Rating (Lbs. ft.)	200
Intermittent Torque Rating (N.m.)	271
Horsepower Rating for Continuous Service	
At 500 R.P.M. of Output Shaft (HP)	19
At 1000 R.P.M. of Output Shaft (HP)	38
At 500 R.P.M. of Output Shaft (Kw)	14
At 1000 R.P.M. of Output Shaft (Kw)	28
Approximate Weight:	32 lbs. [15 kg]