

Chelsea® 100 Series

One Gear Mechanical P.T.O.



Overview:

The Chelsea 100 Series P.T.O. is another example of why Chelsea P.T.O. technology is the best in the business. This economical workhorse features a cast iron housing. Chelsea's single gear P.T.O. designs have been a mainstay of our products since 1945. Chelsea was the first to provide you with an integrated air shift option on a single gear P.T.O. The 100 Series has 11 shift options, 125 Lbs. ft. of torque capacity and was the original kit P.T.O. All this makes this one versatile P.T.O. Take advantage of over 65 years of Chelsea P.T.O. technology to increase performance and lower costs.

- Small Dump Trucks
- Tow and Recovery
- Aerial Devices



Product Features and Benefits:

Contact Information:

Parker Hannifin Corporation
Chelsea Products Division
8225 Hacks Cross Road
Olive Branch, MS 38654 USA

Phone: 1-888-PH4-TRUK
(1-888-744-8785)

Fax: 1-662-895-1069
chelseacustserv@parker.com

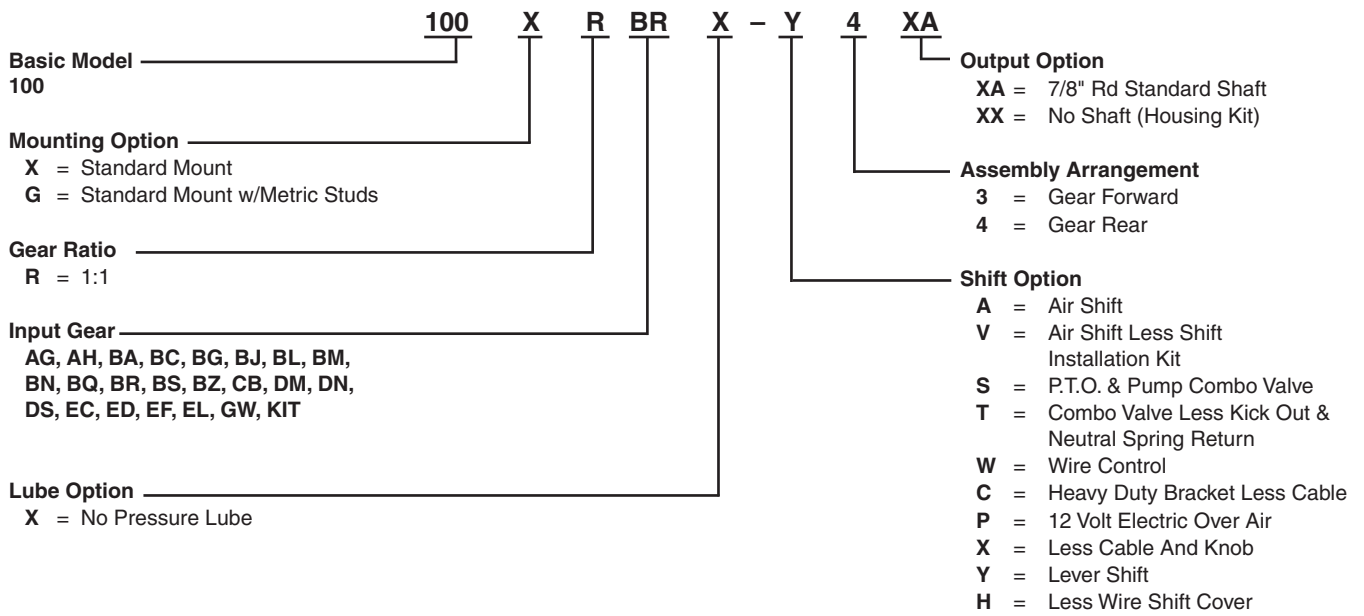
www.parker.com/chelsea

- Single speed, low torque applications
- Compact size for tight areas
- Sturdy cast iron housing
- Available for most transmissions
- Eleven (11) Shift options
- Two Year Warranty

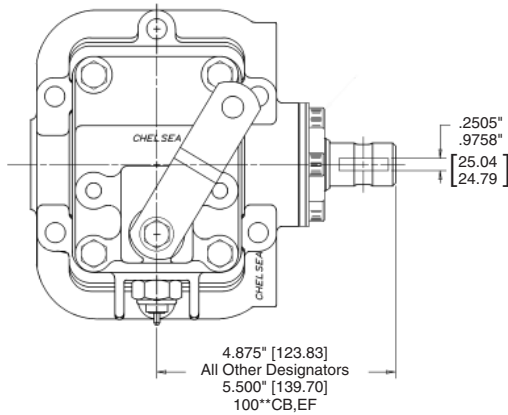


ENGINEERING YOUR SUCCESS.

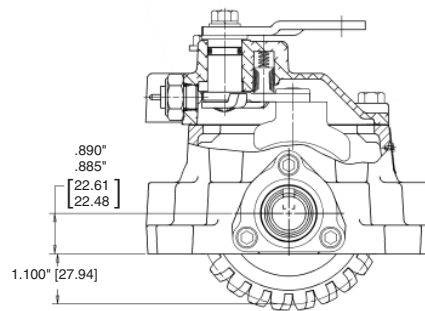
Model Number Designator



CABLE CONTROL



AIR & LEVER CONTROL



Specifications Chart – 100 Series

	100*R
Standard Output Shaft Size	7/8" Round
Intermittent Torque Rating (Lbs. ft.)	125
Intermittent Torque Rating (N.m.)	169
Horsepower Rating for Intermittent Service	
At 500 R.P.M. of Output Shaft (HP)	12
At 1000 R.P.M. of Output Shaft (HP)	24
At 500 R.P.M. of Output Shaft (Kw)	9
At 1000 R.P.M. of Output Shaft (Kw)	18
Approximate Weight:	10 lbs. [4.5 kg]