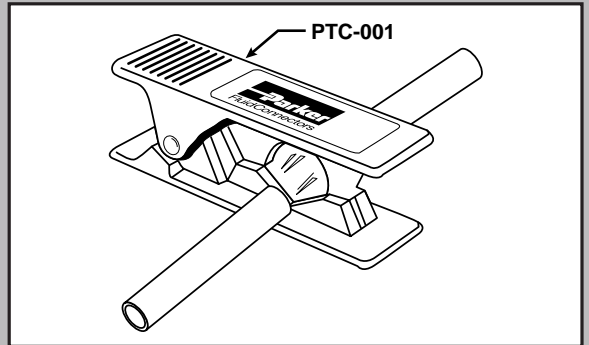
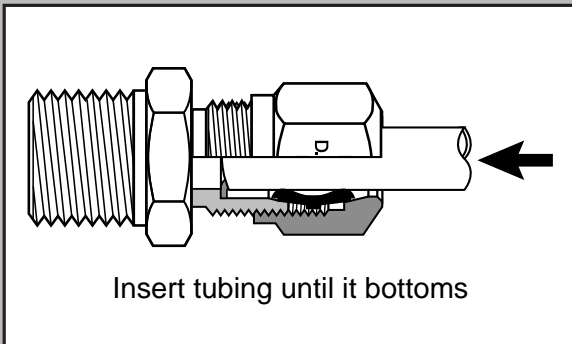


1. Cut tubing squarely—maximum of 15° angle allowable.
- Use of Parker tube cutter PTC-001 is recommended.



2. Check that port or mating part is clean and free of debris.



3. Insert tubing into fitting until it bottoms on seat.
4. Tighten nut with wrench until one thread remains visible on the fitting body; (this will allow for a number of remakes) or, the nut should be screwed down finger tight, then the wrench-tightened as indicated in the following table.

TUBE SIZE	ADDITIONAL NUMBER OF TURNS FROM HAND-TIGHT
1/4	3
3/8 & 1/2	4
5/8 & 3/4	3-1/2

