

- vent applications

- Direct connection to tank boss allows housing to be self-supportive
- Easy assembly and maintenance
- STANDARD product
  - Standard surface finish and tri-clamp connection
- PLUS product
  - Available as STANDARD or for ATEX applications
  - Standard, sanitary and sanitary electropolished surface finishes available
  - Connection choices

(Also see HSVLP L-Port Datasheet)



## Specification

### STANDARD Range

#### Materials of Construction

- Housing: 316L Stainless Steel
- Seals: Silicone FDA
- Clamps: 304 Stainless Steel

#### Surface Finish

- Internal: As welded
- External: Polished 0.8 µm (32 µIn Ra)

*All finishes pickled & passivated.*

### PLUS Range

#### Materials of Construction

- Housing: 316L Stainless Steel
- Seals: EPDM FDA  
PTFE FDA  
Silicone FDA  
Viton™ / FKM FDA
- Clamps: 304 Stainless Steel

*Note: Seal used only to position bowl clamp arrangement.*

#### Standard Surface Finish

- Internal: As welded  
Pickled and Passivated
- External: Polished 0.8 µm Ra (32 µIn Ra)

#### Sanitary Finish

- Internal: Polished 0.4 µm Ra (16 µIn Ra)
- External: Polished 0.25 µm Ra (10 µIn Ra)

#### Sanitary Electropolished Finish

- Internal: Polished 0.4 µm Ra (16 µIn Ra) and Electropolished
- External: Polished 0.25 µm Ra (10 µIn Ra)

### Welding

All assembly welds are full penetration. All welds are crevice and undercut free. Weld finish and detail drawings available upon request.

### Certification

Supplied as standard with vessel inspection certificate

### Material Test Certification

EN10204 3.1 supplied upon request.

### Recommended Operation Guidelines Sizing

Sizing vent vessels particularly for vacuum sensitive tanks can require specialist advice. It is important that VENT housings are sized on maximum gas flow capacity under actual operation conditions.

### Vacuum Protection

Where a tank is vacuum sensitive, there is a risk of tank collapse. In such cases the fitting of an appropriately rated bursting disc (or similar) and, if necessary a pressure relief valve, is highly recommended.

### Approvals

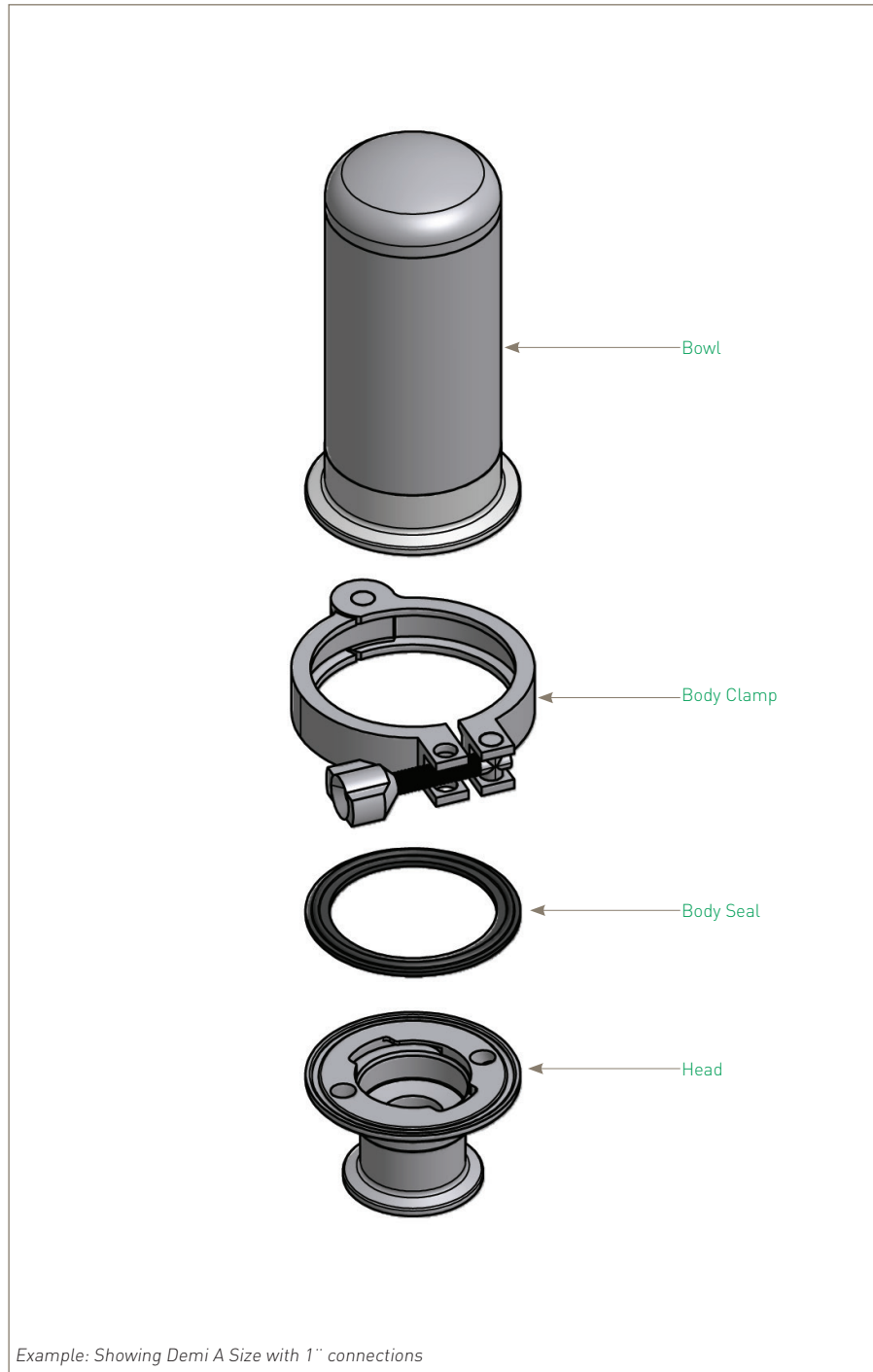
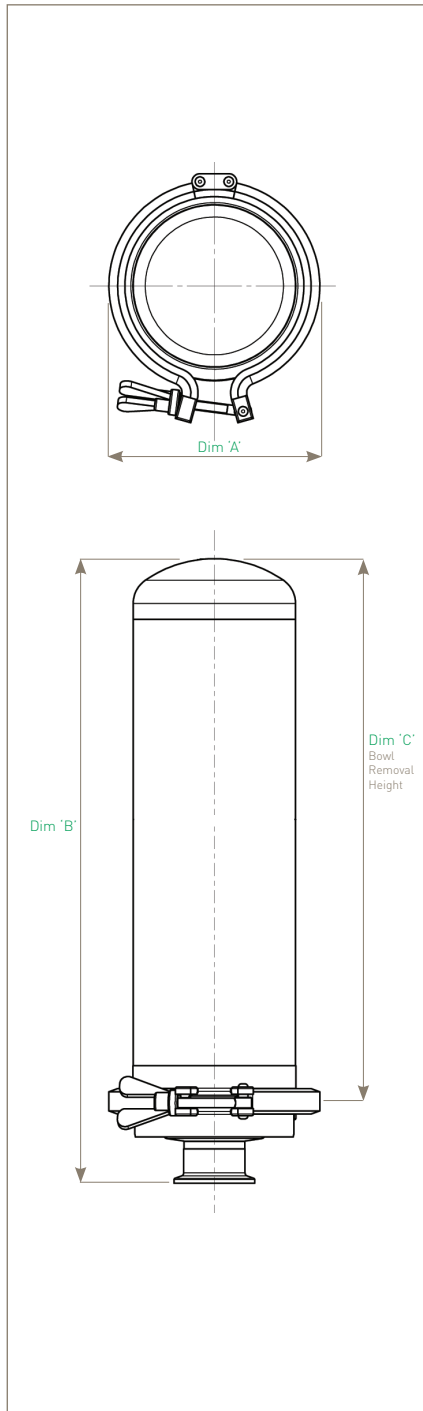
EAC 010-2011, (No. TC N RU D-GB. AH01.B.00511)  
Approval type: Import Certificate, TRCU Pressure Equipment (available on request)



## Physical Characteristics

Bowl Height	Dimensions (mm)			Typical Weight
	'A'	'B'	'C'	
A Size 125 mm [5"]	75 mm [2.9"]	195 mm [7.7"]	130 mm [5.1"]	1.0 Kg [2.2lbs]
B Size 65 mm [2 1/2"]	75 mm [2.9"]	140 mm [5.5"]	70 mm [2.8"]	0.9 Kg [1.9lbs]
125 mm [5"]	132 mm [5.2"]	242 mm [9.5"]	194 mm [7.6"]	2.2 Kg [4.8 lbs]
250 mm [10"]	132 mm [5.2"]	392 mm [15.4"]	313 mm [12.3"]	2.8 Kg [6.1 lbs]
500 mm [20"]	132 mm [5.2"]	642 mm [25.3"]	561 mm [22.1"]	3.8 Kg [8.3 lbs]
750 mm [30"]	132 mm [5.2"]	890 mm [35.0"]	809 mm [31.8"]	4.8 Kg [10.6 lbs]
1000 mm [40"]	132 mm [5.2"]	1138 mm [44.8"]	1057 mm [41.6"]	5.8 Kg [12.8 lbs]

Dimensions shown are based on the STANDARD range. For accurate dimensions, please contact Parker domnick hunter.



Example: Showing Demi A Size with 1" connections

The PLUS product range is available with many options of connections, vents, drains, surface finish, seals classification, etc. Please see product coding.

Note: All housings are full vacuum rated.

## STANDARD Range - K to 20"



Code   Vessel Class	Code   Length (Nominal)	Code   Connection Size	Code   Standard	Code   Cartridge	Code   Seal
DH Vent Housing	K 5" (125 mm) 1 10" (250 mm) 2 20" (500 mm)	Y 1 1/2" (38.1 mm)	T Tri-Clamp®	C 226	S Silicone

## STANDARD Range - Demi A & B



Code   Vessel Class	Code   Length (Nominal)	Code   Connection Size	Code   Standard	Code   Cartridge	Code   Seal
DH Vent Housing	A 5" (125 mm) B 2 1/2" (65 mm)	B 1" (25.4 mm)	T Tri-Clamp®	T 126	S Silicone

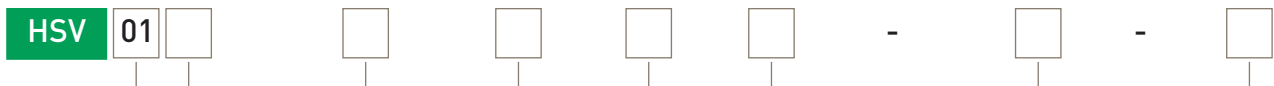
## PLUS Range - K to 40"



Code   Vessel Class	Code   Length (Nominal)	Code   Connection Size	Code   Standard	Code   Cartridge	Code   Seal	Code   Surface Finish	Internal	External	Code   Tagged
DH Standard AT ATEX	K 5" (125 mm) 1 10" (250 mm) 2 20" (500 mm) 3 30" (750 mm) 4 40" (1000 mm)	C 2" (50.8 mm) Y 1 1/2" (38.1 mm)	B BSPP / ISO 228 D DIN11851(M) F ANSI RF150 L EN 1092-1 PN16 N NPT T Tri-Clamp® W Butt Weld BS4825 Pt. 1	C 226	E EPDM P PTFE S Silicone V Viton™ / FKM	B Sanitary I Standard P Sanitary Electropolished	0.4 µm As Welded 0.4 µm EP	0.25 µm 0.8 µm 0.25 µm	T Yes X No

For Tagged Options customer identification numbers required at time of ordering

## PLUS Range - Demi A & B



Code   Vessel Class	Code   Length (Nominal)	Code   Connection Size	Code   Standard	Code   Cartridge	Code   Seal	Code   Surface Finish	Internal	External	Code   Tagged
DH Standard AT ATEX	A 5" (125 mm) B 2 1/2" (65 mm)	B 1" (25.4 mm)	B BSPP / ISO 228 D DIN11851(M) F ANSI RF150 L EN1092-1 PN16 N NPT T Tri-Clamp®	T 126	E EPDM P PTFE S Silicone V Viton™ / FKM	B Sanitary I Standard P Sanitary Electropolished	0.4 µm As Welded 0.4 µm EP	0.25 µm 0.8 µm 0.25 µm	T Yes X No

For Tagged Options customer identification numbers required at time of ordering

Stäubli™ is a trademark of Stäubli AG.

Tri-Clamp® is a trademark of Alfa-Laval, Inc.

Viton™ is a registered trademark of DuPont Performance Elastomers L.L.C..

Note: All Tri-Clamp® connections conform to BS4825 Pt. 3

Parker donmick hunter has a continuous policy of product development and although the Company reserves the right to change specifications, it attempts to keep customers informed of any alterations. This publication is for general information only and customers are requested to contact our Process Filtration Sales Department for detailed information and advice on a products suitability for specific applications. All products are sold subject to the company's Standard conditions of sale.