

VSL Housings

- sanitary liquid

- Multi-element sanitary liquid housing
- Designed specifically for the pharmaceutical industry
- Electropolished internal finish
- Can be fully dismantled for cleaning
- ASME U-Stamp option available as SPECIAL Housings



Specification

Materials of Construction

- Housing: 316L Stainless Steel
- Seals: EPDM

Surface Finish

- Internal: Electropolished 0.4 µm Ra
- External: Polished 0.25 µm Ra

Directives

Housings designed in accordance with the European Council Pressure Equipment Directive (PED).
ATEX (where applicable).

Design Basis

ASME VIII Division 1.

Approvals

EAC 010-2011, (No. TC N RU D-GB. AИ01.B.00512)
Approval type: Import Certificate, TR CU
Pressure Equipment (available on request)



Custom Spare Design / Specials

Parker domnick hunter offers a specialist and fabrication service allowing individual customer system specifications to be met, for example ASME U Stamp, ATEX.

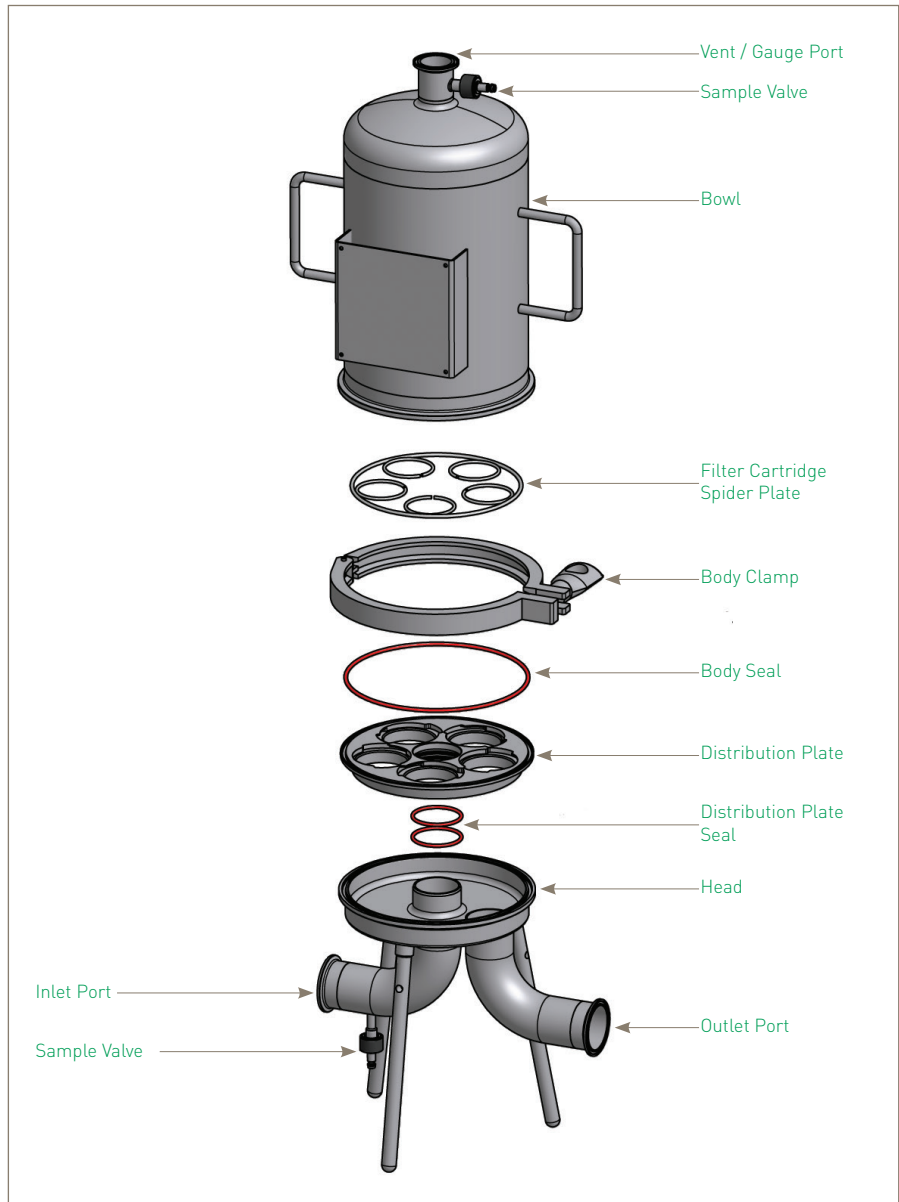
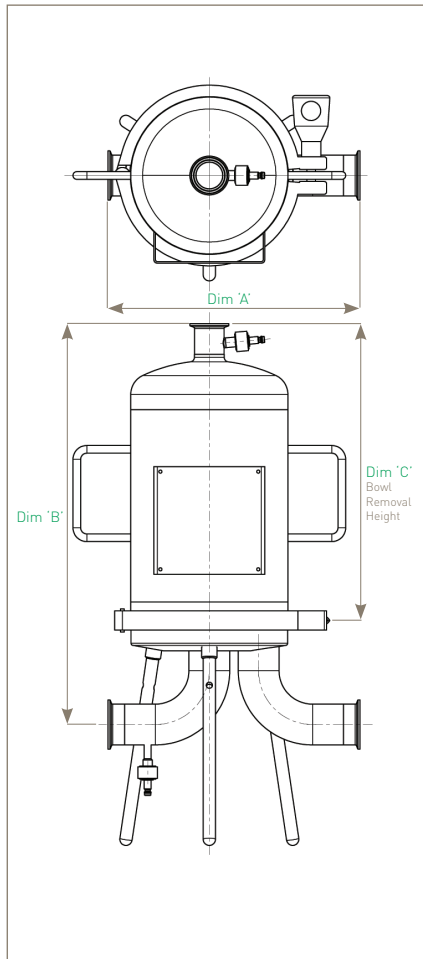
Working Condition PED			Maximum Pressure		
Fluid Group	State	Temperature	031/051	032/052	033/053
Non Dangerous	Liquids	80 °C (176 °F)	7 barg (101 psig)	7 barg (101 psig)	7 barg (101 psig)
Non Dangerous	Gas / Vapour	144 °C (297 °F)	3 barg (43 psig)	3 barg (43 psig)	3 barg (43 psig)
PED Conformity Assessment Category			SEP	CAT I	CAT I
Volume (litres)			10.7	18.5	26.3

Physical Characteristics

Type	Dimensions (mm)			Typical Weight (Kg)
	'A'	'B'	'C'	
10" (250 mm)	271	493	320	18.0
20" (500 mm)	271	743	570	22.0
30" (750 mm)	271	993	820	26.0

Dimensions shown are for a 3 Round VSL, 2" TCF inlet / outlet connections. For the full range of dimensions and weights, please contact Parker donnick hunter.

Note: All housings are full vacuum rated.



Ordering Information

Code Vessel Class	Code N° of Cartridges	Code Length (Nominal)	Code Connection Size	Code Connection Type	Code Connection Standard	Code Connection Type	Code Seal
CE Standard	03 3 05 5	1 10" (250 mm) 2 20" (500 mm) 3 30" (750 mm)	C 2"	T Tri-Clamp®	B BS4825 Pt.3 D DIN 32676	B Sanitary Bleed T Tri-Clamp®	E EPDM P PTFE S Silicone V Viton™/FKM

Note: For accessories, i.e. gauges, please contact Parker donnick hunter - Process Division for full availability.

Viton™ is a registered trademark of DuPont Performance Elastomers L.L.C.

Tri-Clamp® is a registered trademark of Alfa-Laval, Inc.

Note: All Tri-Clamp® Connections conform to BS4825 Pt.3

Parker donnick hunter has a continuous policy of product development and although the Company reserves the right to change specifications, it attempts to keep customers informed of any alterations. This publication is for general information only and customers are requested to contact our Process Filtration Sales Department for detailed information and advice on a products suitability for specific applications. All products are sold subject to the company's Standard conditions of sale.