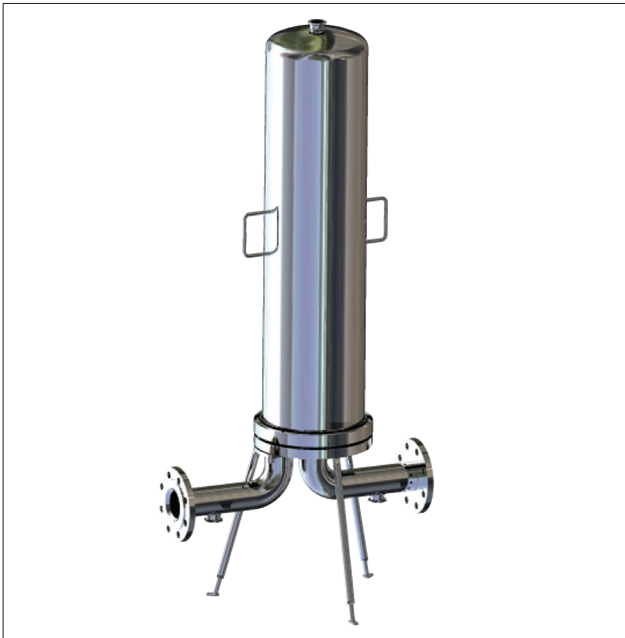


VSH Multi Filter Housings

Beverage



- Multi-element sanitary liquid housing
- Designed specifically for the food and beverage industry
- High quality crevice free construction
- Available in 3 to 30 round versions
- Steam sterilizable

Specification

Materials of Construction

- Housing: 316L Stainless Steel
- Seals: Silicone

Surface Finish

- Internal: Mechanically Polished Ra <0.8 µm
- External: Mechanically Polished

Steam Sterilization

Refer to Parker domnick hunter for individual housing parameters.

Directives

Housings designed in accordance with the European Council Pressure Equipment Directive (PED).

Design Basis

ASME VIII Division 1 (3 & 5 round)
AD Merkkblatt (8-30 round)

Custom Design /Specials

Parker domnick hunter offers a specialist and fabrication service allowing individual customer system specifications to be met.

Note: For 12, 18, 24 and 30 Round options, please contact Parker domnick hunter for detailed technical drawings.

Working Condition PED			Maximum Pressure			
Fluid Group	State	Temperature	031	032	033	034
Dangerous	Liquid	0 - 40 °C (0 - 104 °F)	10 barg (145 psig)	10 barg (145 psig)	10 barg (145 psig)	10 barg (145 psig)
Dangerous	Liquid	150 °C (302 °F)	7.5 barg (109 psig)	7.5 barg (109 psig)	7.5 barg (109 psig)	7.5 barg (109 psig)
Dangerous	Gas / Vapour	0 - 150 °C (0 - 302 °F)	6.8 barg (99 psig)	3.9 barg (57 psig)	2.8 barg (41 psig)	2.1 barg (30.5 psig)
Non Dangerous	Liquid	0 - 40 °C (0 - 104 °F)	10 barg (145 psig)	10 barg (145 psig)	10 barg (145 psig)	10 barg (145 psig)
Non Dangerous	Liquid	150 °C (302 °F)	7.5 barg (109 psig)	7.5 barg (109 psig)	7.5 barg (109 psig)	7.5 barg (109 psig)
Non Dangerous	Gas / Vapour	0 - 40 °C (0 - 104 °F)	10 barg (145 psig)	10 barg (145 psig)	10 barg (145 psig)	10 barg (145 psig)
Non Dangerous	Gas / Vapour	150 °C (302 °F)	7.5 barg (109 psig)	7.5 barg (109 psig)	7.5 barg (109 psig)	7.5 barg (109 psig)
Volume (litres)			7.3	12.6	17.8	23.1
Fluid Group	State	Temperature	051	052	053	054
Dangerous	Liquid	0 - 40 °C (0 - 104 °F)	10 barg (145 psig)	10 barg (145 psig)	10 barg (145 psig)	10 barg (145 psig)
Dangerous	Liquid	150 °C (302 °F)	7.5 barg (109 psig)	7.5 barg (109 psig)	7.5 barg (109 psig)	7.5 barg (109 psig)
Dangerous	Gas / Vapour	0 - 150 °C (0 - 302 °F)	4.5 barg (65 psig)	2.4 barg (35 psig)	1.7 barg (25 psig)	1.3 barg (19 psig)
Non Dangerous	Liquid	0 - 40 °C (0 - 104 °F)	10 barg (145 psig)	10 barg (145 psig)	10 barg (145 psig)	10 barg (145 psig)
Non Dangerous	Liquid	150 °C (302 °F)	7.5 barg (109 psig)	7.5 barg (109 psig)	7.5 barg (109 psig)	7.5 barg (109 psig)
Non Dangerous	Gas / Vapour	0 - 40 °C (0 - 104 °F)	10 barg (145 psig)	9.9 barg (144 psig)	6.8 barg (99 psig)	5.2 barg (75 psig)
Non Dangerous	Gas / Vapour	150 °C (302 °F)	7.5 barg (109 psig)	7.5 barg (109 psig)	6.8 barg (99 psig)	5.2 barg (75 psig)
Volume (litres)			11.0	20.0	29.1	38.2
Fluid Group	State	Temperature	081	082	083	084
Dangerous	Liquid	0 - 40 °C (0 - 104 °F)	10 barg (145 psig)	10 barg (145 psig)	10 barg (145 psig)	10 barg (145 psig)
Dangerous	Liquid	150 °C (302 °F)	7.5 barg (109 psig)	7.5 barg (109 psig)	7.5 barg (109 psig)	7.5 barg (109 psig)
Dangerous	Gas / Vapour	0 - 150 °C (0 - 302 °F)	2.3 barg (33 psig)	1.4 barg (20 psig)	1 barg (14.5 psig)	0.7 barg (10 psig)
Non Dangerous	Liquid	0 - 40 °C (0 - 104 °F)	10 barg (145 psig)	10 barg (145 psig)	10 barg (145 psig)	10 barg (145 psig)
Non Dangerous	Liquid	150 °C (302 °F)	7.5 barg (109 psig)	7.5 barg (109 psig)	7.5 barg (109 psig)	7.5 barg (109 psig)
Non Dangerous	Gas / Vapour	0 - 40 °C (0 - 104 °F)	9.4 barg (136 psig)	5.6 barg (81 psig)	4.0 barg (58 psig)	3.1 barg (45 psig)
Non Dangerous	Gas / Vapour	150 °C (302 °F)	7.5 barg (109 psig)	5.6 barg (81 psig)	4.0 barg (58 psig)	3.1 barg (45 psig)
Volume (litres)			21.3	35.3	49.7	63.9
PED Conformity Assessment Category			CAT I	CAT I	CAT I	CAT I

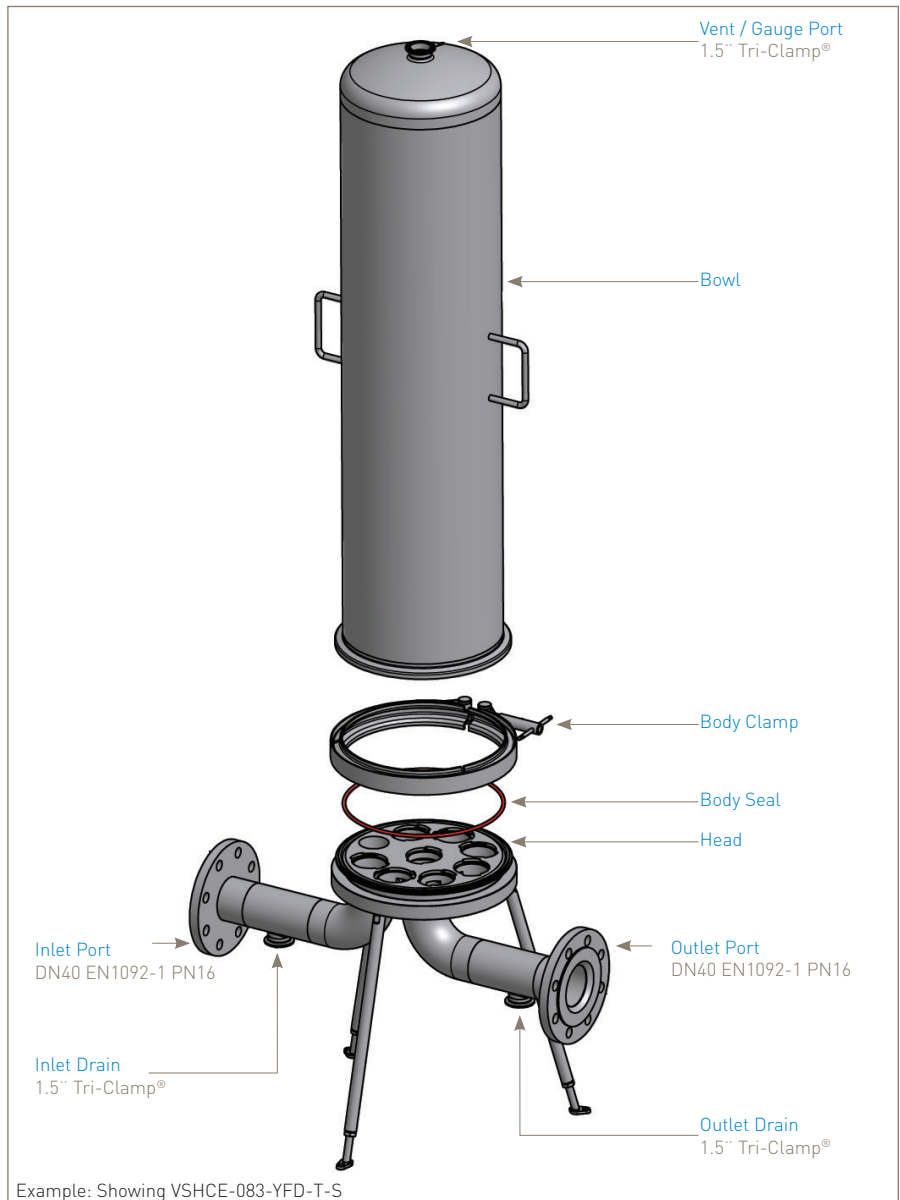
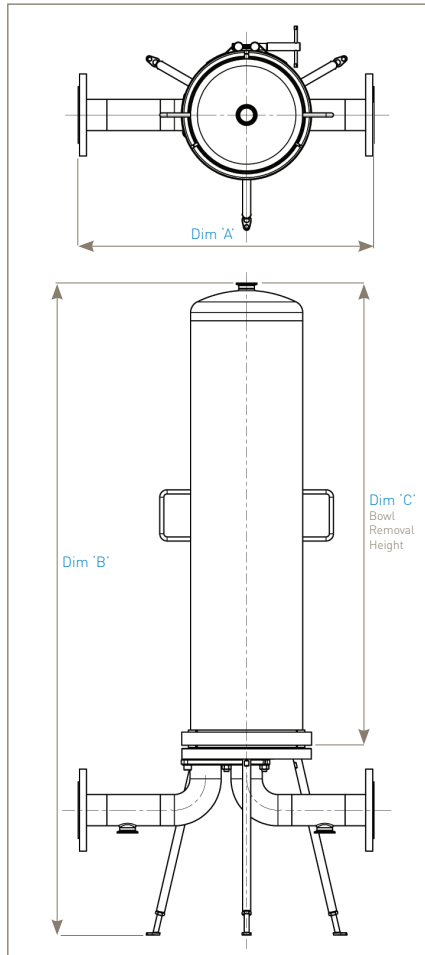
VSH Multi Filter Housings Beverage

Physical Characteristics

Type	Dimensions (mm)			Typical Weight (Kg)
	'A'	'B'	'C'	
10" (250 mm)	606	840	290	27.0
20" (500 mm)	606	1060	540	30.0
30" (750 mm)	606	1310	790	33.0
40" (1000 mm)	606	1560	1040	36.0

Dimensions shown are for an 8 Round VSH, DN40 EN1092-1 PN16 inlet / outlet connections. For the full range of dimensions and weights, please contact Parker domnick hunter.

Note: All housings are full vacuum rated.



Ordering Information

Code Vessel Class		Code N° of Cartridges		Code Length (Nominal)		Code Connection Size		Code Connection Type		Code Connection Standard		Code Vent / Drain Conn. Type		Code Seal	
CE	Standard	03	3	1	10" (250 mm)	B	1"	D*	DIN Male	A	NPT / ANSI	T	Tri-Clamp®	E	EPDM
		05	5	2	20" (500 mm)	Y	1.5"	F*	Flanged	B	BS4825			S	Silicone
		08	8	3	30" (750 mm)	C	2"	M	SMS Male	D	DIN			V	Viton™/FKM
		12	12	4	40" (1000 mm)	X	2.5"	R	RJT Male	I	EN1092-1 PN16				
		18	18			D	3"	T	Tri-Clamp®						
		24	24			E	4"	W	Butt Weld						
		30	30												

N° of Cartridges	Connection Size Availability				
	1.5"	2"	2.5"	3"	4"
03	✓				
05	✓	✓			
08	✓	✓	✓		
12				✓	✓
18				✓	✓
24				✓	✓
30				✓	✓

*Check flange size code to ensure correct item is supplied.

Note: 3, 5 and 8 Round housings available with 10", 20", 30" and 40" bowls
12, 18, 24 and 30 Round housings available with 20" and 30" bowls only

Tri-Clamp® is a trademark of Alfa-Laval, Inc.

Viton™ is a registered trademark of DuPont Performance Elastomers L.L.C.

Tri-Clamp® connections conform to BS4825 Pt.3

RJT Connections conform to BS4825 Pt. 5

Weld Connections conform to BS4825 Pt. 1

Note: For accessories, i.e. gauges, please contact Parker domnick hunter - Process Filtration for full availability.

Parker domnick hunter has a continuous policy of product development and although the Company reserves the right to change specifications, it attempts to keep customers informed of any alterations. This publication is for general information only and customers are requested to contact our Process Filtration Sales Department for detailed information and advice on a products suitability for specific applications. All products are sold subject to the company's standard conditions of sale.

DS_FBH_04_04/16 Rev. 1C