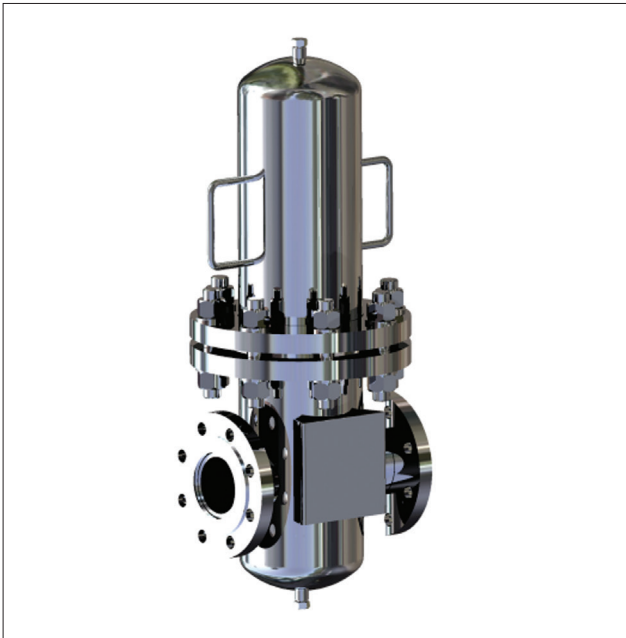


VIS Filter Housings

High Flow Steam



- Specifically designed to maximize flow rates and minimize pressure drop
- Compatible with JUMBO element to maximize steam capacity
- Single and Multi Round JUMBO element options available
- Custom design service available, includes options for
 - ATEX Compliance
 - ASME U-stamp

Specification

STANDARD Range Materials of Construction

Housing: 316L Stainless Steel
Seals: EPDM FDA

Surface Finish

Internal: Inside of outlet and distribution box to be mechanically polished 0.8 μ m Ra. Pickled and Passivated.

External: Grit blast 5 μ m Ra mean

Maximum Allowable Working Pressure (MAWP)

7 barg (101.5 psig)

Maximum Allowable Working Temperature (MAWT)

170.5°C (339°F)

Directive

Housings designed in accordance with the European Council Pressure Equipment Directive (PED).

Design Basis

ASME VIII Division 1.

Custom Design / Specials

Parker domnick hunter offers a specialist design and fabrication service allowing individual customer system specification to be met.

Approvals

EAC 010-2011, (No. TC N RU D-GB. AИ01.B.00511)

EAC 032-2013, (No. RU C-GB.AИ01.B.00094)

Approval type: Import Certificate, TR CU Pressure Equipment (available on request)

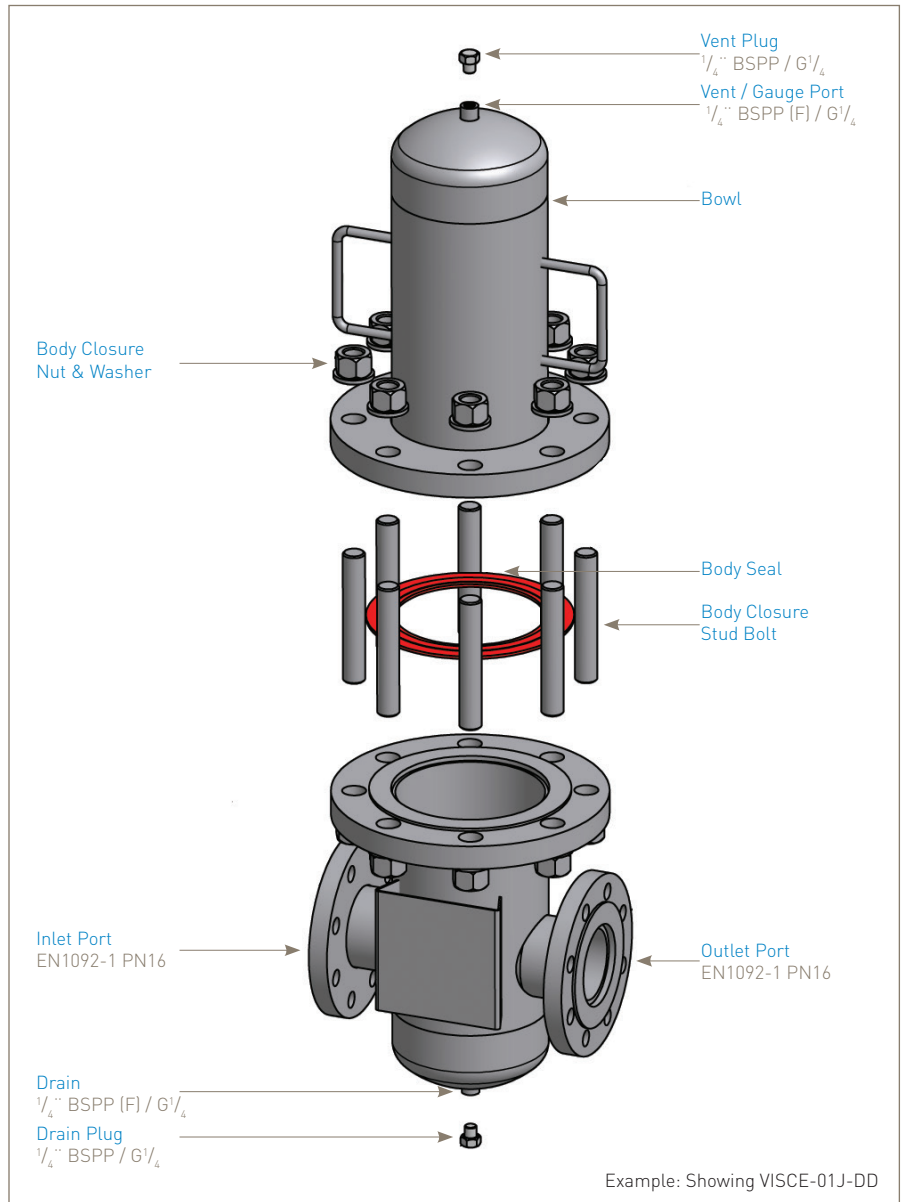
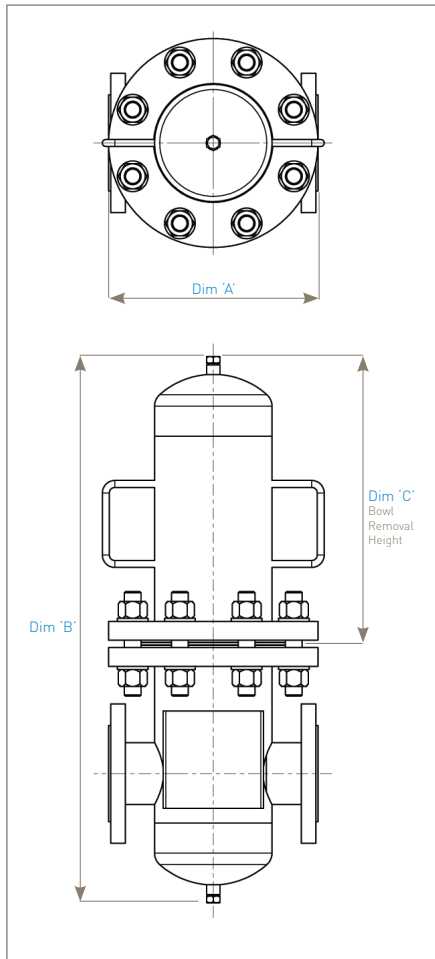


Physical Characteristics

Type	Dimensions (mm)			Typical Weight (Kg)
	'A'	'B'	'C'	
VISCE-01J-DD	300	763	310	30.0
VISCE-01J-ED	330	895	140	50.0
VISCE-3J-DD	515	1049	410	100.0
VISCE-3J-ED	700	1237	490	150.0

For the full range of dimensions and weights, please contact Parker domnick hunter.

Note: All housings are full vacuum rated.



Ordering Information

Code	Vessel Class	Code	N° of Cartridges	Code	Length (Nominal)	Code	Connection Size	Code	Connection Type
CE	Standard	01	1	J	Jumbo	D*	3"	D	EN1092-1 PN16
		03	3			E*	4"	A	ANSI cl. 150 Flange
						G**	6"		
						H**	8"		

* Single housings only
** Multi Round housings only

Note: For accessories, i.e. gauges, please contact Parker domnick hunter - Process Division for full availability.