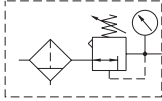
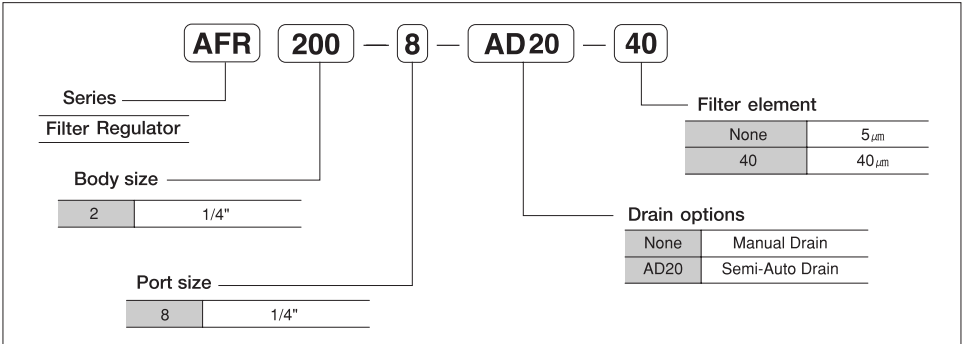


Filter-Regulator AFR200 Series

Symbol

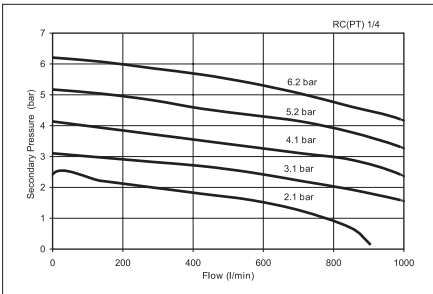


ORDER KEY



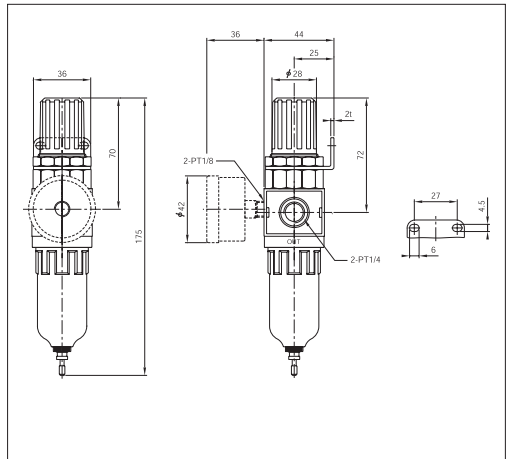
Model No	Unit	AFR200
Port size		Rc 1/4"
Proof Pressure	MPa (bar)	15.0 Bar
Max Pressure	MPa (bar)	10.0 Bar
Adjusting Pressure range	MPa (bar)	0.5 ~ 8.5 Bar
Temperature range	°C	0 ~ 60
Filter element	μ m	5 (Option : 40)
Construction		Relieving

Flow Characters



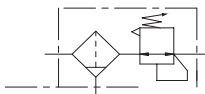
Dimensions

(Unit : mm)



Filter-Regulator AFR320, AFR420 Series

Symbol



ORDER KEY

AFR - 320 - 10 - AD41 - 40

Series
Filter-Regulator

Body size

320	3/8"
420	1/2"

Port size

8	1/4"	AU320
10	3/8"	
15	1/2"	AU420

Filter element

None	5 μ m
40	40 μ m

Drain options

None	Manual Drain
AD41	Auto Drain

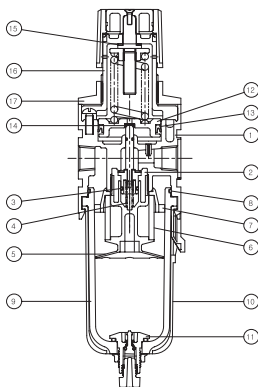
Specifications

Model No	Unit	AFR320	AFR420
Port Size		Rc(PT) 1/4", 3/8"	Rc(PT) 1/2"
Proof pressure	MPa (Bar)	1.5 (15.0)	
Max supply pressure	MPa (Bar)	1.0 (10.0)	
Adjusting pressure range	MPa (Bar)	0.05~0.85 (0.5~8.5)	
Temperature range	°C	0~60	
Filter element	μ m	5	
Construciton		Relieving	
Weight	g	546	900

Component

No.	Description	Material
1	Body	Aluminium
2	Valve Ass'y	Bronze / NBR
3	Valve O-Ring	NBR
4	Valve Spring	SUS
5	Baffle	ABS
6	Element	ABS
7	Defletor	ABS
8	Bowl O-Ring	NBR
9	Bowl	ABS
10	Bowl Guide	ABS
11	Prain Ass'y	ABS
12	Piston Ass'y	ABS
13	Piston packing	NBR
14	Valve seat	NBR
15	Liner	ABS
16	Bonnet	ABS
17	Nut	ABS

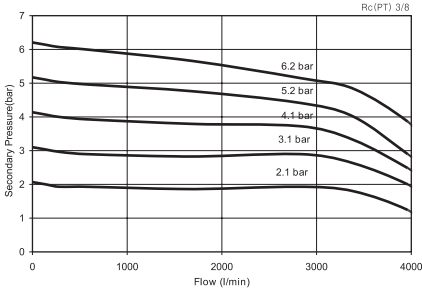
Constructions



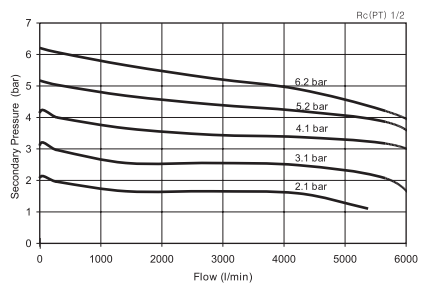
AFR320, AFR420 Series

Flow Chart

AFR320

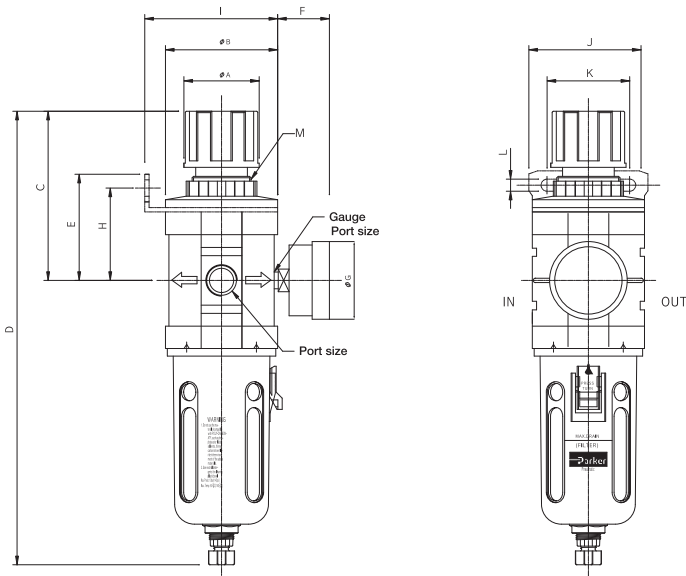


AFR420



Dimensions

(Unit : mm)



Model No	Gauge port size Rc(PT)	Port size Rc(PT)	ϕA	ϕB	C	D	Mounting Bracket								M
							E	F	G	H	I	J	K	L	
AFR320	1/8	1/4, 3/8	42	65	96	246	61.5	30	45	53.5	77	69	48	7	M36×P1.5
AFR420	1/4	1/2	50	80	110	279	65	35	54	57	94.5	84	63	7	M42×P1.5