

# Cleveland

Wheels & Brakes

## Parker Hannifin Corporation

Aircraft Wheel & Brake  
1160 Center Road  
Avon, Ohio 44011 USA  
1-800-BRAKING (272-5464)  
440-937-1315 • FAX 440-937-5409

# SERVICE BULLETIN

## MAIN WHEEL ASSEMBLY 40-424 – P/N 157-02100 FAIRING – INSPECT/REWORK OR REPLACE

**EFFECTIVITY:** Parker Hannifin Main Landing Gear Wheel Assembly Model Number 40-424 Fairing P/N 157-02100 and fastener P/N 102-33400.

**APPLICABILITY:** Pilatus Aircraft LTD., aircraft models PC-12, PC-12/45, PC-12/47, and PC-12/47E, equipped with Parker Hannifin, Aircraft Wheel & Brake, Main Wheel Assemblies P/N 40-424 (ref. conversion kit 199-241).

**REASON:** Parker Hannifin has received reports that indicate that the P/N 157-02100 fairing may develop fatigue cracks adjacent to the mounting screws.

**DESCRIPTION:** This document provides the necessary instructions to inspect, remove, and rework or replace the P/N 157-02100 fairing and to replace the applicable attachment fasteners with new mounting hardware.

Contact Parker Hannifin Aircraft Wheel & Brake Division or Pilatus Business Aircraft, Broomfield, Colorado, for information on how to obtain a new fairing and fairing attachment hardware.

**COMPLIANCE:** **Mandatory** - Perform accomplishment instructions at next annual inspection, next tire change, or within the next 100 hours after receipt of this service bulletin, whichever occurs first.

**APPROVAL:** The contents of this Service Bulletin are FAA DER approved.

**WEIGHT & BAL.:** Not Applicable

**PUBLICATIONS:** This service bulletin will be incorporated into the Cleveland Wheels & Brakes Component Maintenance Manual, CMM 40-424, at next revision.

**MATERIALS:** Service bulletin kit P/N SB7075-1 contains the following parts to rework one 40-424 wheel assembly to use the new fairing mounting hardware. Contact either Pilatus Business Aircraft, Broomfield, Colorado, or Parker Hannifin, Aircraft Wheel & Brake Service Center for ordering information.

<u>Part Number</u>	<u>Description</u>	<u>Quantity</u>
095-10800	Washer, AN960-10L	5
102-35000	Screws	5
217-01200	Grommet, MS35489-4	5
SB7075	Service Bulletin (copy of this document)	1

## ACCOMPLISHMENT INSTRUCTIONS:

- 1) Within the next 100 Flight Hours, at next annual inspection, or at next tire change, whichever comes first, inspect aircraft or aircraft records to determine if Main Wheel Assembly Model Number 40-424 (ref. Conversion kit 199-241) is installed.
- 2) Aircraft that have been identified as not being equipped with the 40-424 Main Wheel may be returned to service.
- 3) All 40-424 wheels verified as being equipped with the P/N 157-03500 or P/N 157-02100 with  $\varnothing.313$  mounting holes and fairing mounting hardware per kit SB7075-1 may be returned to service (ref. Figure 2 (after)).
- 4) For aircraft that are identified as being equipped with the 40-424 Main Wheel in the pre-SB7075 configuration (ref. Figure 2 (before)), remove the five fasteners which attach the fairing to the outboard wheel half, and measure wheel assembly fairing attachment fastener through holes (ref. Figure 1).

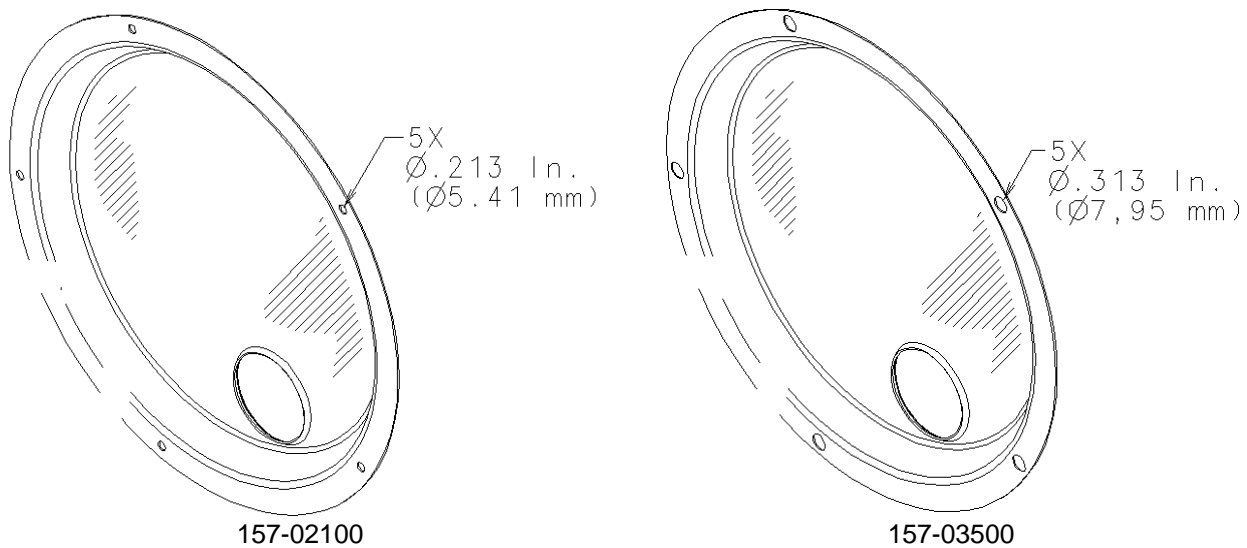


Figure 1

- 5) If inspection indicates that the 157-02100 fairing is installed, contact Pilatus Business Aircraft, Broomfield, Colorado, or Parker Hannifin, Aircraft Wheel & Brake Service Center to obtain fairing mounting hardware kit SB7075-1 listed in MATERIALS Section of this Service Bulletin.



# SERVICE BULLETIN

- 6) Using penetrant per Table 1 herein, examine fairing P/N 157-02100 for cracks. Fairings (P/N 157-02100) that are free from cracks may be reworked into the P/N 157-03500 configuration by enlarging the five mounting holes to  $\varnothing.313 +.005/-.002$  inches (ref. Figure 1). Replace all fairings that show evidence of cracks with new P/N 157-03500 fairings; contact Pilatus Business Aircraft, Broomfield, Colorado, or Parker Hannifin Aircraft Wheel & Brake Service Center for warranty replacement information.
- 7) Install Five Grommets (P/N 217-01200) Into Wheel Cover (P/N 157-03500 or P/N 157-02100 with  $\varnothing.313$  mounting holes). Apply MIL-T-83483 anti-seize to end of fasteners and threads of fasteners (102-35000). Install one washer (095-10800) onto each fastener (102-35000) (ref. Figure 2). **Caution: The fairing attachment fastener length is designed such that the fastener will bottom in the wheel before fully compressing the grommet.** Torque fastener (102-35000) to 20-25 In.-Lbs.

Table 1

NOTE: EQUIVALENT SUBSTITUTES MAY BE USED FOR ITEMS LISTED BELOW:			
Type	Penetrant	Developer	Supplier
Fluorescent	Zyglo ZL-60D	Zyglo ZP-4B, ZP-9F, ZP-5B, or SKD-S2	Magnaflux Corp. 3624 West Lake Ave. Glenview, IL 60025 www.magnaflux.com Ph. 847-657-5300 Fax. 847-657-5388 e-mail: <a href="mailto:INFO@magnaflux.com">INFO@magnaflux.com</a>
	Zyglo ZL-2C, with emulsifier/remover ZE-4B	Zyglo ZP-4B, ZP-9F, ZP-5B, ZP-14A or SKD-S2	
Red Dye	Spot Check SKL-WP	Spot Check ZP-5B	Met-L-Chek Company 1639 Euclid Street Santa Monica, CA 90404 www.met-l-chek.com
	Met-L-Chek	Met-L-Chek	



# SERVICE BULLETIN

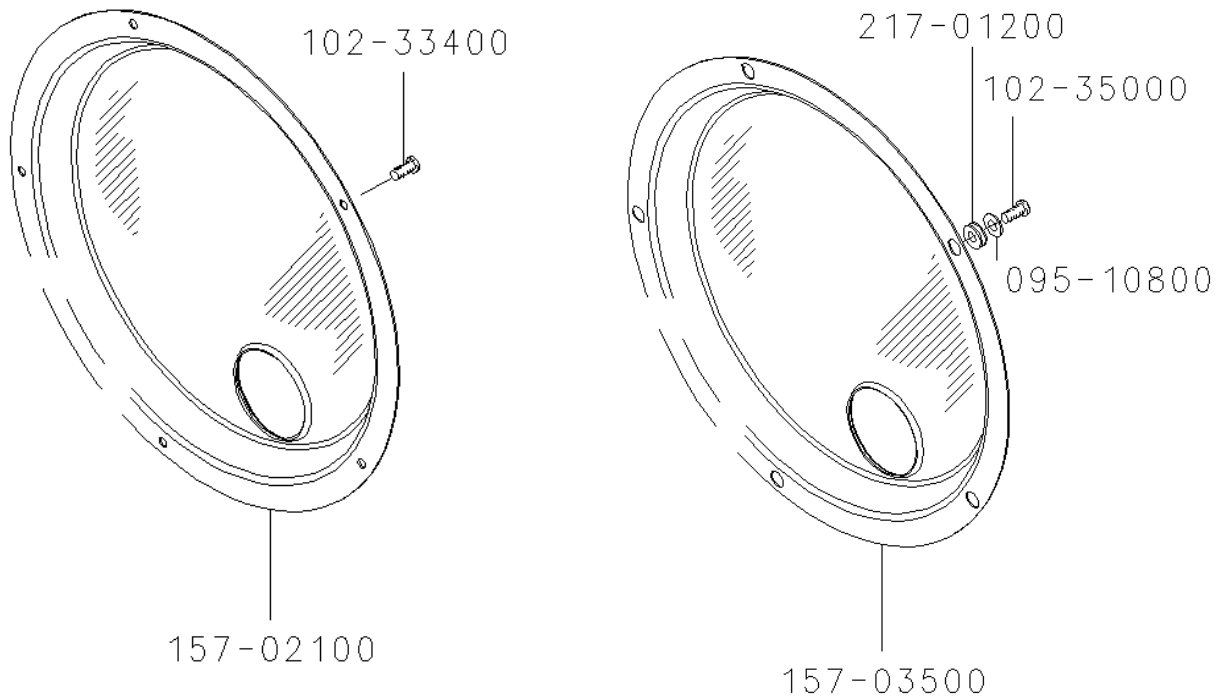


Figure 2 – Before (left) and After (right)

- 8) Return wheel assembly to service.
- 9) Make an appropriate Log Book entry for each maintenance activity performed.