

# Cleveland

Wheels & Brakes

Parker Hannifin Corporation

**Aircraft Wheel & Brake**

1160 Center Road, P.O. Box 158

Avon, Ohio 44011 USA

1-800-BRAKING (272-5464)

216-937-1272 • FAX 216-937-5409

# SERVICE BULLETIN

## INSTALLATION OF 075-17600 TORQUE PLATE SUBASSEMBLY AND 159-03500 DISCS IN PARKER 30-189 BRAKE ASSEMBLY

EFFECTIVITY: All 30-189 brakes that are not to the 30-189A configuration.

REASON: This bulletin provides a procedure for the installation of the 075-17600 Torque Plate Subassembly and 159-03500 Discs in the 30-189 Brake Assembly in place of the 065-15300 Torque Tube, 074-05400 Back Plate Assembly and 159-01300 Discs. This bulletin will allow for the field installation of the Torque Plate Subassembly (P/N 075-17600) and Discs (P/N 159-03500) on a Cessna Model 500, 501, 550 or 551 aircraft for the purpose of improving wear and performance.

COMPLIANCE: **Mandatory** - shall be accomplished during brake overhaul with Kit P/N 199-169.

APPROVALS: Brake Model 30-189A is FAA-TSO approved and is FAA approved for use on Cessna Citation Models as follows:

Cessna 500 and 550.....STC SA1297GL

Cessna 501 and 551.....STC SA1298GL

PROCEDURE: 1. Disassembly Procedures:

Disassemble the 30-189 Brake Assembly in accordance with the following instructions:

- A. Place brake assembly on a clean, flat work surface.
- B. Remove and discard five (5) self-locking nuts (094-13200), washers (095-13600), bolts (103-22801), and washers (095-02801).
- C. Remove and discard 074-05400 Backplate Assembly, 065-15300 Torque Tube and 159-01300 Discs.
- D. Remove and retain one (1) Center Stator Assembly (P/N 242-00700).

### **NOTE:**

It will not be necessary to remove the 073-08200 Pressure Plate Assembly to install the 075-17600 Torque Plate Subassembly.



# SERVICE BULLETIN

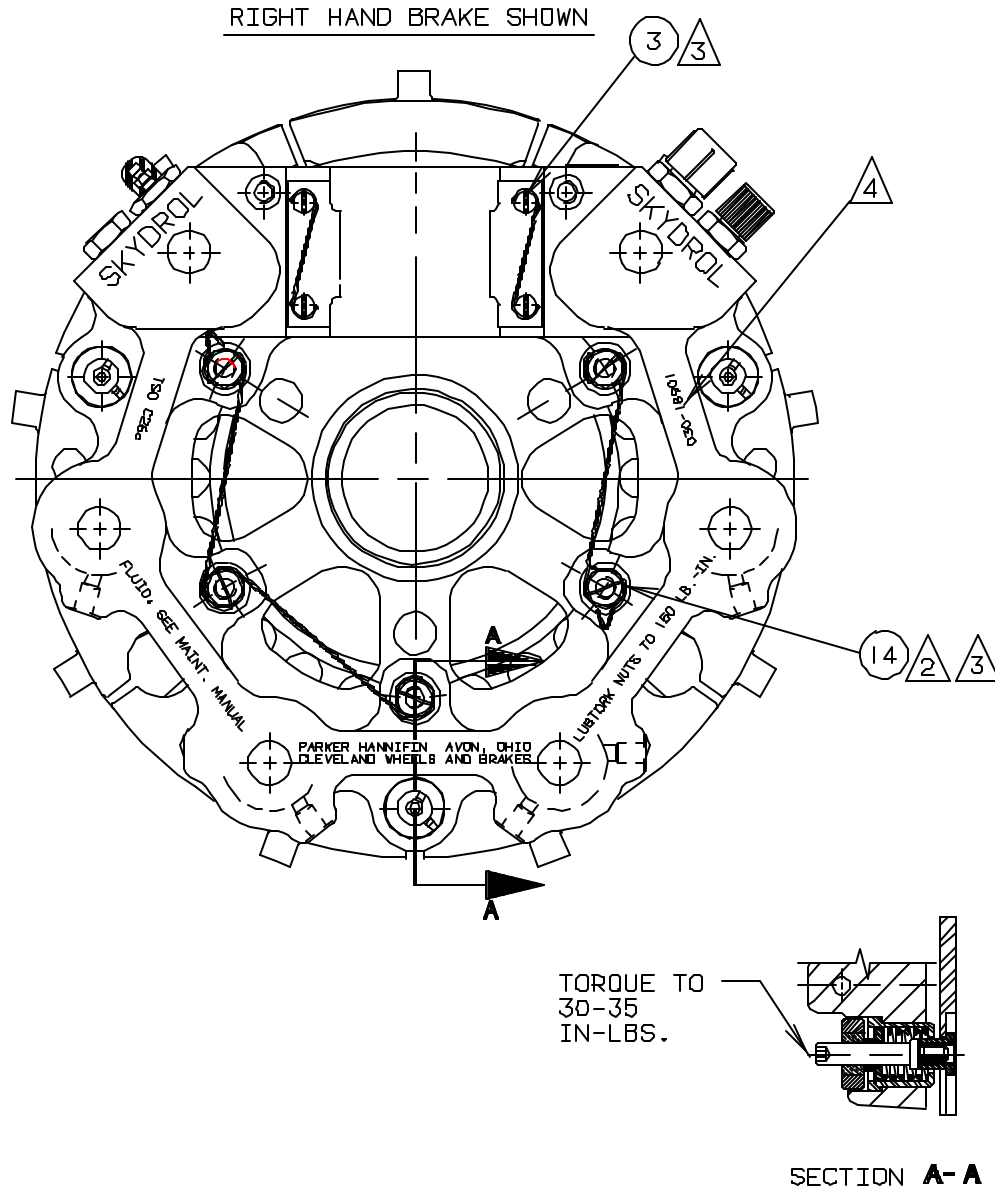
## 2. Reassembly Procedures:

### **NOTE:**

Refer to the enclosed drawing on page 4 for assembly procedures and reidentification requirements.

- A. Install Disc (P/N 159-03500), Center Stator Assembly (P/N 242-00700), and Disc (P/N 159-03500) onto 075-17600 Torque Plate Subassembly keeping the wear surfaces oriented as they were on the 065-15300 Torque Tube when removed.
- B. Install Cylinder Assembly (with pressure plate attached) onto the 075-17600 Torque Plate Subassembly, aligning holes with the tapped holes on the lugs of the Torque Plate.
- C. Next, place 095-02800 washer onto the 103-85300 bolt and apply MIL-T-5544B anti-seize compound to both surfaces of washer, under bolt head and threads of bolt. When installing washer onto bolt, the countersink on the washer must face bolt head or bolt failure may result.
- D. Install five (5) 103-85300 bolts thru cylinder into torque plate subassembly, snug down and then final torque 150 lb.-in. and safety wire with MS20995C32 per MS33540.
- E. Test brake in accordance with "Testing Procedure", page 701 of 30-189A Overhaul Manual.
- F. Re-identify brake assembly with new nameplate 166-10800 as follows:
  - Model - 30-189A
  - Date Manufactured - (Enter date of manufacture off old nameplate)
  - Serial Number - (Enter serial number of brake assembly)
  - Weight - 35.8#
- G. Install brake assembly on aircraft and condition linings in accordance with 199-164 Installation Manual.

# SERVICE BULLETIN



NOTES:

1. BRAKE IDENTIFIED WITH THE FOLLOWING:  
MODEL NO. 30-189A  
WT. 35.8 DATE MFG.  
MFG. UNDER FAA-TSO-C26c  
PARKER HANNIFIN CORP.  
AIRCRAFT WHEEL & BRAKE DIVISION  
AVON, OHIO
2. LUBTORK ITEM #14 (103-85300 BOLTS) TO 150 IN-LBS PER ESP3606
3. ITEM #3 (102-07100 SCREWS) AND ITEM #14 (103-85300 BOLTS) TO BE SAFETY WIRED WITH MS33540 AS SHOWN.
4. GRIND OFF LAST "0" FROM "030-18900" AND IMPRESSION STAMP "1" TO READ "030-18901".  
REPAINT PER 30-189A OVERHAUL MANUAL.