

AIRCRAFT WHEEL & BRAKE DIVISION

PARKER HANNIFIN CORPORATION

AVON, OHIO

PARTS LIST

199-13000 CONVERSION KIT

<u>PART NO.</u>	<u>DESCRIPTION</u>	<u>QUANTITY</u>
Ⓐ 139-13500	Retract Assembly	8
139-13100	Stud Assembly	8
Ⓐ 067-08000	Spacer	8
139-13300	Cup Assembly	8
P.R.M. NO. 36	Product Reference Memo	1
30-107C	Assembly Drawing & Parts List	1
166-10900	Decal	2
Ⓐ 101-24200	O-Ring (2-227) (N756-75)	8
101-24900	O-Ring (2-110) (N756-75)	8
139-13500	Retract Assembly Drawing	1
139-13100	Retract Stud Assembly Drawing	1
	Maintenance Procedure (30-107C)	1

Ⓐ Note: This kit will convert one aircraft

199-130
07-23-84 (274-46)
9-20-84 REV A (274-86)

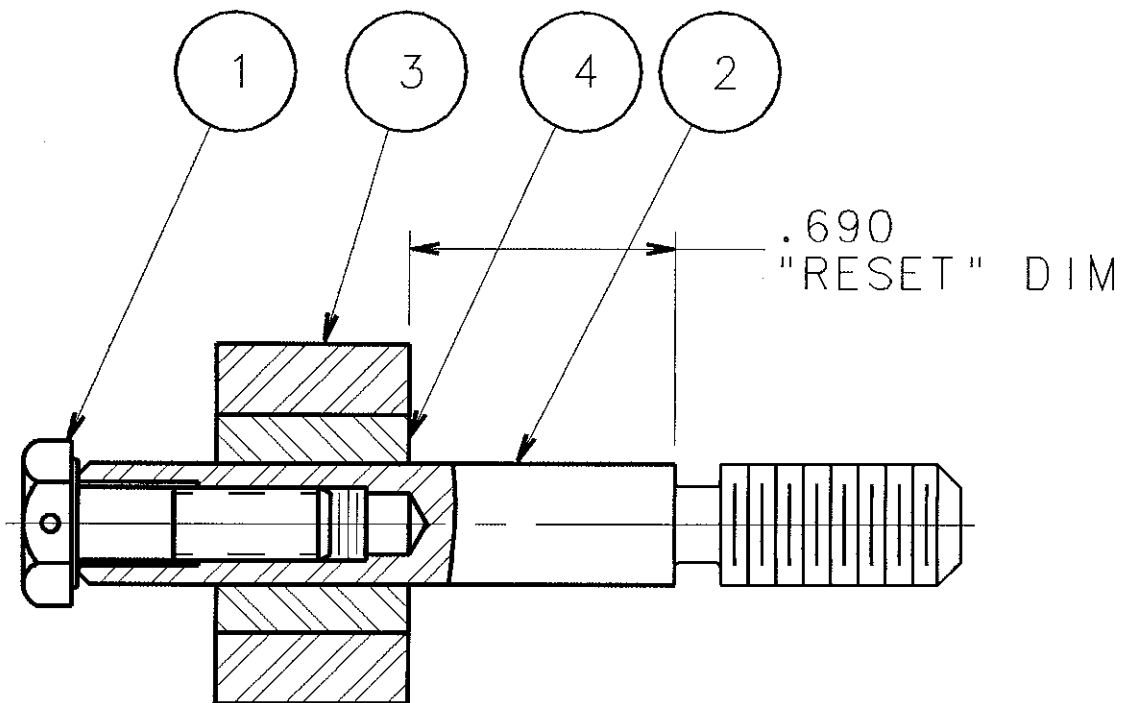
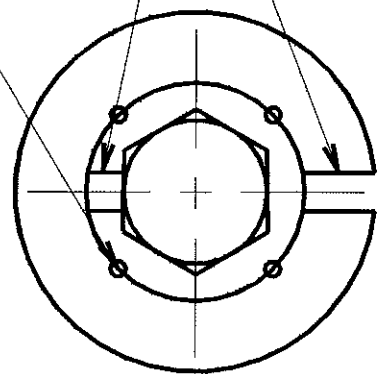
THE PART SHOWN HEREIN IS A PROPRIETARY PRODUCT OF PARKER HANNIFIN UNLESS NOTED AS CUSTOMER DESIGNED. PARKER RESERVES ALL RIGHTS TO THE INFORMATION AND DESIGN DISCLOSED HEREIN.

THIS DOCUMENT CONTAINS INFORMATION THAT IS CONFIDENTIAL AND PROPRIETARY TO PARKER HANNIFIN CORPORATION. THIS DOCUMENT IS FURNISHED ON THE UNDERSTANDING THAT THE DOCUMENT AND THE INFORMATION IT CONTAINS WILL NOT BE COPIED OR DISCLOSED TO OTHERS EXCEPT WITH THE WRITTEN CONSENT OF PARKER, WILL NOT BE USED FOR ANY PURPOSE OTHER THAN CONDUCTING BUSINESS WITH PARKER, AND WILL BE RETURNED AND ALL FURTHER USE DISCONTINUED UPON REQUEST BY PARKER. COPYRIGHT PARKER. YEAR OF COPYRIGHT IS FIRST YEAR INDICATED ON THIS DOCUMENT. ALL RIGHTS RESERVED.

DWG. NO.	139-13100	SHEET	1/1	REV.	D	REVISIONS			
CHANGE NOTICE	ZONE	LTR	DESCRIPTION OF CHANGE	CHG BY	CHK BY	DATE	APPROVED		
0311-39	.	C	REDRAWN ON CAD, SEE C/N	DJP	BB	97-10-14	R. HARTLAUB		
0331-09	.	D	REVISED SEE C/N.	DJP	<i>S.Z.</i>	98-09-03	<i>R. Hartlaub</i>		

STAKE FOUR PLACES BOTH SIDES

SLOTS MUST BE LOCATED AS SHOWN



NOTES:

1. ASSEMBLY SEQUENCE.
 - a. APPLY 219-00400 RETAINING COMPOUND (RC680) TO O.D. OF ITEM 4, PRESS ITEM 3 INTO ITEM 4 WITH SLOTS ORIENTED AS SHOWN.
 - b. PRESS ITEM 2 INTO ITEM 4, USING A BULLETNOSE TOOL TO DIMENSION SHOWN.
 - c. STAKE FRICTION SLEEVES, ITEMS 3 & 4, AS SHOWN.
 - d. INSTALL AND TORQUE ITEM 1 TO 50-60 IN-LBS.
2. FRICTION SLEEVE MUST HOLD MINIMUM OF 215 LBS.

4	30-159B&C		
4	30-107C&D	1	139-13500
QTY	FINAL ASSY	QTY	NEXT ASSEMBLY

APPLICATION (NOT MAINTAINED)

DO NOT SCALE DRAWING

THIS PLOT IS COMPLETELY DEFINED BY THE COMPUTER DATASET, WHICH IS THE SOLE AUTHORITY FOR THE INFORMATION PROVIDED. DIMENSIONALLY STABLE COPIES MUST BE OBTAINED FROM THE DATASET. ALL REVISIONS TO THIS PLOT MUST BE BY DATASET. REVISION ONLY- NO REVISIONS MAY BE MADE BY HAND.

1	4		139-12800	FRICTION SLEEVE		
1	3		139-12700	FRICTION SLEEVE		
1	2		139-12900	RETRACT STUD		
1	1		103-01300	BOLT		
X	X		139-13100	RETRACT STUD ASSEMBLY		
QTY	ITEM NO.	CAGE CODE	PART NO.	DESCRIPTION	MATERIAL/SPECIFICATION	WGT. (LB)

UNLESS OTHERWISE SPECIFIED: DIMENSIONS ARE IN INCHES		PROGRAM/CONTRACT NO.		CLEVELAND WHEELS & BRAKES	
TOLERANCES: 2 PLACE (.XX) ±.03		DRAWN D.A.B.		Aircraft Wheel And Brake Division	
3 PLACE (.XXX) ±.010		DATE 6-14-84		Parker Hannifin Corporation	
DIM. AND TOL. PER ANSI Y14.5M-1982		CHECKED		Avon, Ohio 44011	
GENERAL MACHINED SURFACES 125/PER ANSI B46.1		ENGINEER		DWG. TITLE	
REMOVE ALL BURRS		DESIGN APPROVAL		RETRACT STUD ASSY	
BREAK CORNERS .005-.010		PROJ APPROVAL		SIZE CAGE CODE DWG. NO. REV.	
INTERNAL RADI .005-.010		REL. DATE:		B 33269 139-13100 D	
WTS/STRESS	DATE	SCALE: 2:1		UNIT WGT.:	SHEET: 1/1
MFG ENGR					
QUAL ASSUR					

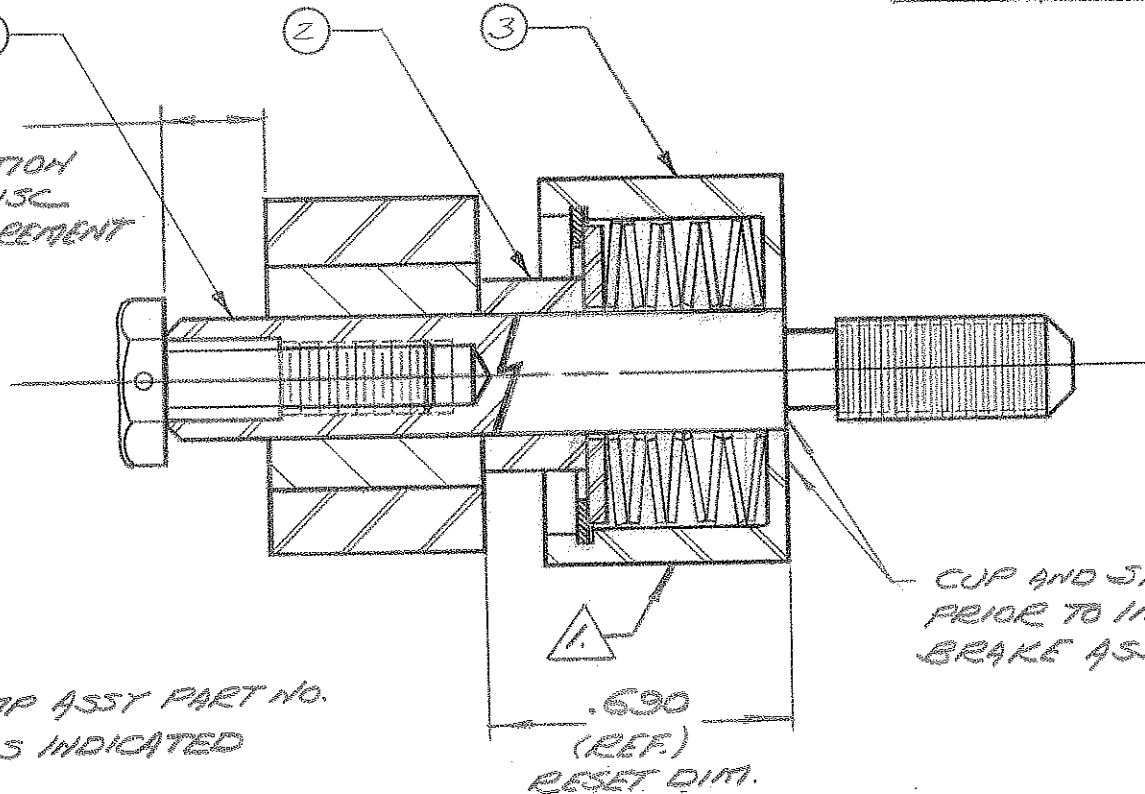
DO NOT SCALE

THIS DOCUMENT CONTAINS INFORMATION THAT IS CONFIDENTIAL AND PROPRIETARY TO PARKER HANNIFIN CORPORATION. THIS DOCUMENT IS FURNISHED ON THE UNDERSTANDING THAT THE DOCUMENT AND THE INFORMATION IT CONTAINS WILL NOT BE COPIED OR DISCLOSED TO OTHERS EXCEPT WITH THE WRITTEN CONSENT OF PARKER. WILL NOT BE USED FOR ANY PURPOSE OTHER THAN CONDUCTING BUSINESS WITH PARKER, AND WILL BE RETURNED AND ALL FURTHER USE DISCONTINUED UPON REQUEST BY PARKER. COPYRIGHT PARKER. YEAR OF COPYRIGHT IS FIRST YEAR INDICATED ON THIS DOCUMENT. ALL RIGHTS RESERVED.

139-13500

CHANGE NOTICE	LET-TER	DESCRIPTION OF CHANGE	CHG. BY	DATE	CHK'D. BY
2 ND / 106	-	INITIAL RELEASE	PB	7-23-54	

.025
VISUAL INDICATION
OF LINING & DISC
INSPECTION REQUIREMENT



CUP AND STUD TO BE FLUSH
PRIOR TO INSTALLATION ON
BRAKE ASSEMBLY

△ INK STAMP ASSY PART NO.
ON CUP AS INDICATED

NOTES:

QTY	QTY	ITEM	PART NO.	DESCRIPTION	MATERIAL & SPEC.	HEAT TREAT & SPEC.	FINISH & SPEC.	WGT.
1	3		139-13300	CUP ASSEMBLY				
1	2		067-08000	SPACER				
1	1		139-13100	STUD ASSEMBLY				
X	X		139-13500	RETRACT ASS'Y				

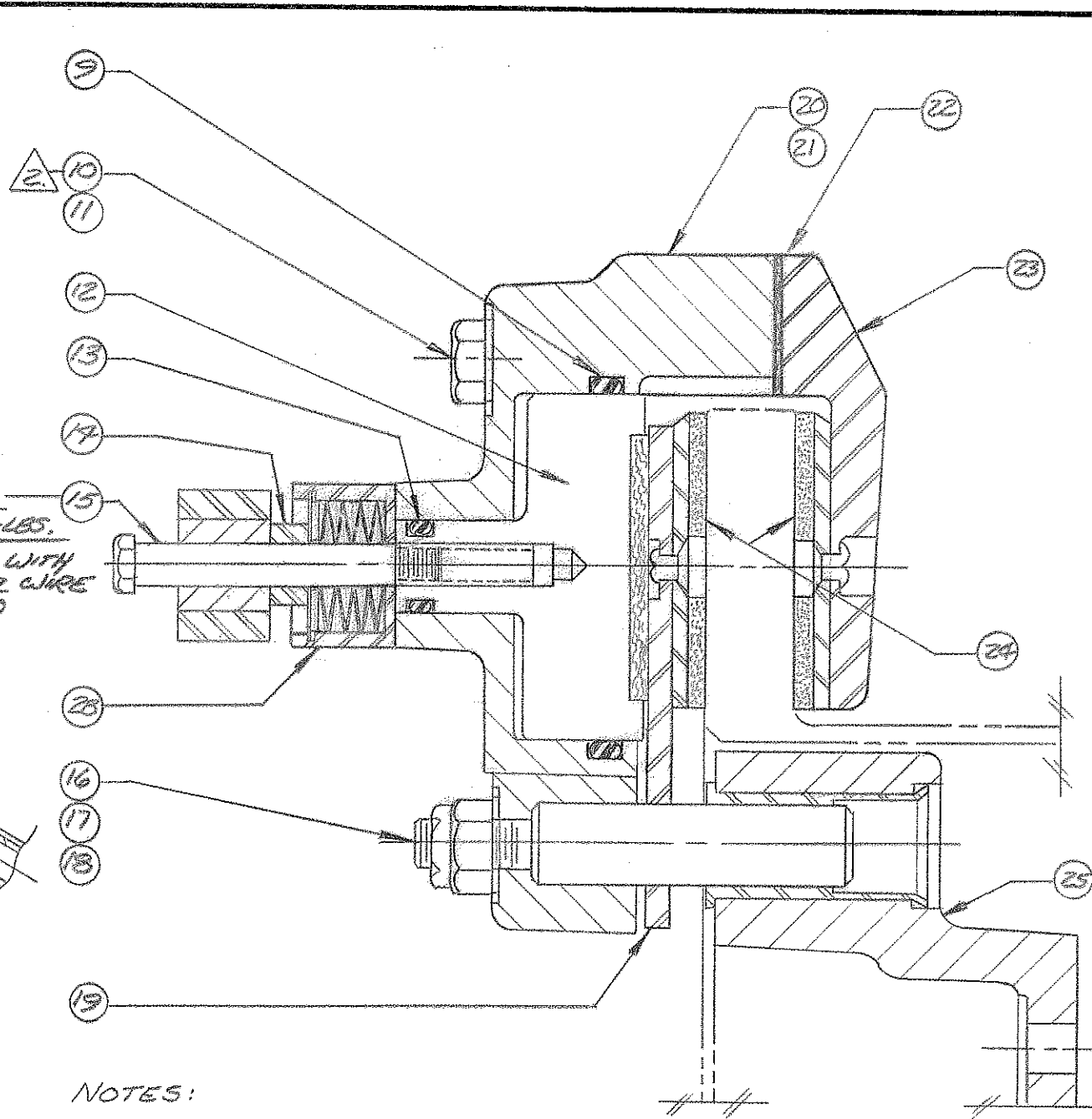
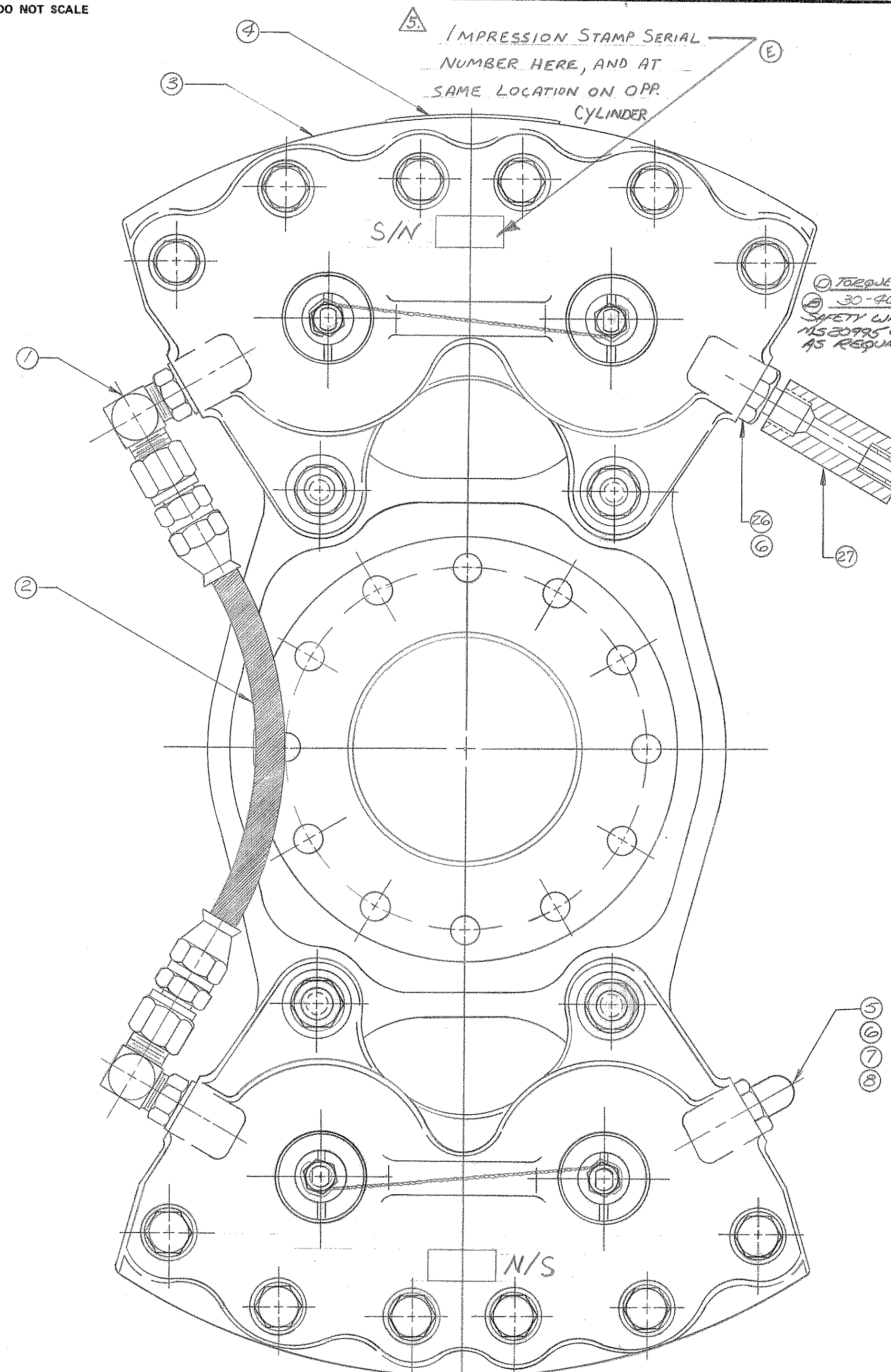
NEXT ASSEMBLY 30-107C	QTY 4	FINAL ASSEMBLY 30-107C	QTY 4	PATTERN, CASTING OR BLANK NO.	DRAWN BY 0186-14 PB	Cleveland Wheels & Brakes Aircraft Wheel and Brake Division Parker Hannifin Corporation 1160 Center Road Avon, Ohio 44011		
THIS DESIGN IS THE PROPERTY OF PARKER HANNIFIN CORP. AIRCRAFT WHEEL AND BRAKE DIVISION AND IS NOT TO BE COPIED, DUPLICATED, OR USED AS THE BASIS FOR MANUFACTURE OR SALE OF EQUIPMENT WITHOUT OUR WRITTEN PERMISSION.		ZYGLO PER MIL-I-6866 STAMP P ON PART		WORK TO DIMENSIONS - DO NOT SCALE TOLERANCE FOR .XXX ± .010 TOLERANCE FOR .XX ± .030 TOLERANCE FOR ANGULAR DIMS. ± 1/2° TOLERANCE FOR FRACTIONAL DIMS. ± .030		CHECKED BY		
		MAGNAFLUX PER MIL-I-6868 STAMP M ON PART		BREAK SHARP EDGES .010 UNLESS NOTED. REMOVE ALL BURRS BEFORE PLATING. DRILL PER INSP. PROCEDURE NO. 114.		SCALE 2:1		
		<input checked="" type="checkbox"/> GENERAL MACHINED SURFACES TO BE 125 FINISH UNLESS NOTED				NAME RETRACT ASSEMBLY 139-13500		
		UNLESS NOTED ALL THREADS PER MIL-S-7742						

DO NOT SCALE

30-107C

E

CHANGE NOTICE	LETTER	DESCRIPTION OF CHANGE	CHG. BY	DATE	CHK'D. BY
274/46	-	INITIAL RELEASE	CAB	7-23	
274/71	A	091-16600 WAS 091-14700	9/16	8-22	
274/86	B	ADDED LOCKWIRE	CAB	9-18	
275/18	C	FAA-TSO-C2606 REQ. WAS FAA-TSO-C2629	FJI	11-28	
275/36	D	30-40 WAS 60-70	CB	12-13	
289/42	E	ADD SHY RAMP - NOTE 5	RB	4-29-88	RB



NOTES:

- 1. BRAKE TO BE TESTED IN ACCORDANCE WITH INSPECTION PROCEDURE #106
- 2. TORQUE ITEM #10, 103-145 BOLTS TO 85-90 IN-LBS.
- 3. BRAKE IDENTIFIED WITH THE FOLLOWING:

MODEL NO.	MFG UNDER FAA-TSO-C2606/6 REQ. (C)
WT.	DATE MFG.
CLEVELAND WHEELS & BRAKES AVON, OHIO	
- 4. REFER TO 139-13100 DWG. FOR PROPER ASSEMBLY OF ITEM #15

4	23	074-04700	BACK RET. ASS'Y.
2	22	068-03300	SHIM
2	21	091-16600	CYLINDER ASS'Y.
2	20	061-09000	CYLINDER
2	19	073-06200	PRESS. RET ASS'Y.
4	18	094-10400	NUT
4	17	095-10500	WASHER
4	16	069-01200	ANCHOR BOLT
7	15	139-13100	STUD ASSEMBLY
7	14	067-03000	SPACER
4	13	101-24900	O RING
4	12	092-04500	PISTON ASS'Y.
12	11	095-10400	WASHER
12	10	103-14500	BOLT
4	9	101-24200	O RING
1	8	153-00100	BLEEDER CAP
1	7	079-00300	BLEEDER SCREW
2	6	101-24600	O RING
1	5	081-00200	BLEEDER SEAT
1	4	166-06500	NAMEPLATE
1	3	166-10400	NAMEPLATE
1	2	20T-01100	HOSE ASS'Y.
2	1	104-03100	FITTING ASS'Y.
+	+	30-107C	BRAKE ASS'Y.

BRAKE CAPACITY:


R.E. RATING = 1,531,000 @ 84.76 KNOTS
 MAX. STRUCTURAL TORQUE = 67,230 IN-LBS.
 USED WITH WHEEL ASS'Y. --- 40-107/40-107A
 TIRE SIZE = 8.50-10, 10 PLY TUBELESS OR 24x7.7, 16 PLY TUBELESS (30 PSI. MAX.)
 R.T.O. CAPACITY = 3,309,000 FT-LBS. @ 120.43 KTS.

NOTES, CONT'D:

- 5. IMPRESSION STAMP SERIAL NUMBER IN LOCATION SHOWN, USING 3/32" NO'S. S/N TO BEGIN AT "101" AND FOLLOW IN ASCENDING ORDER. RECORD IN LOG BOOK; 1 S/N PER BRAKE ASSY.

4	23	139-13300	CUP ASSEMBLY
1	27	20T-01300	INLET HOSE
1	26	104-04900	FITTING
1	25	075-13400	TORQUE RET ASS'Y.
8	24	066-09000	LINING

QTY	ITEM	PART NO.	DESCRIPTION	MATERIAL & SPEC.	HEAT TREAT & SPEC.	FINISH & SPEC.	WGT.
-----	------	----------	-------------	------------------	--------------------	----------------	------

THIS DESIGN IS THE PROPERTY OF PARKER HANNIFIN CORP. AIRCRAFT WHEEL AND BRAKE DIVISION AND IS NOT TO BE COPIED, DUPLICATED, OR USED AS THE BASIS FOR MANUFACTURE OR SALE OF EQUIPMENT WITHOUT OUR WRITTEN PERMISSION.		ZYGLO PER MIL-I-6866 STAMP P ON PART	MAGNAFLUX PER MIL-I-6868 STAMP M ON PART	WORK TO DIMENSIONS - DO NOT SCALE TOLERANCE FOR .XXX ± .010 TOLERANCE FOR .XX ± .030 TOLERANCE FOR ANGULAR DIMS ± 1/2° TOLERANCE FOR FRACTIONAL DIMS ± .030	BREAK SHARP EDGES .010 UNLESS NOTED. REMOVE ALL BURRS BEFORE PLATING. DRILL PER INSP. PROCEDURE NO. 114.	DRAWN BY: OAB CHECKED BY: JG SCALE: FULL NAME:	
Cleveland Wheels & Brakes Aircraft Wheel and Brake Division Parker Hannifin Corporation 1160 Center Road Avon, Ohio 44011		BRAKE ASSEMBLY		30-107C			



Technical Publication

Component Maintenance Manual With Illustrated Parts List

MM40-107/30-107



Wheel & Brake Assembly

Main Wheel Assembly

Part No. 40-107

Part No. 40-107A

Main Brake Assembly

Part No. 30-107

Part No. 30-107A

Part No. 30-107B

Part No. 30-107C

Part No. 30-107D

Part No. 30-107E

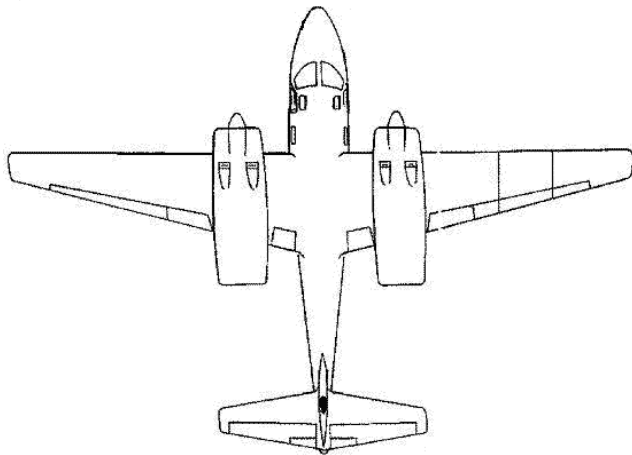


Technical Publication

Component Maintenance Manual With Illustrated Parts List

MM40-107/30-107

Wheel & Brake Assembly



Main Wheel Assembly

Part No. 40-107

Part No. 40-107A

Main Brake Assembly

Part No. 30-107

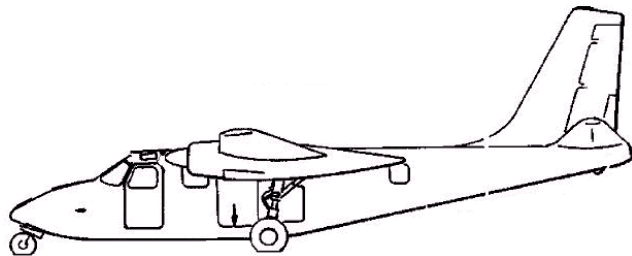
Part No. 30-107A

Part No. 30-107B

Part No. 30-107C

Part No. 30-107D

Part No. 30-107E



Used On

Rockwell 690, 695, 840, 980 Series

Initial Issue January 23, 1978

Cleveland

Wheels & Brakes

Parker Hannifin Corporation

Aircraft Wheel & Brake

Avon, Ohio 44011

Cage Code 33269

Page T-1

February 01, 2002



MM40-107/30-107 COMPONENT MAINTENANCE MANUAL WITH IPL
 FOR MAIN WHEEL ASSEMBLY PART NO. 40-107 SERIES AND
 MAIN BRAKE ASSEMBLY PART NO. 30-107 SERIES

LIST OF REVISIONS

REV	DATE	PAGE	DESCRIPTION	APPROVAL
A	5-5-82	7.1	B,2) & B,5)...Changed to call out removal and installation of stud assembly from piston instead of bolt from stud. Added "torque stud assembly at 60-70 in-lbs."	B.B.
		7.2	...Added call out of 110-04900 stud assy.	
B	7-29-83	4	5.2.0...Changed to call out removal and installation of center rivet. Delete application of glue to backside of lining.	B.B.
		7.1	..."SERIES" was "/30-107A" ...Added line B,2A) B,5)...Added "(or bolt and spring guide, if used)." Added "(or bolt P/N 103-15300, is used)."	
		7.2	...Added footnote * ...Added footnote **	
C	9/27/84	7.3	...Added Section 7.3, Maintenance Instructions, 30-107C Brake Assembly	B.B.
D	12/10/84	7.3	...Added 30-107D Para. 7.3, 1.: Added "199-13001" and "38". Para. 7.2, 1.< 16): "30-40" was "60-70".	B.B.
E	3/18/87	6	".492" was ".502"	B.B.
F	1/10/89	2	Sec. 3.1.2 Add "...300 in-lb."	B.B.
G	02/01/02	ALL	Add instructions for 30-107E and Update formatting	B.B.



TABLE OF CONTENTS

<u>SECTION</u>	<u>PAGE</u>
1. MAIN WHEEL	1
1.1 Disassembly	1
1.2 Cleaning, Inspection and Repainting	1
1.3 Reassembly	3
2. MAIN BRAKE	3
2.1 Disassembly	3
2.2 Cleaning, Inspection and Repainting	5
2.3 Reassembly	7
3. WEAR LIMITS.....	8
4. AXLE NUT TORQUE REQUIREMENTS & PROCEDURE	8
5. SERVICING RETRACT SPRING STACK (30-107, 30-107A, 30-107B).....	9
6. SERVICING RETRACT MECHANISM (30-107C, 30-107D, 30-107E)	12
7. ILLUSTRATED PARTS LIST.....	19
8. DETAILED PARTS LIST – MAIN WHEEL (40-107, 40-107A).....	23
9. DETAILED PARTS LIST – MAIN BRAKE (30-107, 30-107A, 30-107B).....	27
10. DETAILED PARTS LIST – MAIN BRAKE (30-107C, 30-107D, 30-107E)	31



INTRODUCTION

This manual is published for the guidance of personnel who are responsible for the maintenance functions of the Parker Wheel & Brake Assembly(ies) covered in this publication. The instructions published herein contain the necessary information to perform maintenance checks "on aircraft" as well as complete shop repair of the assemblies.

NOTE: For information not specifically covered in this manual, refer to the Component Maintenance Manual, AWBCMM0001, current issue. It is a reference publication generically written to address the common practices and procedures used to inspect, troubleshoot and overhaul most General Aviation external type wheels and brakes.

While Parker Hannifin Corporation represents that information contained in this manual was current at the time of publication of this issue, the user is cautioned to inquire as to whether a more recent revision is in existence before proceeding with maintenance operations. To accomplish this, users can contact Parker directly at the following:

Parker Hannifin Corporation
Aircraft Wheel and Brake
1160 Center Road
Avon, Ohio 44011 U.S.A. Attn: Customer Service
1-800-272-5464 (Phone)
(440) 937-5409 (Fax)

NOTICE

The procedures outlined in this manual may be altered if better and/or more economical methods can be employed by the individual facilities. However, the alternate procedures must not lessen the efficiency of operation of the assembly, and all torque and specific limits or values contained herein must be strictly observed. If deviations are questionable, contact Parker Engineering at the above number.

1. MAIN WHEEL

Refer to IPL Figure 8 for identification of wheel assembly components.

1.1 Disassembly

1.1.1 Properly jack up aircraft and fully deflate tires.

1.1.2 Remove bolts and washers from brake assembly to remove back plates.

1.1.3 Remove wheel from axle.

CAUTION: DO NOT USE TIRE IRONS.

1.1.4 Double check to make sure tire is fully deflated and break tire bead from wheel flange. Use a mallet or non-metallic instrument.

1.1.5 Remove nuts (8-15 or 8-15A), washers (8-10 or 8-10A), and bolts (8-5 or 8-5A) to separate wheel halves.

1.1.6 Remove and discard the O-ring (8-20).

1.1.7 Remove brake disc (8-65) from inner wheel half (8-35). If the disc sticks, use a non-metallic instrument and pry it out.

1.1.8 Remove snap rings (8-60, 8-95) grease seal felt (8-55) grease seal rings (8-50) and hubcap (8-90 or 8-90A) from inner and outer wheel halves (8-35, and 8-75 or 8-75A).

1.2 Cleaning, Inspection and Repainting

1.2.1 Degrease all metallic parts and dry thoroughly.

1.2.2 Visually inspect bearing cups (8-40, 8-80) and cones (8-45, 8-85) for damage or wear, but do not remove the cups from the wheel half unless replacement is necessary.

- 1.2.3 If a bearing cup is to be replaced, the wheel half must be heated either in boiling water for 30 minutes, or in an oven not to exceed 149°C (300°F) before attempting to remove or install a cup. If the cup does not drop out, tap the cup evenly from the axle bore, using a fiber drift pin, or a suitable arbor press.

CAUTION: NEVER EXCEED 500 WHEEL MILES BETWEEN REPACKING INTERVALS.

- 1.2.4 Inspect bearing cones for grease contamination and/or solidification at every periodic inspection. Repack wheel bearings with Aeroshell grease 22, conforming to MIL-G-81322.

CAUTION: NEVER PAINT WORKING SURFACES OF THE BEARING CUPS.

- 1.2.5 Inspect wheel halves for cracks or damage. If casting is cracked, or shows excessive corrosion, it should be replaced. Small nicks or gouges in the castings should be blended out and polished with (400 grit) sandpaper. Inspect O-ring (8-20) seating areas for nicks or distortion. Nicks may be lightly blended with a fine grit sandpaper. badly distorted sections in this area will hamper O-ring sealing Characteristics, and is cause for wheel half replacement. Areas from which the protective coating has been removed, or that show slight corrosion, should be thoroughly cleaned and repainted with one coat of zinc chromate primer, and one coat of aluminum (color) polyurethane.
- 1.2.6 Inspect snap rings and grease seal rings for distortion. Replace grease seal felts if badly worn or contaminated. Lightly saturate new or reused grease seal felts with SAE 10 oil before installation (DO NOT SOAK).
- 1.2.7 Inspect brake disc (8-65) for cracks, corrosion, excessive wear, scoring or warpage. Rust may be removed by hand wire brushing and finishing with a medium grit sandpaper or emery.
- 1.2.8 Inspect wheel bolts for cracks and corrosion. Cracked bolts are to be replaced with a new bolt of corresponding part number. Inspect metallic self-locking nuts. If the nut can be turned onto the bolt by hand, so that the bolt will protrude past the end of the nut, it is to be replaced.

1.3 Reassembly

- 1.3.1 Place inner wheel half (8-35) with brake disc (8-65) and bolts (8-5 or 8-5A) installed on a flat surface, with register portion of the wheel half up. Place new O-ring (8-20) on register portion of wheel half. Place tire over inner wheel half, and then place outer wheel half in tire, making sure to properly align male and female registers. Install nuts (8-15 or 8-15A) and washers (8-10 or 8-10A). Torque nuts to limits listed on decal affixed to outer wheel half. When all nuts have been torqued, torque a second time to make sure that the required value has been achieved; sometimes O-ring compression will give false initial readings. Inflate tire to desired pressure.
- 1.3.2 To complete wheel re-assembly, reverse steps 1.1.2 through 1.1.7 and torque wheel nuts (8-15 or 8-15A) per limits listed on decal affixed to outer wheel half (8-75 or 8-75A): 300 in-lb.

2. MAIN BRAKE

Refer to IPL Figure 9 and Figure 10 for identification of brake assembly components.

NOTE: It is not necessary to remove the wheel from the aircraft to disassemble and service brake.

2.1 Disassembly

- 2.1.1 Remove and cap hydraulic line.
- 2.1.2 Remove the cylinder bolts (9-5 or 10-5) and remove back plate assemblies (9-85 or 10-85).
- 2.1.3 Remove the brake cylinder assemblies (9-15, -15A, -15B or 10-15, -15A, -15B, -15C) from the torque plate (the torque plate will remain mounted to the axle).
- 2.1.4 Remove the pressure plate assembly (9-60 or 10-60), inlet fitting (9-175 or 10-215), and bleeder fitting (9-155 or 10-195).

NOTE: It will be necessary to remove the retracts prior to piston removal.

- 2.1.5 Refer to section 5. and 6. for removal of the retracts prior to removing the pistons.

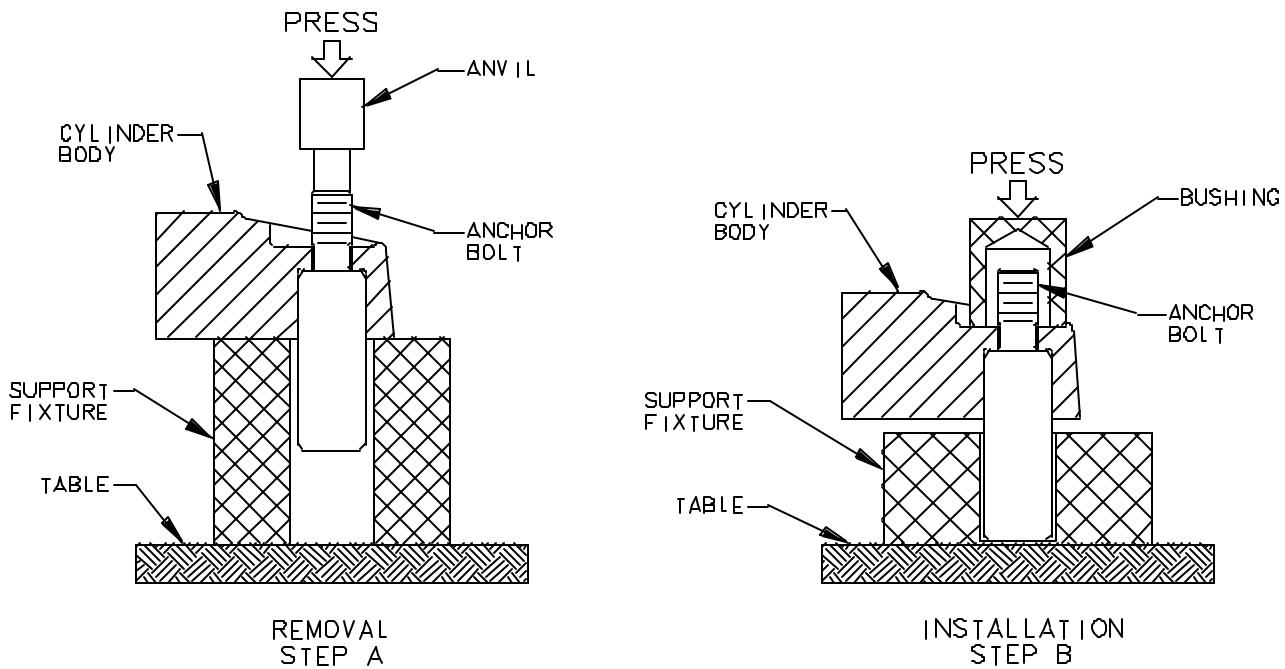
CAUTION: MARK EACH PISTON AND BORE TO ENABLE CORRECT REASSEMBLY.

2.1.6 The pistons (9-40 or 10-40) may be removed by threading one of the back plate attachment bolts (9-5 or 10-5) into each piston in succession, and with hand pressure, push each piston out of the brake cylinder.

2.1.7 Remove the O-rings (9-55, -55A or 10-55, -55A) from cylinder.

2.1.8 If necessary, the anchor bolts (9-100 or 10-100) may be removed by using a holding fixture and arbor press. Place the anchor bolts into the holding fixture so that the anchor bolt is piloted while being removed.

CAUTION: CYLINDER MUST BE SQUARE WITH ARBOR IN STEPS "A" AND "B" SO THAT THE ANCHOR BOLTS DO NOT COCK.



Anchor Bolt Removal and Installation
 Figure 1

2.2 Cleaning, Inspection and Repainting

2.2.1 Clean all metal parts in alcohol or suitable solvent.

2.2.2 Replace O-rings.

2.2.3 Inspect brake cylinder (9-20 or 10-20) for cracks, especially in the lug area around the anchor bolts. Cracks in this area necessitate cylinder replacement.

CAUTION: THE LARGE DIAMETER PISTON BORE AND O-RING GROOVE **SHOULD NOT** BE POLISHED WITH ABRASIVE MATERIAL.

CAUTION: NICKS AND BURRS IN THE PILOT BORE AREA CAN PREVENT THE PISTONS FROM PROPERLY RETRACTING, RESULTING IN BRAKE DRAG.

2.2.3.1 Piston bores and O-ring grooves should have foreign material loosened and flushed from all surfaces.

2.2.3.2 Small nicks and light corrosion may be blended and removed with emery or sandpaper.

2.2.3.3 Inspect the fitting ports and piston bores for contamination. Light scratches or nicks in the piston bores, pilot bores, or on the chamfered surfaces within these bores may be polished out with 600 grit emery, but the final piston bore small diameter shall not exceed $\varnothing 0.565$.

CAUTION: DO NOT PAINT INTERNAL SURFACES OF PISTON BORES.

2.2.3.4 Thoroughly clean cylinder of all residue upon completion of any reworking with available solvent applicable to aluminum. Any external surfaces from which the protective coating has been removed, should be cleaned, and painted with one coat of zinc chromate primer and one coat of aluminum (color) polyurethane.

CAUTION: DO NOT PAINT INTERNAL SURFACES OF PISTON BORES.

2.2.4 Inspect pistons (9-40 or 10-40) for nicks or burrs. Remove nicks or burrs by polishing with 600 grit emery. The final piston large diameter must not be smaller than $\text{Ø}2.121$ inch. Thoroughly clean using available solvent applicable to aluminum before re-installation.

2.2.5 Inspect brake lining for edge chipping and surface deterioration. See section 3. **WEAR LIMITS.**

2.2.6 Lining replacement can be accomplished by using a center punch to remove the center rivet. Then pry the old segments off of the carrier with a screwdriver. To install new pads, snap the new pad onto the three carrier pins (9-80 or 10-80), and then attach with new center rivet (9-75 or 10-75).

NOTE: If the linings are changed, but the pistons are not removed from the cylinder, clean the exposed surfaces of the pistons before displacing the pistons back into the cylinder.

2.2.7 Inspect pressure plate (9-65, 10-65) and back plates (9-90, 10-90) for cracks or warpage. Replace if cracked or severely deformed. Inspect pins for looseness. If loose, tighten with Parker Hannifin Wheel & Brake rivet set and anvil, P/N 199-1A and 199-1B, or replace back plate and pressure plate assembly.

NOTE: Slightly warped pressure plates with relief slots can be fixtured in a vise and straightened when laid on a flat surface; flatness should be less than .015 inches TIR. Warped pressure plates can cause brake drag.

2.2.8 Inspect anchor bolt holes in torque plate for internal corrosion or contamination. If present, clean with emery and apply a light coat of dry lube.

NOTE: For best service life, the cylinders must slide freely in the torque plate.

Check the anchor bolt hole and mounting bolt hole areas for elongation or cracks. Badly elongated or cracked parts should be replaced with new parts or corresponding part number. Minor corrosion on the torque plates may be removed with 600 grit emery.

NOTE: Surfaces from which the protective coating is removed, should be painted with one coat of zinc chromate primer, and one coat of aluminum (color) polyurethane.

2.2.9 Inspect bolts for cracks, thread damage or corrosion, and replace, if necessary.

2.3 Reassembly

2.3.1 If removed, press anchor bolts (9-100 or 10-100) (see Figure 1) into brake and install washers (9-30, -30A or 10-30) and nuts (9-25 or 10-25). Torque nuts to 90 in-lbs.

2.3.2 Install inlet and bleeder fittings.

2.3.3 Lay the cylinder on a firm surface.

2.3.4 For piston installation, lubricate the piston, O-ring, and piston bore with a small amount of MIL-H-5606 hydraulic fluid. Place piston in bore and rotate to seat drag ring and insure that piston and seal are in proper alignment.

2.3.5 Install O-rings into cylinder O-ring grooves.

2.3.6 Insert the pistons until the O-rings (9-55, -55A or 10-55, -55A) prohibit further insertion. While applying pressure with your thumbs, rotate the piston in a clockwise direction. After O-ring squeeze is overcome, the piston will slide freely into the bore. Push piston flush to cylinder face.

NOTE: If considerable effort is required, remove piston and inspect bore and pilot bore area for damage. If the bore is damaged, check the corresponding area of the piston for damage. Repair, if necessary, and repeat the above procedure.

2.3.7 Install pressure plate assembly by aligning anchor bolt holes with anchor bolts and slide onto cylinder. The pressure plate must float freely on the anchor bolts.

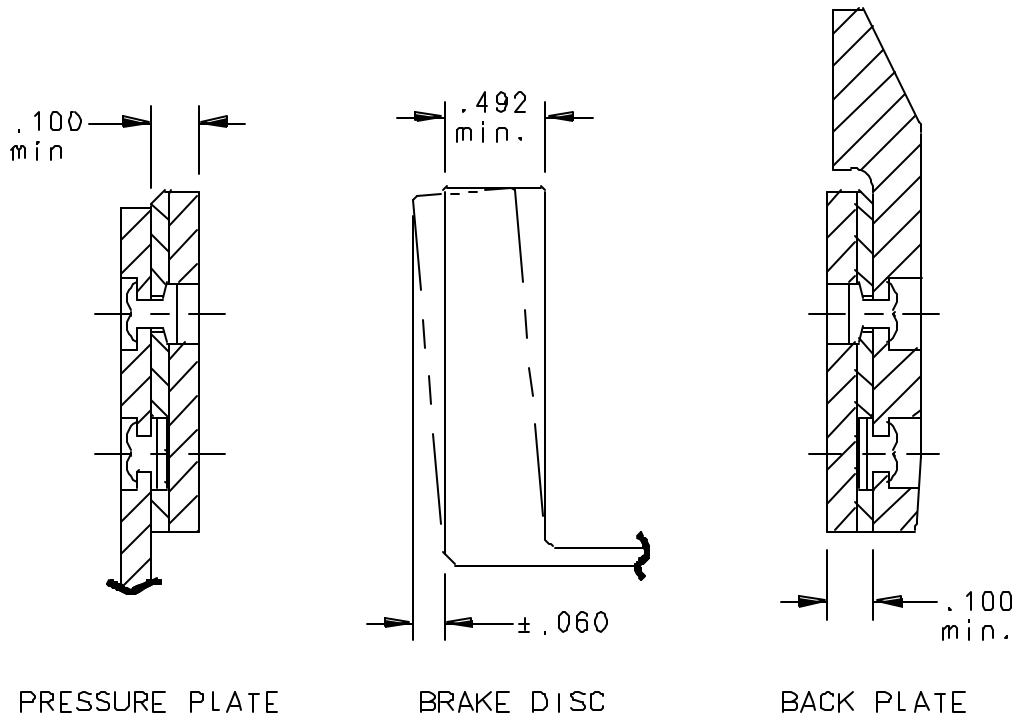
2.3.8 Install brake assembly to torque plate by aligning anchor bolts with torque plate holes and sliding brake assembly onto torque plate (it must slide freely).

2.3.9 Install washers, cylinder tie-bolts, and insulator shim. Install back plate assemblies between brake disc and wheel flange, and align with tie-bolts. Torque bolts to 85-90 in-lbs.

2.3.10 Reconnect hydraulic lines and bleed system. Check pedal for proper feel and travel.

3. WEAR LIMITS

3.1 Maximum wear limits for brake linings and discs are shown in the following figure. Disc warpage should not exceed .060 inch.



Wear Limits
Figure 2

4. AXLE NUT TORQUE REQUIREMENTS & PROCEDURE

4.1 While rotating wheel, torque axle nut to 60 in-lbs., then back off to 0 in-lbs. While rotating wheel, re-torque axle nut to 30 in-lbs. If slot in nut does not align with hole in axle, continue tightening until first available alignment is reached but do not advance nut in excess of 30° (1/2 castellation).

5. **SERVICING RETRACT SPRING STACK (30-107, 30-107A, 30-107B)**

Refer to IPL Figure 9 for identification of brake assembly components.

With the exception of piston removal, corrosion or damage caused by external (foreign objects), the spring stacks should not require service and/or replacement.

If removal is required, caution must be taken and eye protection worn to avoid injury since we are dealing with a preloaded spring stack.

- 5.1 Apply a slight amount of pressure to the brake system to prevent piston rotation.
- 5.2 For brake assemblies equipped with stud assembly (9-125):

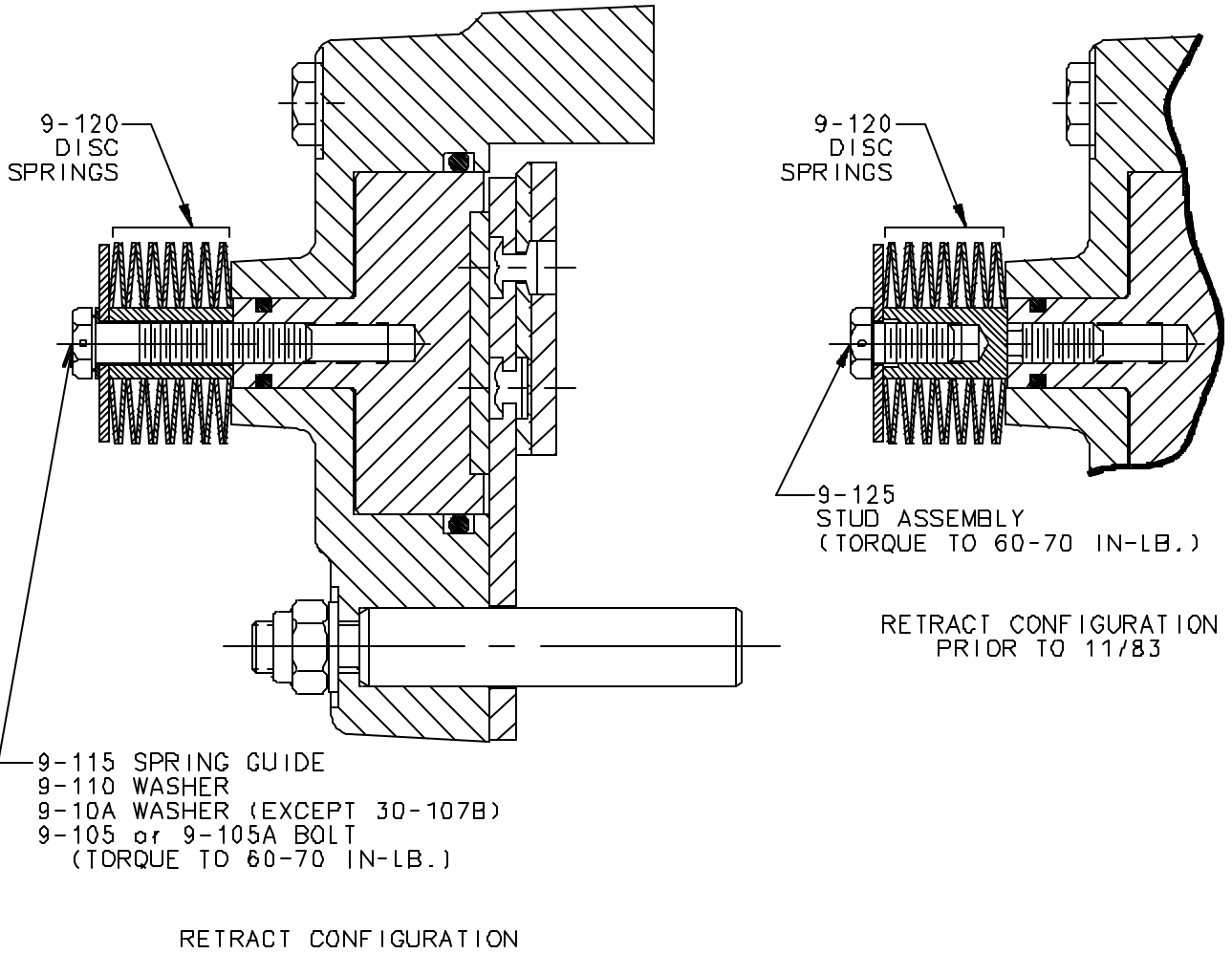
WARNING: USE EXTREME CAUTION WHEN REMOVING THE STUD ASSEMBLY (9-125). THE DISC SPRINGS (9-120) ARE UNDER LOAD.

- 5.2.1 Loosen and slowly remove the stud assembly (9-125) from each piston.
- 5.2.2 Slide the disc springs (9-120) from each stud assembly. At this point, check to see if the bolt (9-140) in the stud assembly has loosened. If so, re-tighten the bolt into the stud at 80-90 in-lbs.
- 5.2.3 Inspect the springs (9-120) for nicks or other damage caused by stones or other foreign objects. Damage of this nature is cause for replacement.
- 5.2.4 Inspect parts for corrosion. Lightly corroded parts may be polished with a fine grit emery and coated with a light film of oil or lubricant. Parts that are deeply corroded and/or pitted must be replaced.
- 5.2.5 Refer to Figure 3. After inspection, slide disc springs (9-120) onto the stud (9-130). Re-attach to each piston as shown in Figure 3. Torque stud assembly (9-125) at 60-70 in-lbs.
- 5.2.5 Actuate brake 2-3 times and visually inspect each assembly to insure that everything appears normal and seat properly.

- 5.3 For brake assemblies equipped with retract spring guide (9-115), washer (9-110), washer (9-10A [30-107 and 30-107A only]) and bolt (9-105 or 9-105A):

WARNING: USE EXTREME CAUTION WHEN REMOVING THE BOLT (9-105 OR 9-105A). THE DISC SPRINGS (9-120) ARE UNDER LOAD.

- 5.3.1 Loosen and slowly remove the bolt (9-105 or 9-105) and spring stack from each piston, and slide the disc springs (9-120) from each spring guide (9-115).
- 5.3.2 Inspect the springs (9-120) for nicks or other damage caused by stones or other foreign objects. Damage of this nature is cause for replacement.
- 5.3.3 Inspect parts for corrosion. Lightly corroded parts may be polished with a fine grit emery and coated with a light film of oil or lubricant. Parts that are deeply corroded and/or pitted must be replaced.
- 5.3.4 Refer to Figure 3. After inspection, slide disc springs (9-120) onto the bolt (9-105 or 9-105A) and spring guide (9-115). Re-attach to each piston as shown in Figure 3. Torque bolt (9-105 or 9-105A), at 60-70 in-lbs.
- 5.3.5 Actuate brake 2-3 times and visually inspect each assembly to insure that everything appears normal and seat properly.



30-107 / 30-107A / 30-107B
Figure 3

6. SERVICING RETRACT MECHANISM (30-107C, 30-107D, 30-107E)

Refer to IPL Figure 10 for identification of brake assembly components.

With the exception of piston removal, corrosion or damage caused by external (foreign objects), the retract mechanisms should not require service and/or replacement.

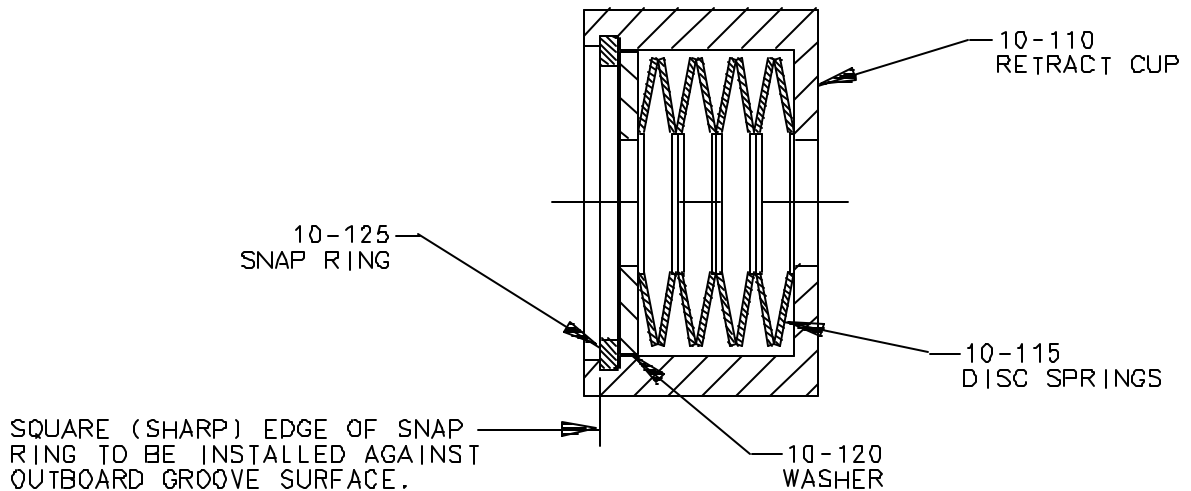
If removal is required, caution must be taken and eye protection worn to avoid injury since we are dealing with a preloaded spring stack.

- 6.1 Apply a slight amount of pressure to the brake system to prevent piston rotation.
- 6.2 Remove safety wire (10-160) from retract mechanisms.
- 6.3 Remove retract mechanisms.
 - 6.3.1 For Brake Assemblies equipped with retract stud assembly (10-135):
 - 6.3.1.1 Using a suitable wrench (3/8 inch [0.375]), loosen and remove the retract mechanisms (10-135).
 - 6.3.1.2 Remove spacer (10-130).
 - 6.3.1.3 Inspect parts for corrosion. Lightly corroded parts may be polished with a fine grit emery and coated with a light film of oil or lubricant. Parts that are deeply corroded and/or pitted must be replaced.
 - 6.3.2 For Brake Assemblies equipped with retract stud assembly (10-165):
 - 6.3.2.1 Using a suitable allen wrench (5/32 inch [0.156]), loosen and remove the retract mechanisms (10-135).
 - 6.3.2.2 Inspect parts for corrosion. Lightly corroded parts may be polished with a fine grit emery and coated with a light film of oil or lubricant. Parts that are deeply corroded and/or pitted must be replaced.

- 6.4 Remove retract cup assembly (10-105) and disassemble in accordance with the following procedures:

WARNING: USE EXTREME CAUTION WHEN REMOVING THE SNAP RING (10-125). THE DISC SPRINGS (10-115) ARE UNDER LOAD.

- 6.4.1 Using an arbor press, apply and maintain a compression load to washer (10-120) and remove snap ring (10-125).
- 6.4.2 Slide the washer (10-120) and disc springs (10-115) from the retract cup (10-110).
- 6.4.3 Inspect the springs (10-115) for nicks or other damage caused by stones or other foreign objects. Damage of this nature is cause for replacement.
- 6.4.4 Inspect parts for corrosion. Lightly corroded parts may be polished with a fine grit emery and coated with a light film of oil or lubricant. Replace parts that are deeply corroded and/or pitted.
- 6.4.5 Reassemble per Figure 4.



Retract Cup Assembly
Figure 4

6.5 Install retract mechanisms.

- 6.5.1 Prior to installation, the position of the friction sleeves (10-145, 10-150) on retract stud assembly (10-135) or friction ring and collar spring retainer (10-175, 10-180) on retract stud assembly (10-165) must be reset in accordance with the following procedures.

NOTE: Laboratory tests show that this reset procedure may be accomplished 8 times without degradation of the components function. It is recommended that after 8 reset procedures, that the entire retract mechanism be discarded and replaced. If there is suspicion that the unit is worn prior to accomplishing 8 reset procedures, the retract stud assembly (10-135 or 10-165) must be checked in accordance with the following procedure:

- 6.5.1.1 Use a spring tester. Set the friction sleeve on a suitable fixture having a hole through which the stud (10-140) or pin (10-170) can pass and apply a load of 215 lbs. to either end of the stud or pin. If the stud slips, prior to withstanding a load of 215 lbs., replacement if necessary.

- 6.5.2 Resetting and installing retracts for Brake Assemblies equipped with retract stud assembly (10-135): (See Figure 5)

- 6.5.2.1 Using a suitable bench press, reset the friction sleeves (10-145, 10-150) position on the retract stud (10-140) to attain a dimension of 0.690 inch.

- 6.5.2.2 Verify bolt (10-155) torque of 50 to 60 in-lb.

NOTE: Torquing may require a slight amount of thumb pressure be applied to the piston face to prohibit piston rotation.

- 6.5.2.3 After setting the retract mechanism, screw one each into the back of each piston and tighten with suitable 3/8 inch [0.375] wrench or socket. Final torque stud assembly (10-135) 30 to 40 in-lb.

- 6.5.2.4 Install brakes on aircraft. Apply and release parking brake. Push cylinder inboard to its full extent. Check retract stud torque to verify adjuster pin has fully engaged the piston. Inboard force on cylinder may be required to prohibit piston rotation.

- 6.5.2.5 Safety wire as required.

- 6.5.2.6 Return aircraft to service.

6.5.3 Resetting and installing retracts for Brake Assemblies equipped with retract stud assembly (10-165): (See Figure 6)

6.5.3.1 Using a suitable bench press, reset the friction ring and collar spring retainer (10-175, 10-180) position on the friction pin (10-170) to attain a dimension of 0.400 inch.

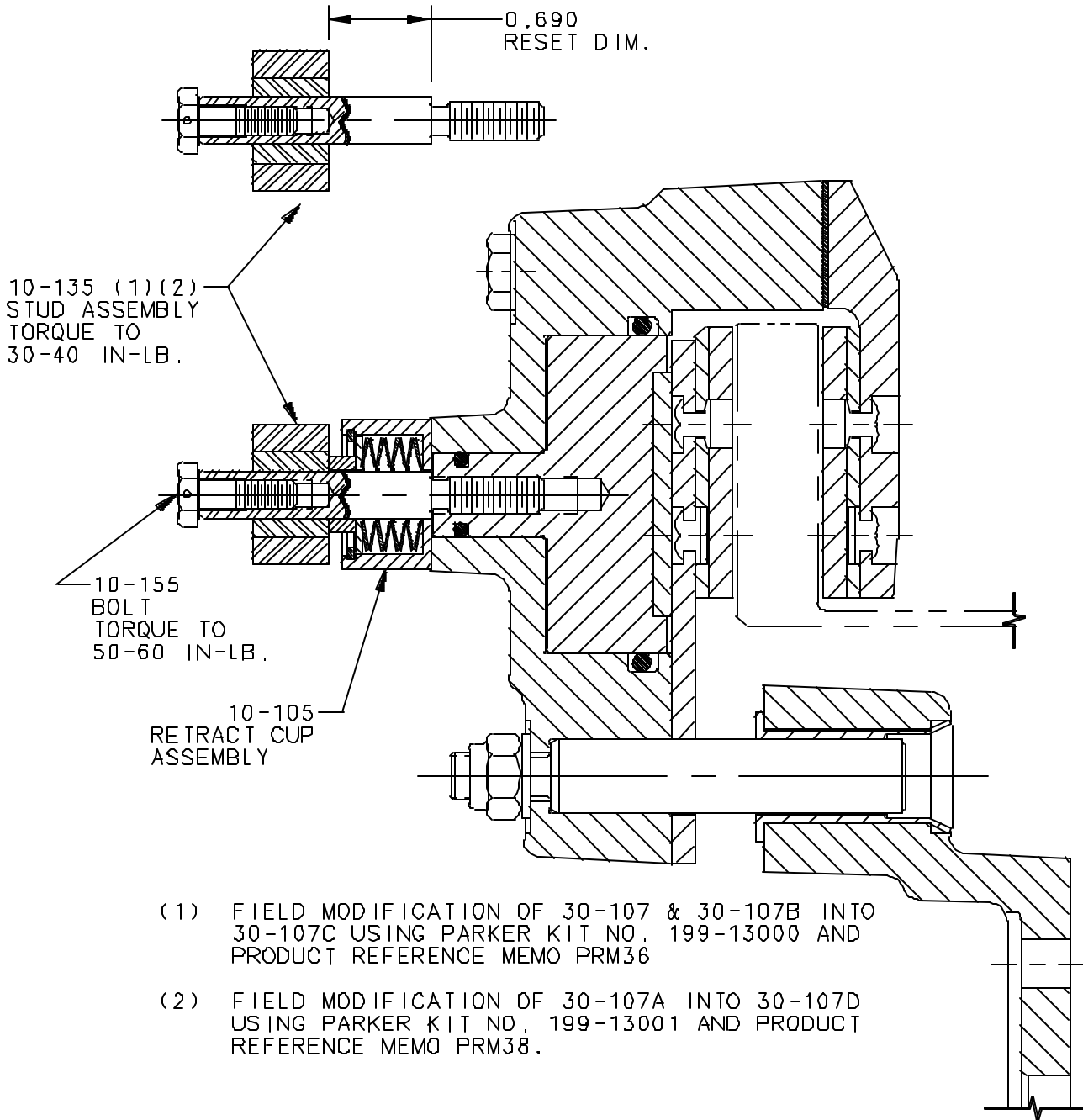
NOTE: Torquing may require a slight amount of thumb pressure be applied to the piston face to prohibit piston rotation.

6.5.3.2 After setting the retract mechanism, screw one each into the back of each piston and tighten with suitable 5/32 inch [0.156] allen wrench. Final torque pin (10-170) 50 to 60 in-lb.

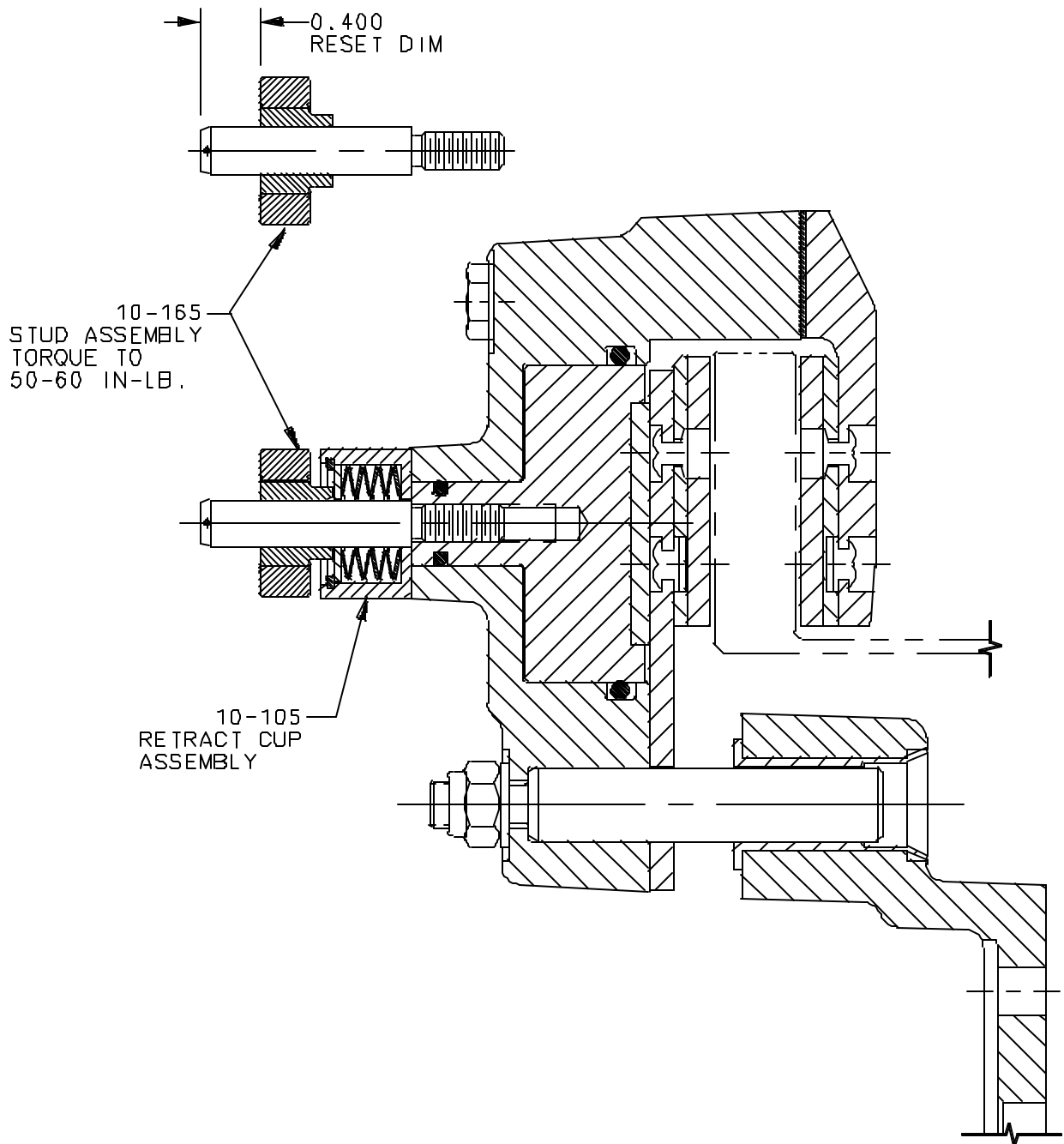
6.5.3.3 Install brakes on aircraft. Apply and release parking brake. Push cylinder inboard to its full extent. Check retract stud torque to verify adjuster pin has fully engaged the piston. Inboard force on cylinder may be required to prohibit piston rotation.

6.5.3.4 Safety wire as required.

6.5.3.5 Return aircraft to service.



30-107C / 30-107D
 Figure 5



30-107E
Figure 6

6.6 Wear limit indicator (30-107C, 30-107D, 30-107E)

The retract mechanism may be used as a visual indicator relative to brake lining pad (10-70) and brake disc (8-65) wear.

6.6.1 For brake assemblies equipped with retract stud assembly (10-135): Refer to Figure 7A.

6.6.1.1 When the bottom surface on the head of the retract stud bolt (10-155) comes within 0.025 inches of the friction sleeves (10-145, 10-150), inspection/replacement of the brake linings (10-70) and brake disc (8-65) is required. Refer to section 3. **WEAR LIMITS.**

6.6.2 For brake assemblies equipped with retract stud assembly (10-165): Refer to Figure 7B.

6.6.2.1 When the top of the friction pin (10-170) comes within 0.031 inches of the collar spring retainer/friction ring (10-180/10-175), inspection/replacement of the brake linings (10-70) and brake disc (8-65) is required. Refer to section 3. **WEAR LIMITS.**

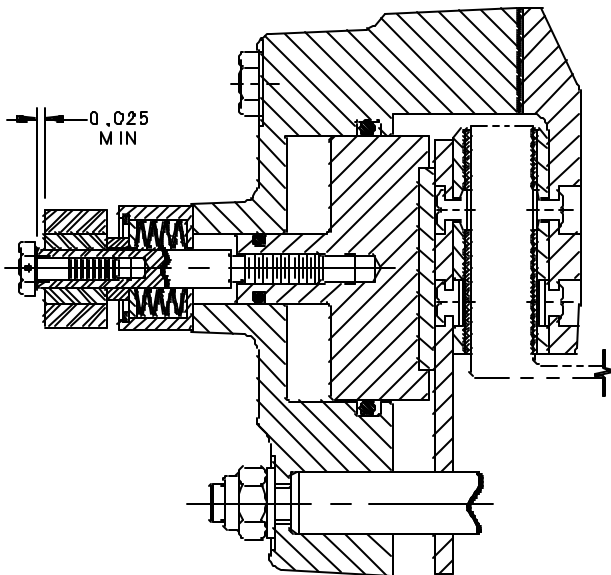


FIGURE 7A
 BRAKE ASSEMBLIES EQUIPPED WITH
 (IPL 10-135) RETRACT STUD ASSEMBLY

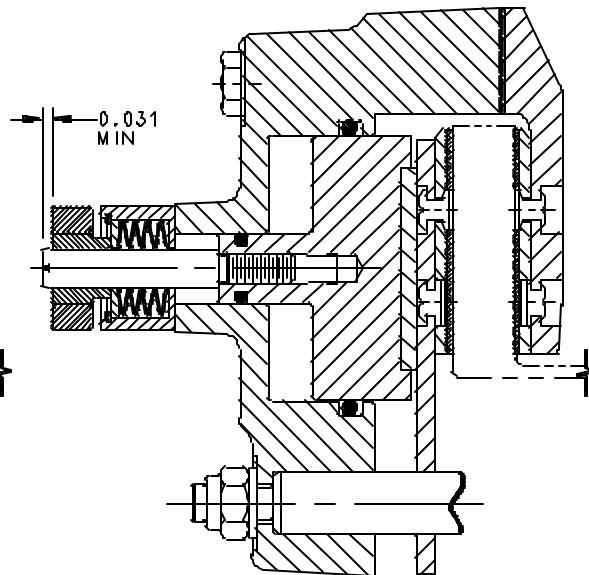


FIGURE 7B
 BRAKE ASSEMBLIES EQUIPPED WITH
 (IPL 10-165) RETRACT STUD ASSEMBLY

Wear Limit Indicator
 Figures 7A and 7B



7. ILLUSTRATED PARTS LIST

The illustrated parts list describes and illustrates the detail parts of the assembly.

All parts of the equipment are listed, except parts which lose their identities by being permanently fastened to other parts of assemblies and are not subject to disassembly.

7.1 Explanation of Columns

- 7.1.1 Figure/Item column: The figure and item numbers key the parts breakdown list to the applicable illustration. The first number represents the figure number of the illustration. The item numbers are arranged in sequence and generally reflect the order of disassembly.
- 7.1.2 Part Number column: This column contains the assigned Parker Hannifin Aircraft Wheel and Brake part number for the individual item.
- 7.1.3 Nomenclature column: This column identifies the parts being listed by noun name followed by modifiers when applicable. The indenture system used in the parts list shows the relationship of the parts to their subassemblies and to the assembly:
- 1 2 3 4
 - Assembly
 - Attaching Parts for Assembly
 - Detailed Parts for Assembly
 - Subassembly
 - Attaching Parts for Subassembly
 - Detailed Parts for Subassembly
- 7.1.4 Effect column: Shows the difference in parts within various configurations of the units or assemblies. These units or assemblies shall be assigned reference letters such as A, B, C, D, etc. Parts which are not common to all configurations, but are associated with one or more of the coded lead items, shall carry the letter or letters assigned to the lead item with which it is associated. If a part is common to all lead items, the Effect Code column shall be blank
- 7.1.5 Units Per Assembly column: This column indicates the total number required per assembly or per subassembly as applicable. These abbreviations may appear in the Units Per Assembly column:
- ARAs Required (for bulk items)
 - NPItem is Nonprocurable (listed for reference only)
 - RFReference (item listed for reference only)



7.2 Part Numbering System

Parker Hannifin Aircraft Wheel & Brake has assigned a part number to all purchased and government standard off-the-shelf parts. They are defined and used as follows:

When a purchased part is listed, the assigned Parker Hannifin AWB part number shall be used in the part number column. If required by contract or if the original manufacturer of a purchased part has FAA manufacturing approval then; the original manufacturer's part number along with the manufacturer's federal supply code will be shown in parentheses following the part nomenclature. The federal supply code will be preceded by the letter "V".

Unless otherwise specified by contract, all government standard off-the-shelf parts (such as MS, AN, NAS, etc.) will be identified by the assigned Parker Hannifin AWB part number which will be used in the part number column.

7.3 Parts Replacement Data

The interchangeability relationship between parts is identified in the Nomenclature column of the parts list. A list of the terms used to show interchangeability and their definition is as follows:

<u>Term</u>	<u>Abbreviation</u>	<u>Definition</u>
Optional	OPT	This part is optional to and interchangeable with other parts in the same item number variant group or other item number if designated.
Superseded By	SUPSD BY	The part in the part number column is replaced by and is not interchangeable with the item number shown in the notation.
Supersedes	SUPSDS	The part in the part number column replaces and is not interchangeable with the item number shown in the notation.
Replaced by By	REPLD BY	The part in the part number column is replaced by and interchangeable with the item number shown in the notation.
Replaces	REPLS	The part in the part number column replaces and is interchangeable with the item number shown in the notation.
Vendor	V	Federal Supply Code for vendors.



7.4 Items Not Illustrated

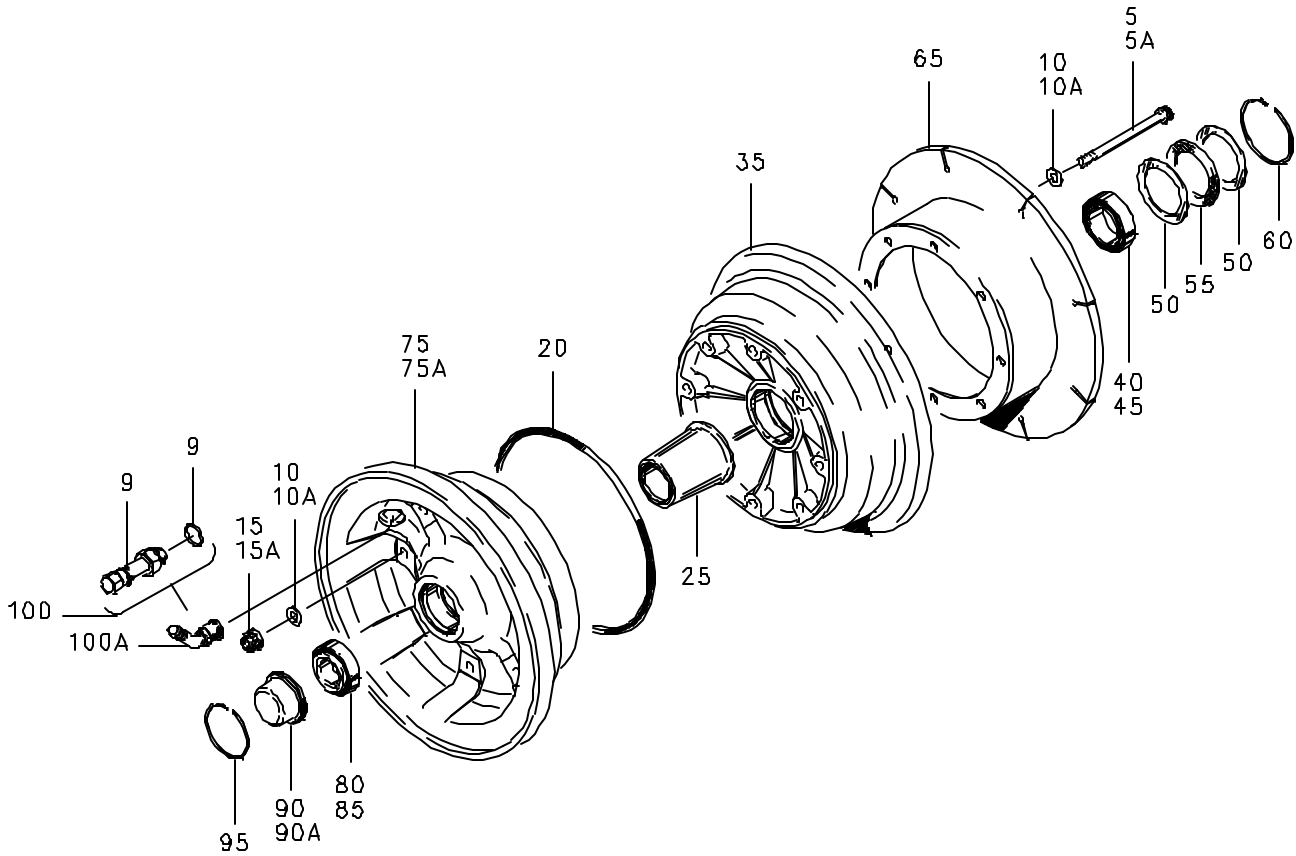
Items not illustrated are indicated by a dash (-) ahead of the item number in the Figure/Item number column.

7.5 Alpha Variant Item Numbers

Alpha variants A through Z (except I and O) are assigned to existing numbers when necessary to show:

- (1) Added items
- (2) Modification or configuration differences
- (3) Optional parts

Alpha variant item numbers are not shown on the exploded view when the appearance and location of the alpha variant item is the same as the basic item.



Main Wheel Assembly
40-107 / 40-107A
IPL Figure 8



MM40-107/30-107 COMPONENT MAINTENANCE MANUAL WITH IPL
 FOR MAIN WHEEL ASSEMBLY PART NO. 40-107 SERIES AND
 MAIN BRAKE ASSEMBLY PART NO. 30-107 SERIES

8. DETAILED PARTS LIST – MAIN WHEEL (40-107, 40-107A)

FIG. ITEM	PART NUMBER	NOMENCLATURE 1 2 3 4 5 6 7	EFFECT CODE	UNITS PER ASSY.
8 -1	40-107 (1)	MAIN WHEEL ASSEMBLY (SUPSD BY 40-107A)	A	RF
8 -1A	40-107A (1)	MAIN WHEEL ASSEMBLY (SUPSDS 40-107)	B	RF
		WHEEL ATTACHING PARTS		
5	103-31000	BOLT (AN6-40A)	A	8
5A	103-32500	BOLT (MS21250-06056)	B	8
10	095-10600	WASHER (AN960-616)	A	16
10A	095-03100	WASHER (MS20002C6)	B	16
15	094-10400	NUT (MS21044-N5)	A	8
15A	094-15800	NUT (NAS1804-6N))	B	8
		* * *		
20	101-24100	. O-RING		1
25	067-04100	. SPACER		1
- 30	161-07600	. ASSEMBLY, WHEEL HALF, INBOARD		1
35	151-07200	. . WHEEL HALF, INBOARD		1
40	214-01300	. . CUP, BEARING		1
45	214-01400	. CONE, BEARING, INBOARD		1
50	153-01600	. RING, GREASE SEAL		2
55	154-01600	. FELT, GREASE SEAL		1
60	155-00100	. RING, SNAP, INBOARD		1
65	164-07200	. DISC		1
- Item Not Illustrated				
(1) Wheel qualified for usage with the following tires: 8.50-10, 10 ply; tubeless. 24 x 7.7, 16 ply, tubeless (90 PSI max. inflation).				



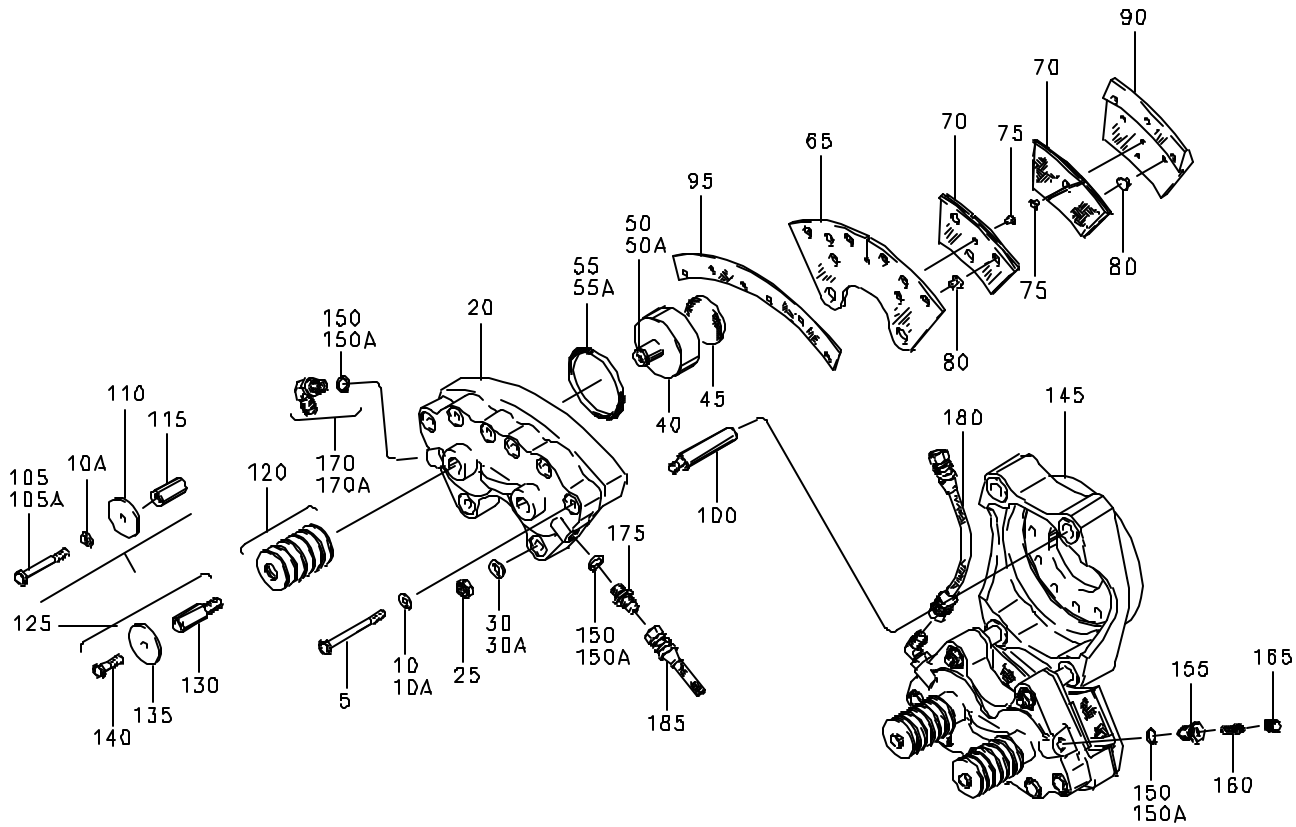
MM40-107/30-107 COMPONENT MAINTENANCE MANUAL WITH IPL
FOR MAIN WHEEL ASSEMBLY PART NO. 40-107 SERIES AND
MAIN BRAKE ASSEMBLY PART NO. 30-107 SERIES

**THIS PAGE
INTENTIONALLY
LEFT BLANK**



MM40-107/30-107 COMPONENT MAINTENANCE MANUAL WITH IPL
 FOR MAIN WHEEL ASSEMBLY PART NO. 40-107 SERIES AND
 MAIN BRAKE ASSEMBLY PART NO. 30-107 SERIES

FIG. ITEM	PART NUMBER	NOMENCLATURE						EFFECT CODE	UNITS PER ASSY.
		1	2	3	4	5	6		
- 70	162-07100	.	ASSEMBLY,	WHEEL	HALF,	OUTBOARD	A	1	
- 70A	162-09100	.	ASSEMBLY,	WHEEL	HALF,	OUTBOARD	B	1	
75	152-07100	.	WHEEL	HALF,	OUTBOARD		A	1	
75A	152-09400	.	WHEEL	HALF,	OUTBOARD		B	1	
80	214-03400	.	CUP,	BEARING				1	
85	214-01000	.	CONE,	BEARING,	OUTBOARD			1	
90	158-00800	.	CAP,	HUB			A	1	
90A	158-01900	.	CAP,	HUB			B	1	
95	155-00600	.	RING,	SNAP,	OUTBOARD			1	
100	160-00900	.	ASSEMBLY,	AIR	VALVE		A	1	
100A	160-01100	.	ASSEMBLY,	AIR	VALVE		B	1	
- Item Not Illustrated									



Main Brake Assembly
30-107 / 30-107A / 30-107B
IPL Figure 9



MM40-107/30-107 COMPONENT MAINTENANCE MANUAL WITH IPL
 FOR MAIN WHEEL ASSEMBLY PART NO. 40-107 SERIES AND
 MAIN BRAKE ASSEMBLY PART NO. 30-107 SERIES

9. DETAILED PARTS LIST – MAIN BRAKE (30-107, 30-107A, 30-107B)

FIG. ITEM	PART NUMBER	NOMENCLATURE 1 2 3 4 5 6 7	EFFECT CODE	UNITS PER ASSY.
9 -1	30-107	MAIN BRAKE ASSEMBLY (SUPSD BY 30-107C)	A	RF
9 -1A	30-107A (1)	MAIN BRAKE ASSEMBLY (SUPSD BY 30-107D)	B	RF
9 -1B	30-107B	MAIN BRAKE ASSEMBLY (SUPSD BY 30-107C)	C	RF
		BRAKE ATTACHING PARTS		
5	103-14500	BOLT (ABP4-24AM)		12
10	095-10400	WASHER (AN960-416)	AC	12
10A	095-10200	WASHER (AN960-416L)	AB	16
		* * *		
- 15	091-11400	ASSEMBLY, CYLINDER	A	1
- 15A	091-09900	ASSEMBLY, CYLINDER	B	1
- 15B	091-14100	ASSEMBLY, CYLINDER	C	1
20	061-09000	. CYLINDER		2
25	094-10400	. NUT (MS21044-N5)		4
30	095-10500	. WASHER (AN960-516)	AC	4
30A	095-10700	. WASHER (AN960-516L)	B	4
- 35	092-04500	. PISTON ASSEMBLY	AC	4
- 35A	092-04800	. PISTON ASSEMBLY	B	4
40	062-04700	. . PISTON		4
45	088-00100	. . INSULATOR		4
50	101-24900	. . O-RING	AC	4
50A	101-25000	. . O-RING	B	4
55	101-24200	. O-RING	AC	4
55A	101-24500	. O-RING	B	4
- Item Not Illustrated				
(1) Uses Skydrol fluid.				



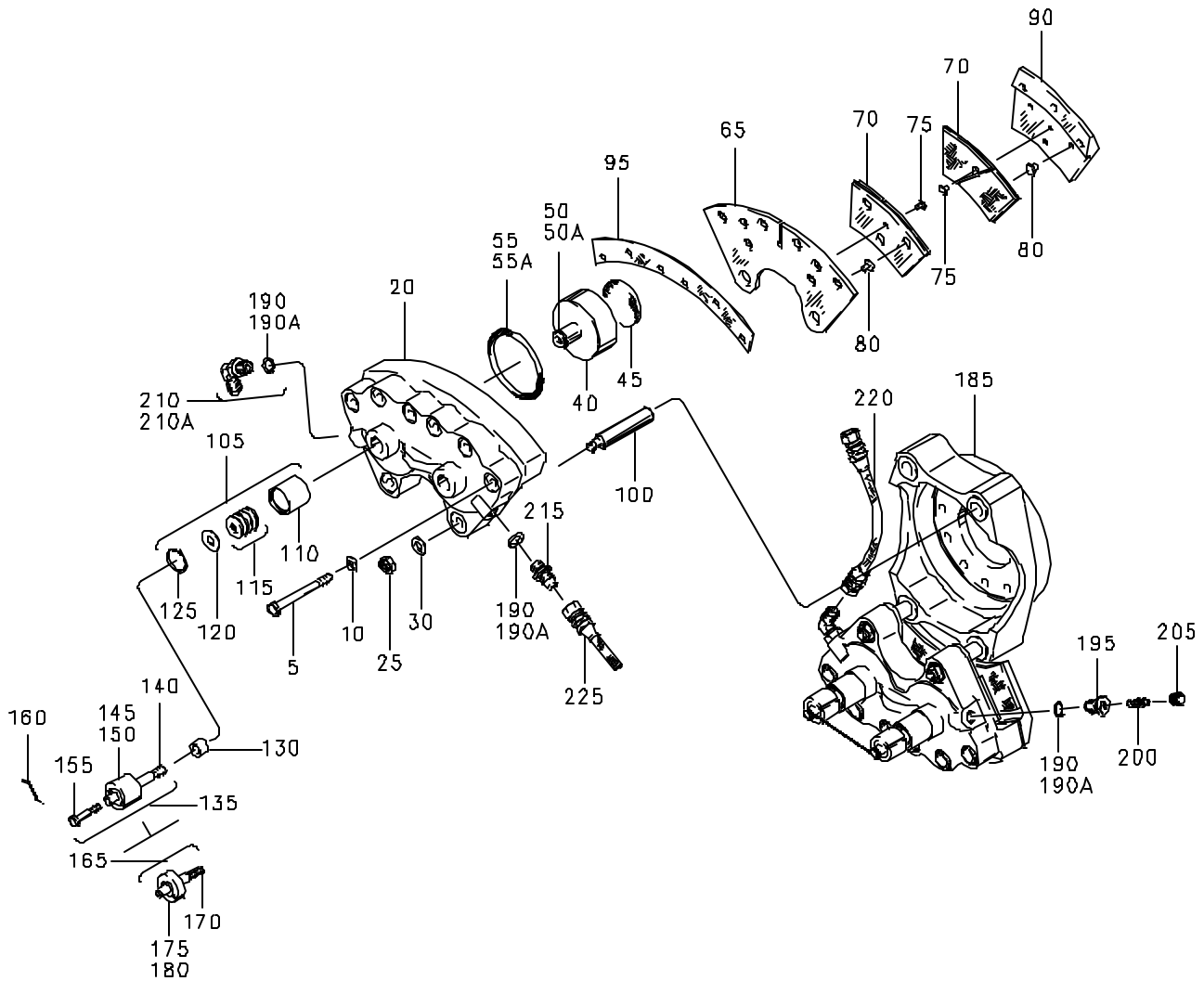
MM40-107/30-107 COMPONENT MAINTENANCE MANUAL WITH IPL
 FOR MAIN WHEEL ASSEMBLY PART NO. 40-107 SERIES AND
 MAIN BRAKE ASSEMBLY PART NO. 30-107 SERIES

FIG. ITEM	PART NUMBER	NOMENCLATURE						EFFECT CODE	UNITS PER ASSY.
		1	2	3	4	5	6		
- 60	073-06200	.	ASSEMBLY, PLATE, PRESSURE						2
65	063-03500	.	. PLATE, PRESSURE						1
70	066-09000	.	. LINING						2
75	105-00200	.	. RIVET						2
80	177-01600	.	. PIN						6
- 85	074-04700	.	ASSEMBLY, PLATE, BACK						4
90	063-03500	.	. PLATE, BACK						1
70	066-09000	.	. LINING						1
75	105-00200	.	. RIVET						1
80	177-01600	.	. PIN						3
95	068-03300	.	SHIM, INSULATOR						4
100	069-01200	.	BOLT, ANCHOR						4
105	103-11500	.	BOLT				AB		4
105A	103-15300	.	BOLT				C		4
110	095-16900	.	WASHER						4
115	200-01300	.	GUIDE, SPRING						4
120	095-16800	.	SPRING, DISC				AB		56
							C		44
125	110-04900	.	ASSEMBLY, STUD (SUPSD BY Items 10A [30-107 & -107A only] 105 or 105A, 110, 115)						NP
130	139-05500	.	. STUD						NP
135	095-16900	.	. WASHER						NP
140	103-10100	.	. BOLT (AN4H-5A)						NP
145	075-13400	.	ASSEMBLY, PLATE, TORQUE						1
- Item Not Illustrated									



MM40-107/30-107 COMPONENT MAINTENANCE MANUAL WITH IPL
 FOR MAIN WHEEL ASSEMBLY PART NO. 40-107 SERIES AND
 MAIN BRAKE ASSEMBLY PART NO. 30-107 SERIES

FIG. ITEM	PART NUMBER	NOMENCLATURE						EFFECT CODE	UNITS PER ASSY.
		1	2	3	4	5	6		
150	101-24600	.	O-RING					AC	4
150A	101-23000	.	O-RING					B	4
155	081-00200	.	SEAT, BLEEDER						1
160	079-00300	.	SCREW, BLEEDER						1
165	183-00100	.	CAP, BLEEDER						1
170	104-03100	.	ASSEMBLY, FITTING					AC	2
170A	104-05500	.	ASSEMBLY, FITTING					B	2
175	104-04900	.	FITTING, INLET						1
180	207-01100	.	ASSEMBLY, HOSE, LINK						1
185	207-01300	.	ASSEMBLY, HOSE, INLET						1
– Item Not Illustrated									



Main Brake Assembly
30-107C / 30-107D / 30-107E
IPL Figure 10



MM40-107/30-107 COMPONENT MAINTENANCE MANUAL WITH IPL
 FOR MAIN WHEEL ASSEMBLY PART NO. 40-107 SERIES AND
 MAIN BRAKE ASSEMBLY PART NO. 30-107 SERIES

10. DETAILED PARTS LIST – MAIN BRAKE (30-107C, 30-107D, 30-107E)

FIG. ITEM	PART NUMBER	NOMENCLATURE 1 2 3 4 5 6 7	EFFECT CODE	UNITS PER ASSY.
10 -1	30-107C	MAIN BRAKE ASSEMBLY (SUPSDS 30-107 and 30-107B)	A	RF
10 -1A	30-107D (1)	MAIN BRAKE ASSEMBLY (SUPSDS 30-107A)	B	RF
10 -1B	30-107E	MAIN BRAKE ASSEMBLY BRAKE ATTACHING PARTS	C	RF
5	103-14500	BOLT (ABP4-24AM)		12
10	095-10400	WASHER (AN960-416)		12
		* * *		
- 15	091-16600	ASSEMBLY, CYLINDER	A	1
- 15A	091-17000	ASSEMBLY, CYLINDER	B	1
- 15B	091-22000	ASSEMBLY, CYLINDER, LEADING	C	1
- 15C	091-22001	ASSEMBLY, CYLINDER, TRAILING	C	1
20	061-09000	. CYLINDER		2
25	094-10400	. NUT (MS21044-N5)		4
30	095-10500	. WASHER (AN960-516)	AC	4
- 35	092-04500	. PISTON ASSEMBLY	AC	4
- 35A	092-04800	. PISTON ASSEMBLY	B	4
40	062-04700	. . PISTON		4
45	088-00100	. . INSULATOR		4
50	101-24900	. . O-RING	AC	4
50A	101-25000	. . O-RING	B	4
55	101-24200	. O-RING	AC	4
55A	101-24500	. O-RING	B	4
- 60	073-06200	. ASSEMBLY, PLATE, PRESSURE		2
65	063-03500	. . PLATE, PRESSURE		1
- Item Not Illustrated				
(1) Uses Skydrol fluid.				



MM40-107/30-107 COMPONENT MAINTENANCE MANUAL WITH IPL
 FOR MAIN WHEEL ASSEMBLY PART NO. 40-107 SERIES AND
 MAIN BRAKE ASSEMBLY PART NO. 30-107 SERIES

FIG. ITEM	PART NUMBER	NOMENCLATURE	EFFECT CODE	UNITS PER ASSY.
70	066-09000	. . LINING		2
75	105-00200	. . RIVET		2
80	177-01600	. . PIN		6
- 85	074-04700	. ASSEMBLY, PLATE, BACK		4
90	063-03500	. . PLATE, BACK		1
70	066-09000	. . LINING		1
75	105-00200	. . RIVET		1
80	177-01600	. . PIN		3
95	068-03300	. SHIM, INSULATOR		4
100	069-01200	. BOLT, ANCHOR		4
105	139-13300	. ASSEMBLY, CUP, RETRACT		4
110	139-13400	. . CUP, RETRACT		4
115	095-03700	. . SPRING, DISC		32
120	095-03600	. . WASHER		4
125	155-08200	. . RING, SNAP		4
130	067-08000	. SPACER	AB	4
135	139-13100	. ASSEMBLY, STUD, RETRACT	AB	4
140	139-12900	. . STUD, RETRACT	AB	4
145	139-12800	. . SLEEVE, FRICTION	AB	4
150	139-12700	. . SLEEVE, FRICTION	AB	4
155	103-01300	. . BOLT	AB	4
160	139-16600	. LOCKWIRE (MS20995-C32)		AR
165	111-11600	. ASSEMBLY, STUD, RETRACT	C	4
170	177-04400	. . PIN, FRICTION	C	4
175	203-00500	. . RING, FRICTION	C	4
180	200-02300	. . COLLAR, SPRING RETAINER	C	4
- Item Not Illustrated				



MM40-107/30-107 COMPONENT MAINTENANCE MANUAL WITH IPL
 FOR MAIN WHEEL ASSEMBLY PART NO. 40-107 SERIES AND
 MAIN BRAKE ASSEMBLY PART NO. 30-107 SERIES

FIG. ITEM	PART NUMBER	NOMENCLATURE						EFFECT CODE	UNITS PER ASSY.
		1	2	3	4	5	6		
185	075-13400	.	ASSEMBLY, PLATE, TORQUE						1
190	101-24600	.	O-RING				AC		4
190A	101-23000	.	O-RING				B		4
195	081-00200	.	SEAT, BLEEDER						1
200	079-00300	.	SCREW, BLEEDER						1
205	183-00100	.	CAP, BLEEDER						1
210	104-03100	.	ASSEMBLY, FITTING				AC		2
210A	104-05500	.	ASSEMBLY, FITTING				B		2
215	104-04900	.	FITTING, INLET						1
220	207-01100	.	ASSEMBLY, HOSE, LINK						1
225	207-01300	.	ASSEMBLY, HOSE, INLET						1
– Item Not Illustrated									

Cleveland

Wheels & Brakes

Parker Hannifin Corporation

Aircraft Wheel & Brake

1160 Center Road, P.O. Box 158

Avon, Ohio 44011 USA

1-800-BRAKING (272-5464)

216-937-1272 • FAX 216-937-5409

PRODUCT REFERENCE MEMO

INSTALLATION OF SELF-ADJUSTING RETRACT MECHANISM ON 30-107 AND 30-107B BRAKE ASSEMBLIES

1. Chock main and nose wheel tires.
2. Set parking brake and apply a slight amount of pressure to brakes.
3. WHILE WEARING SAFETY GLASSES carefully loosen the bolt which retains the existing retract springs to the back of the hydraulic pistons. (Typically 8 places.) Remove and discard all parts.
4. Release parking brake.
5. Remove hydraulic feed line to brake assembly and cap.
6. Remove the 24 bolts which attach the back plates to the brake cylinders and remove brakes from aircraft.
7. Screw one of the back plate attachment bolts into each piston in succession and, with hand pressure, push each piston out of the brake cylinders. (MARK EACH PISTON AND BORE TO ENABLE CORRECT RE-ASSEMBLY.)
8. Remove o-rings from cylinder bores and pistons and discard.
9. Thoroughly clean cylinders and pistons using available solvent applicable to aluminum.
10. Special attention should be given to the piston bores and pistons.
 - A. Piston bores and o-ring grooves should have foreign material loosened and flushed from all surfaces. (The large diameter piston bore and o-ring groove should not be polished with any abrasive material.)
 - B. The small diameter of the piston bore may be polished with steel wool or fine emery, but the finished diameter shall not exceed .565 minimum.
 - C. The piston (large diameter) may be polished to remove shallow wear scratches and/or nicks. The final piston diameter, however, must not be smaller than 2.121 inch.
 - D. Any prior rework to the above mentioned components which places them outside of the dimensional limits defined, requires replacement of those components.



PRODUCT REFERENCE MEMO

11. Following cleaning and inspection of the cylinders and pistons, install the new o-ring supplied in the kit.
12. Lubricate the piston bores, o-rings and pistons with hydraulic fluid compatible with the aircraft system.
13. Lay the cylinder on a firm surface and insert piston into bore until o-rings prohibit further insertion. While applying pressure with your thumbs, rotate the piston in a clockwise direction. After o-ring squeeze is overcome, the piston will slide freely into the bore. Push piston flush to cylinder face. (Repeat 8 places.)
14. Install cylinders on aircraft.
15. Install washers and cylinder tie bolts into cylinders. (Typically 24 places.)
16. Install (1) one insulator shim onto brake cylinder.

CAUTION: The brake may have had two (2) shims per cylinder installed at disassembly, re-assembly, however, with the new retract mechanisms, require that only one shim be used. The additional shims may be saved and used as future replacements should one become damaged.

17. Install back plates and tighten (24 each) cylinder tie bolts. FINAL TORQUE 85-90 IN-LB.
18. Reattach hydraulic feed line and bleed brakes.
19. With parking brake off, install new retract mechanism into the back of each piston. Screw in by hand, making sure that the stud bottoms on the piston tail surface. FINAL TORQUE 30-40 IN-LB.

REFER TO DRAWING IN KIT FOR CORRECT PARTS SEQUENCING.

20. Safety wire studs.
21. Apply decals supplied in kit (one per brake assembly) for re-identification.